

Parts Manual

Generator Set

QSB5-G5, QSB5-G6, and QSB5-G13 Engine with
PowerCommand[®] 2.3 and 1.1 Controls

C50D6C (Spec A–B)

C60D6C (Spec A–B)

C80D6C (Spec A–B)

C100D6C (Spec A–B)

C125D6C (Spec A)

Table of Contents

Description	Page
Safety Precautions	2
About This Manual	3
Quick Serve Online (QSOL)	4
Related Literature	4
Model Identification	5
Abbreviations	6
Labels	8
Consumables	10
Service Consumables	10
Paint and Thread Sealant	10
Engine	12
Engine Accessories	12
Air Cleaner	20
Coolant Heater	26
Cooling System	30
Fan Guard	32
Low Coolant Sender	33
Alternator	37
Alternator Heater	42
PMG	46
Chassis	48
Battery Tray	53
Fuel Tank	55
Enclosure	68
Control	91
Control Box	94
Circuit Breakers	124
Current Transformer	145
Enclosure (Winterized Units)	152
Battery	174
Battery Charger Kit	175
Battery Heater Kit	176

Safety Precautions

The following symbols are used in Cummins manuals to alert users to the potentially dangerous conditions relating to maintenance of equipment and replacement of parts. Please read and observe.



This symbol warns of immediate hazards which will result in severe personal injury or death.



This symbol refers to a hazard or unsafe practice which can result in severe personal injury or death.



This symbol refers to a hazard or unsafe practice which can result in severe personal injury or product or property damage.

Product Safety Precautions

Before operating the generator set, read the manuals and become familiar with them and the equipment. Safe and efficient operation can be achieved only if the equipment is properly operated and maintained. Many accidents are caused by failure to follow fundamental rules and precautions.



Note:

It is in the Operator's interest to read and understand all Health and Safety information together with all Warnings and Cautions contained within the documentation relevant to the generator set, its operation and daily maintenance.



Improper operation and maintenance can lead to severe personal injury or loss of life and property by fire, electrocution, mechanical breakdown or exhaust gas asphyxiation. Read and follow all safety precautions in the health and safety manual 0908–0110.



Service and repair of Cummins equipment must be performed by trained, experienced personnel only. Improper service, repair or replacement of parts may result in damage to equipment & property, severe personal injury or death. Do not use this catalog as a guide to servicing your equipment. Read and follow the IMPORTANT SAFETY INSTRUCTIONS in the Service Manual appropriate for the equipment you are working on.



Contact with USED ENGINE OILS has been identified by a United States federal agency and some USA state agencies as causing CANCER or REPRODUCTIVE TOXICITY. When checking or changing engine oils take all necessary precautions not to ingest, breathe the fumes or contact the used oil.



Contact with ASBESTOS has been identified by a United States federal agency and some USA state agencies as causing CANCER or REPRODUCTIVE TOXICITY. When handling engine gaskets take all necessary precautions not to ingest, breathe or contact the dust from the gaskets! Use adequate ventilation and wear protective gloves, masks and clothing!



Contact with BENZINE and LEAD, found in gasoline, fuel additives and solvents has been identified by a United States federal agency and some USA state agencies as causing CANCER or REPRODUCTIVE TOXICITY. When checking, draining or adding gasoline and fuel additives or using solvents take all necessary precautions not to ingest, breathe the fumes or contact the liquids. Use adequate ventilation and wear protective gloves, masks and protective clothing!

About This Manual

This manual applies to the generator models C50D6C – C125D6C. Parts illustrations are arranged in groups relating to their position and function on the generator set. Each part illustrated is identified by a reference number corresponding to the list of part numbers in the accompanying table.

Engine and alternator parts that have been modified or added by Cummins are identified in this manual. Contact your nearest authorized distributor for assistance in ordering replacement parts. All other replacement parts must be ordered from the engine/alternator manufacturer by referring to the item nameplate and supplying all available information.

Cummins Generator Model	Cummins Engine Model
C50D6C	QSB5–G5 (Spec A), QSB5–G13 (Spec B)
C60D6C	QSB5–G5 (Spec A), QSB5–G13 (Spec B)
C80D6C	QSB5–G5 (Spec A), QSB5–G13 (Spec B)
C100D6C	QSB5–G5 (Spec A), QSB5–G13 (Spec B)
C125D6C	QSB5–G6

Generator Set Data Table

Model and Specification	Electrical Data				Battery Voltage
	Watts	Volts	Hertz	Phase	
C50D6C/*	50,000	#	60	1, 3	12VDC
C60D6C/*	60,000	#	60	1, 3	12VDC
C80D6C/*	80,000	#	60	1, 3	12VDC
C100D6C/*	100,000	#	60	1, 3	12VDC
C125D6C/*	125,000	#	60	1, 3	12VDC

* – The diagonal line (/) in the model and specification number separates generator set characteristics from the specification number and letter. The specification number denotes customer requested options or deviations from the standard model. The specification letter advances (A to B, B to C, etc.) with major manufacturing changes.

– 120–600V (Refer to Genset Data Sheet).

Quick Serve Online (QSOL)

Documentation and operator manuals pertaining to the generator set are available on QuickServe Online.

QuickServe Online: <https://quickserve.cummins.com/info/index.html>

The information contained within this manual is based on information available at the time of going to print. In line with Cummins policy of continuous development and improvement, information may change at any time without notice. Obtain the most up to date version available on QuickServe Online or contact your authorized distributor for assistance.

Related Literature

The related literature that is appropriate to your generator set includes:

- Installation Manual for QSB5 Engine with PC1.1/2.3 Control (A055H194)
- Operator Manual for QSB5 Engine with PC2.3 Control (A055H195)
- Operator Manual for QSB5 Engine with PC1.1 Control (A061C651)
- Health and Safety Manual (A007W058 [0908–0110–00])
- Warranty Administration Manual (4021290)
- Global Commercial Warranty Statement (A028U870)
- Generator Set Service Manual for QSB5 Engine with PC1.1 Control (A061C653)
- Generator Set Service Manual for QSB5 Engine with PC2.3 Control (A055H196)
- Standard Repair Times (A055J390)
- Recommended Spares List (RSL) for each model:
 - C50D6C (A054H261)
 - C60D6C (A054H263)
 - C80D6C (A054H265)
 - C100D6C (A055J379)
 - C125D6C (A055J386)

If further information is required, contact your authorized distributor.

Model Identification

This manual covers generator set models produced under the Cummins brand name.

To avoid errors or delay in filling your parts order, always state the MODEL and SERIAL NUMBER from the Cummins nameplate.

Model No. [REDACTED]			
Serial No. [REDACTED]		Spec. [REDACTED]	
FREQUENCY: 60 HZ			
SERVICE RATING:			
PHASE: 3PH 3PH			
RATED KW:			
POWER FACTOR: 0.8 0.8			
RATED KVA:			
12 CAPABILITY:			
CONNECTIONS:			
BATTERY: VOLTS AMPS AMPS			
VDC 2400			
2400/4160			
ROTATING			
SPEED:			
1800RPM			
NOMINAL			
RATED			
FUEL:			
WIRING DIAGRAM:			

The engine serial number is located on a data tag on the engine or is stamped on the engine block.

The control software number is located on the electronic control module (ECM) or can be obtained via the digital interface if one is available.

For reference document your generator set information in the spaces below.

Generator Set Model Number: _____

Generator Set Serial Number: _____

Generator Spec Letter: _____

Engine Serial Number: _____

Digital Control Software: _____

Abbreviations

Some of the following abbreviations may be used throughout this Parts Manual:

AC	Alternating Current	LED	Light-Emitting Diode
ACB	Air Circuit Breaker	LTP	Limited Time Power Rating
ACH	Anti-Condensations Heaters	LTA	Low Temperature Aftercooling
ATS	Automatic Transfer Switch	LV	Low Voltage
Amp	Ampere	M	Meter
A/R	As Required	MCB	Miniature Circuit Breaker
AVR	Automatic Voltage Regulator	MCCB	Moulded Case Circuit Breaker
AWG	American Wire Gauge	MF	Mains Failed
BHP	Brake Horsepower	MFSS	Master First Start Sensor
BMS	Building Measurement System	mm	Millimeter
BST	Busbar Sensing Transformer	MOH	Mobile Off Highway
CAN	Controlled Area Network	MR	Mains Returned
CB	Circuit Breaker	MST	Mains Sensing Transformer
CCA	Cold Cranking Amps	MSU	Mains Sensing Unit
CHP	Combined Heat and Power	MV	Medium Voltage
COP	Continuous Power Rating	NEC	Neutral Earthing Contact
CT	Current Transformer	NFS	Not For Sale
		NPT	National Pipe Thread
dB(A)	Unit of noise level	OD	Outside Diameter
DC	Direct Current	oz.	Ounce
Deg	Degree	PC	PowerCommand 3.3
DIP	Dual In-line Package	PC	Printed Circuit
DMC	Digital Master Control	PF	Power Factor
DMSU	Demand Load Standby Unit	Ph	Phase
ECM	Engine Control Module	PFC	Power Factor Controller
EFC	Electronic Fuel Control	PLC	Programmable Logic Controller
EIT	External/Internal Tooth	PMG	Permanent Magnet Generator
EMCU	Engine Monitoring and Control Unit	PRP	Prime Power Rating
EMF	Electromotive Force	PSU	Power Supply Unit
EPROM	Erasable Programmable Read Only Memory	PT/CT	Potential Transformer/Current Transformer
EPU	Engine Protection Unit	PTC	Power Transfer Control
ET	External Tooth	QCC	Quadrature Current Control
FAE	Full Authority Engine	RFI	Radio Frequency Interference
FSS	First Start Sensor	RMS	Root Mean Square
GCP	Generator Control Panel	RPM	Revolutions Per Minute
GFI	Ground Fault Interrupter	RT	Right
GKWT	Global Kilowatt Transducer	RTD	Resistance Temperature Detector
HMI	Human/Machine Interface	Spec	Specification
HV	High Voltage	Thk	Thick
IC	Integrated Circuit	UL	Underwriters Laboratories Inc.
ID	Inside Diameter	UNC	Union National Coarse
IEC	International Electrotechnical Commission	UNF	Union National Fine
I/O	Input / Output	V	Volts
IT	Internal Tooth	VAC	Volts, Alternating Current
kVA	Apparent Power	VCB	Vacuum Circuit Breaker
kVAR	Reactive Power	VDC	Volts, Direct Current
kW	Active / Real Power (Kilowatt)	VF	Volt-free
kWh	Unit of electrical energy or work	VT	Voltage Transformer
LPG	Liquid Petroleum Gas	W/(ET, IT, EIT)	With
LT	Left		

This page is Intentionally blank.

Labels

1

2

3

4

5

6

7

8

9

10

11

12

13

14

15

16

17

18

19

20

Labels

Item	Part No.	Description	Qty
1	A044M619	Label, Information	4
2	A043M499	Label, Marking	2
3	A048G927	Label, Warning	3
4	A044Y564	Label, Warning	1
5	A044F254	Label, Warning	1
6	A048G921	Label, Warning	1
7	A048G929	Label, Warning	1
8	A048G925	Label, Caution	1
9	A044M633	Label, Information	1
10	A048G912	Label, Warning	2
11	A048G915	Label, Warning	A/R
12	A048G917	Label, Caution	4
13	A048G919	Label, Warning	1
14		Label, Logo	
	A050H226	White Ink (570mm x 198mm)	2
	A050H196	Black Ink (570mm x 198mm)	2
15	A052U299	Label, Warning	2
16	A048G923	Label, Danger	1
17	A061M241	Label, Warning	1
18		Label, Logo	
	A056X638	190mm x 190mm	2
	A056Z310	155mm x 155mm	1
19	A058F810	Label, Information	1
20	A061M241	Label, Warning	1

Consumables

The following is a list of consumables associated with the generator models covered in this manual:

Service Consumables

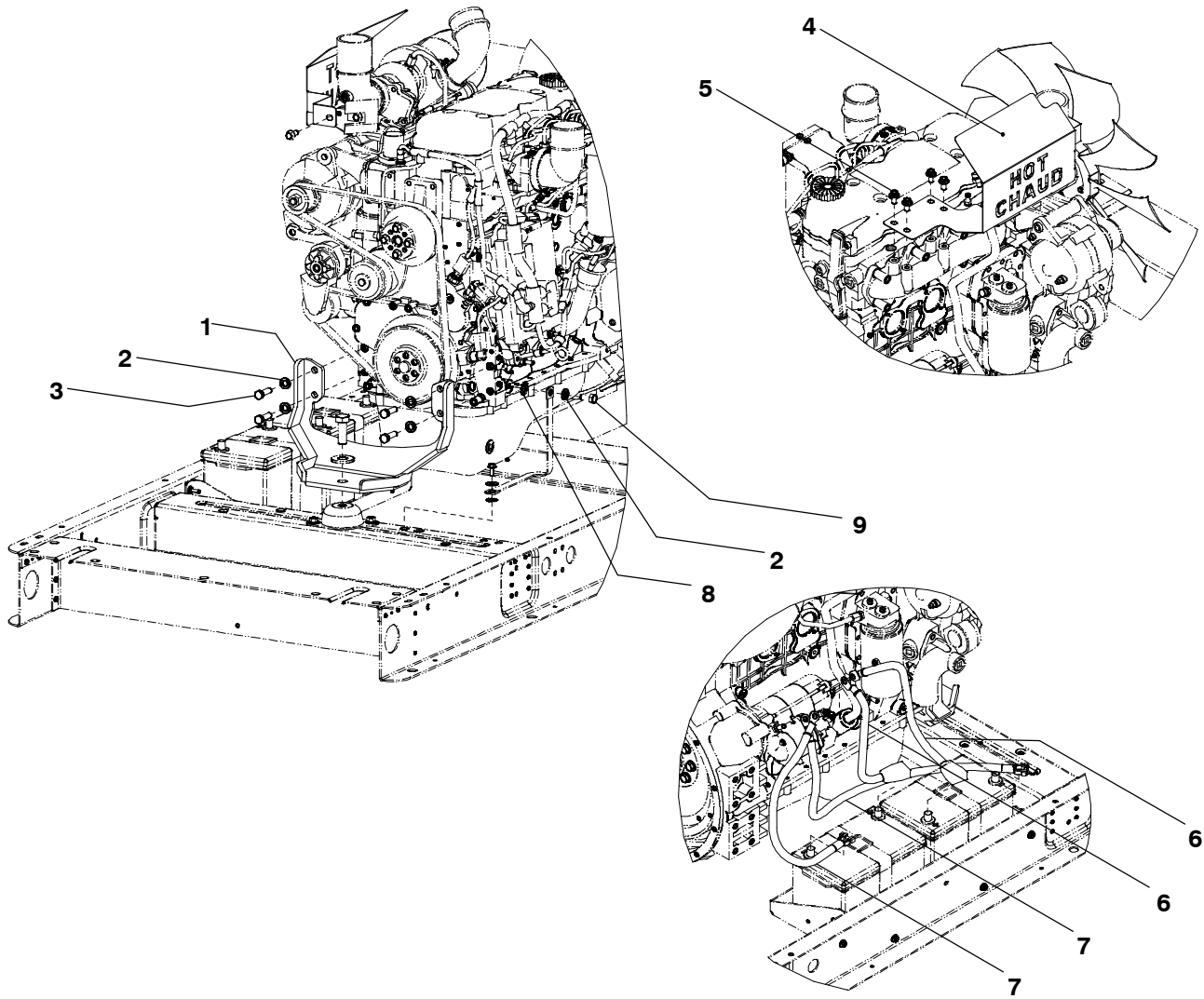
Part No.	Description	Qty
A047K704	Filter, Air (HD)	1
A047M180	Filter, Air (ND)	1
0524-0668	Oil, Lubricating	2.91 Gallon

Paint and Thread Sealant

Part No.	Description	Qty
518-0601	Sealant, Thread (6 ml Tube)	n/a

This page is Intentionally blank.

Engine Engine Accessories (Illustration #1)

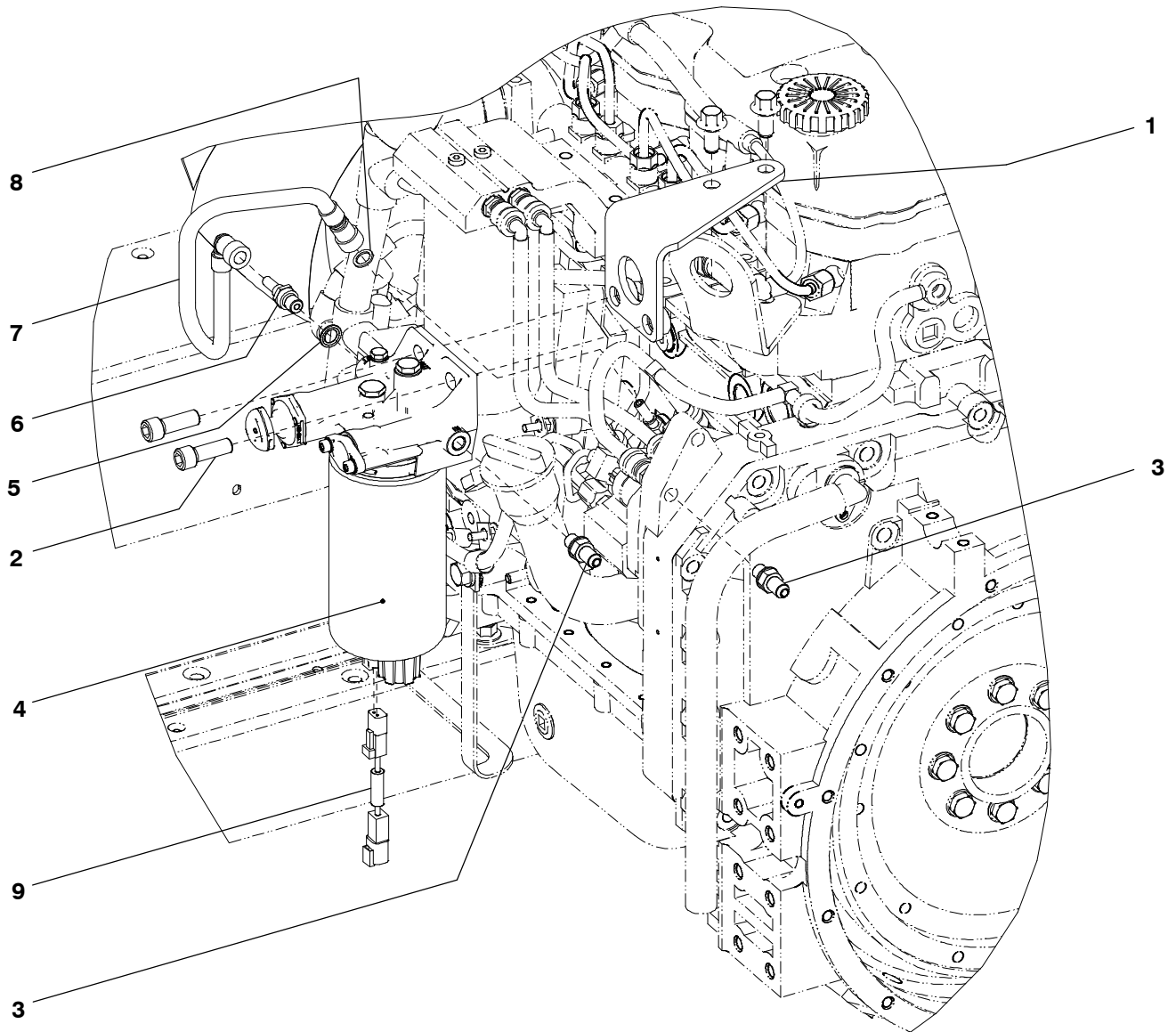


**Engine
 Engine Accessories
 (Illustration #1)**

Item	Part No.	Description	Qty
1	A052Z449	Mount, Engine	1
2	0526-0399-64	Washer, Flat	4
3	0800-3017-56	Screw, Hex Head	4
4	A050T808	Shield, Heat	1
5	A029G217	Screw, Hex Flange Head	4
6	A048S513	Lead, Battery	2
7	0416-1104	Cable, Electrical	2
8	0856-0013	Washer, Lock	1
9	0860-2008	Nut, Hex	1
10	0526-0399-60	Washer, Flat	1
	A052K611	Engine – QSB5-G6 NR3 (C125 D6C)	1
	A053M376	Engine – QSB5-G5 NR3 (C50 D6C, C60 D6C, C80 D6C, C100 D6C) – Spec A	1
	A059F868	Engine – QSB5-G13 NR3 (C50 D6C, C60 D6C, C80 D6C, C100 D6C) – Begin Spec B	1

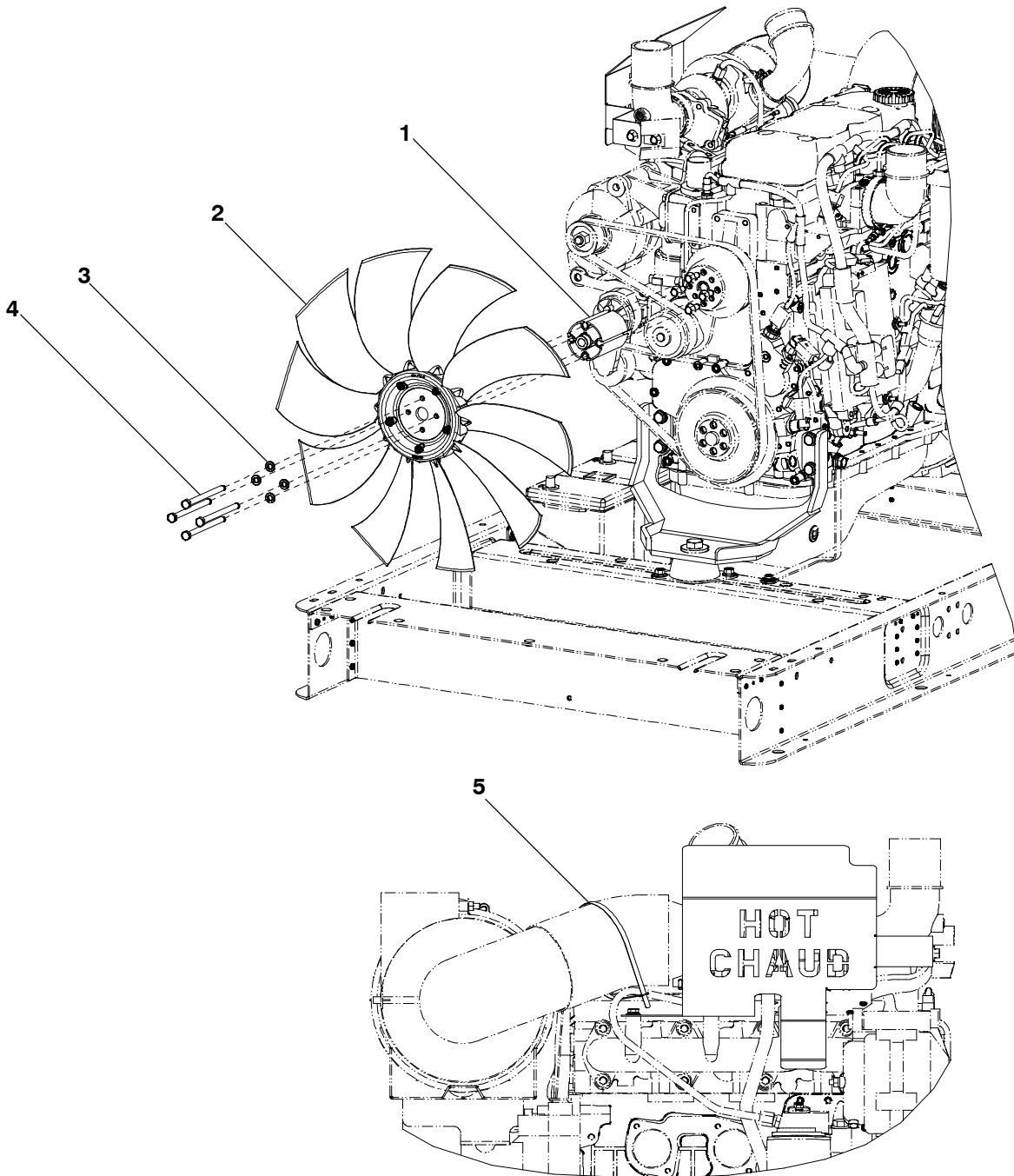
This page is Intentionally blank.

Engine Accessories (Illustration #2)



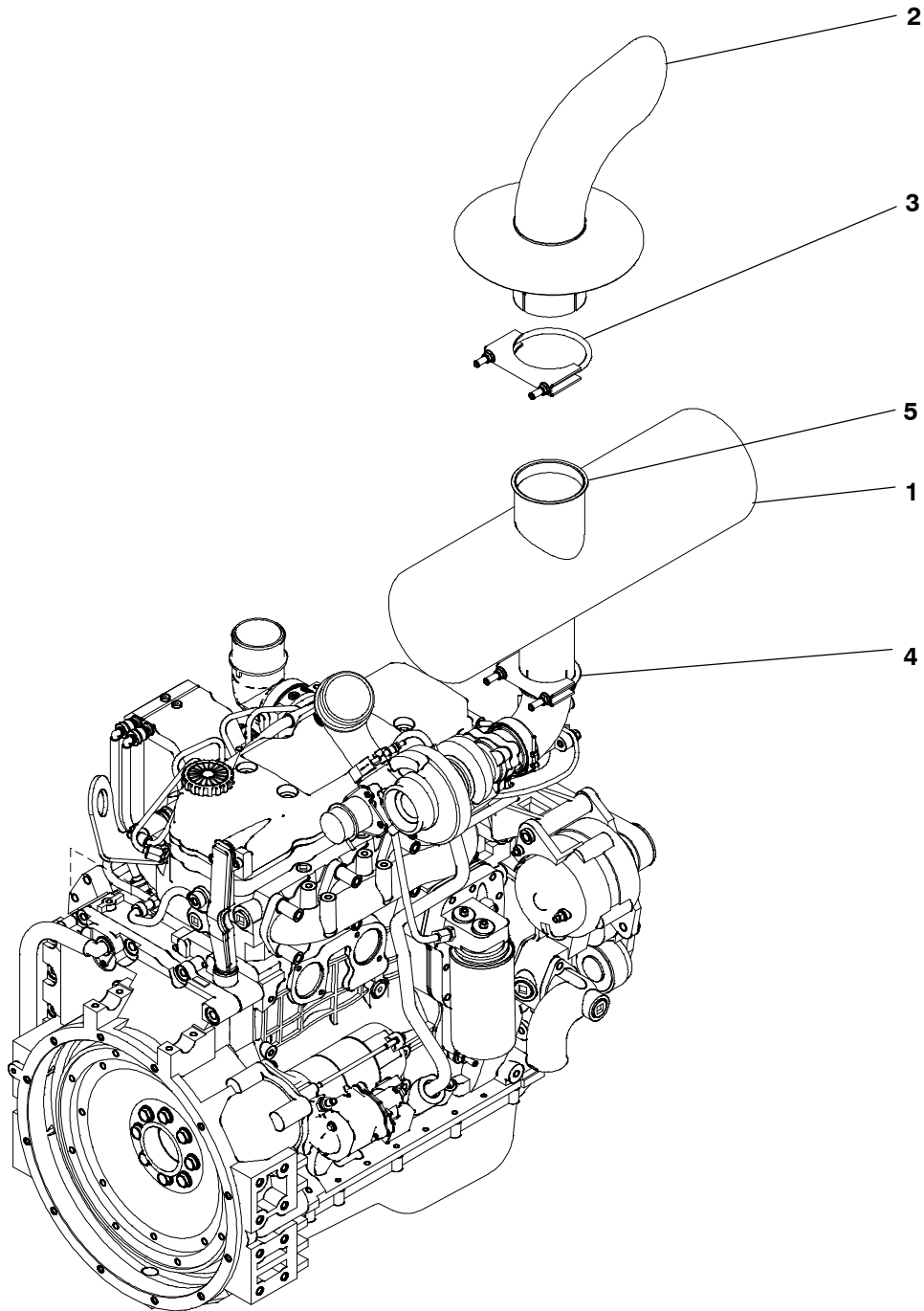
Item	Part No.	Description	Qty
1	0149-2808-02	Bracket	1
2	0725-1102	Screw, Socket Head	2
3	A054E524	Adapter, Fuel Line	2
4	5364386	Filter, Fuel	1
5	3963990	Washer, Sealing	1
6	5314964	Connector, Quick Disconnect	1
7	5318803	Hose, Fuel	1
8	4894721	Washer, Sealing	1
9	4995591	Harness, Wiring	1

Engine Accessories (Illustration #3)



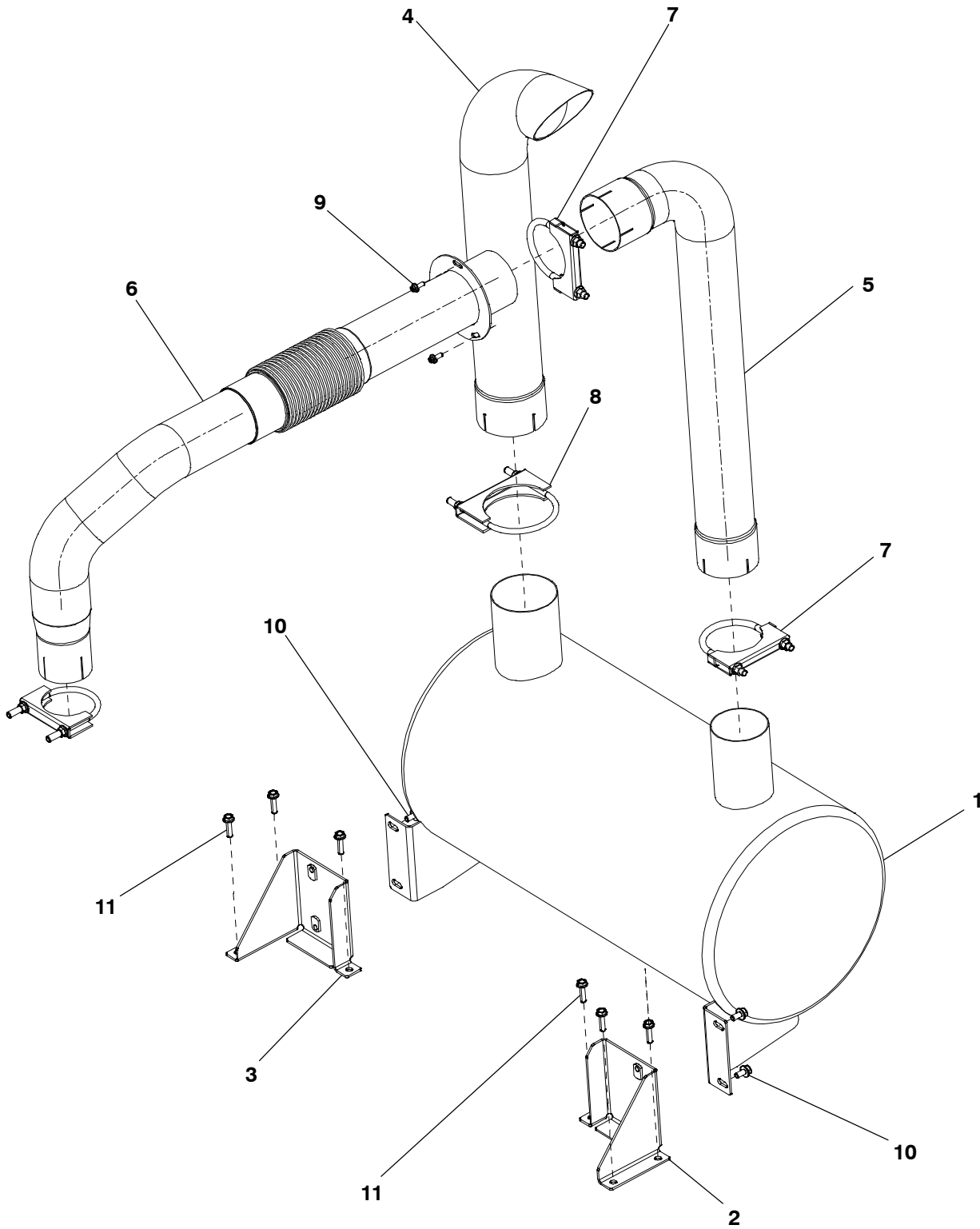
Item	Part No.	Description	Qty
1	A050W991	Spacer, Fan	1
2	A047R282	Fan, Radiator	1
3	0850-0114-55	Washer, Lock	4
4	0800-6441	Screw, Hex Head	4
5	052-45039	Tie, Cable	1

Silencer (F216)



Item	Part No.	Description	Qty
1	A053P721	Silencer	1
2	A047U542	Pipe, Exhaust	1
3	0155-2305	Clamp	1
4	0155-2175	Clamp	1
5	A052A237	Plug	1

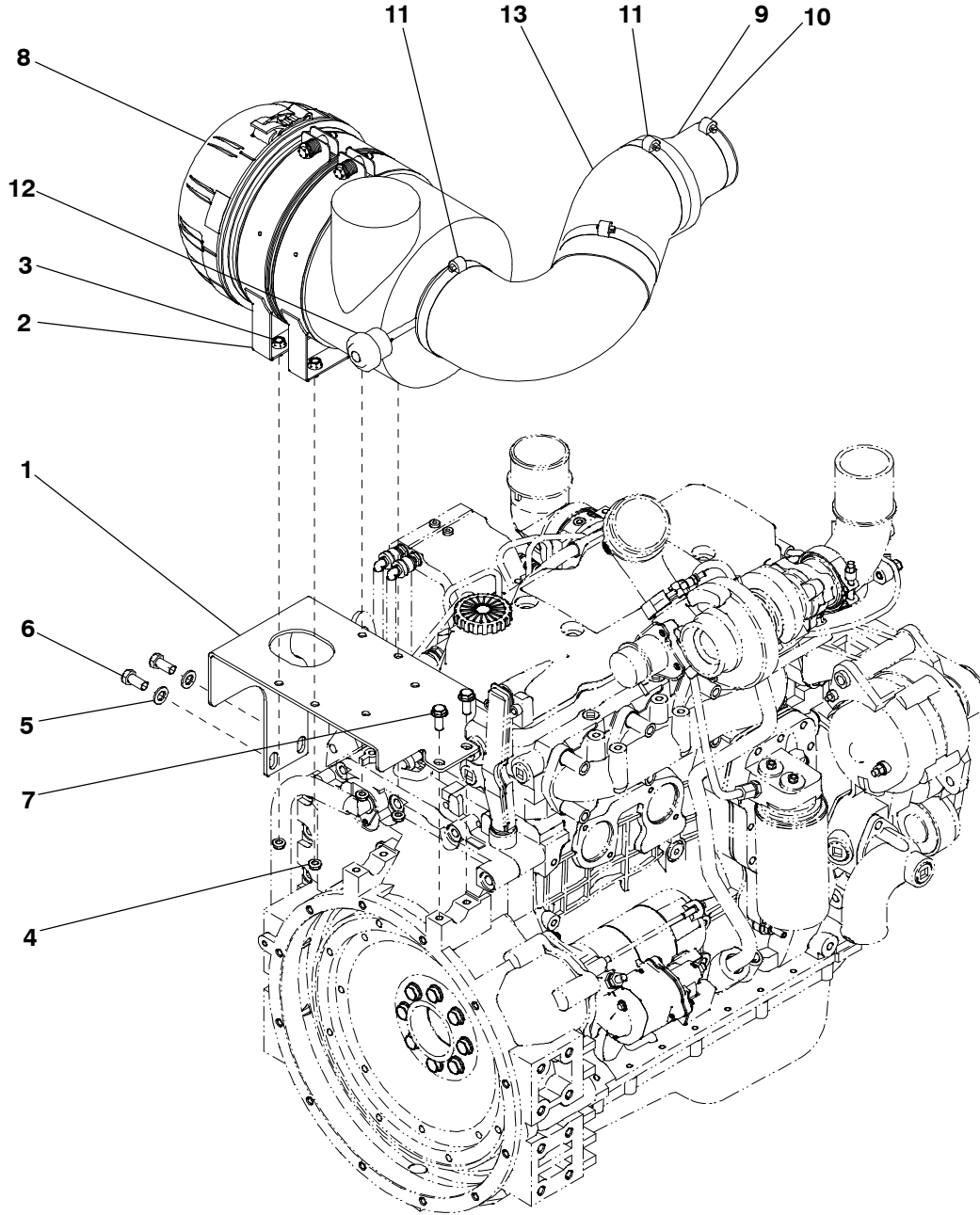
Silencer (F217, F231)



Silencer (F217, F231)

Item	Part No.	Description	Qty
1	A050B660	Silencer	1
2	A049Z459	Bracket, Silencer	1
3	A049Z457	Bracket, Silencer	1
4	A046D850	Pipe, Exhaust	1
5	A046D848	Pipe, Exhaust	1
6	A052W978	Pipe, Exhaust	1
7	A047W504	Clamp, Exhaust	2
8	0155-2305	Clamp	1
9	0815-0857-02	Screw, Hex Head	2
10	0800-6524-01	Screw, Hex Flange Head	4
11	0815-0781	Screw, Hollow Head	6
12	0155-2175	Clamp	1

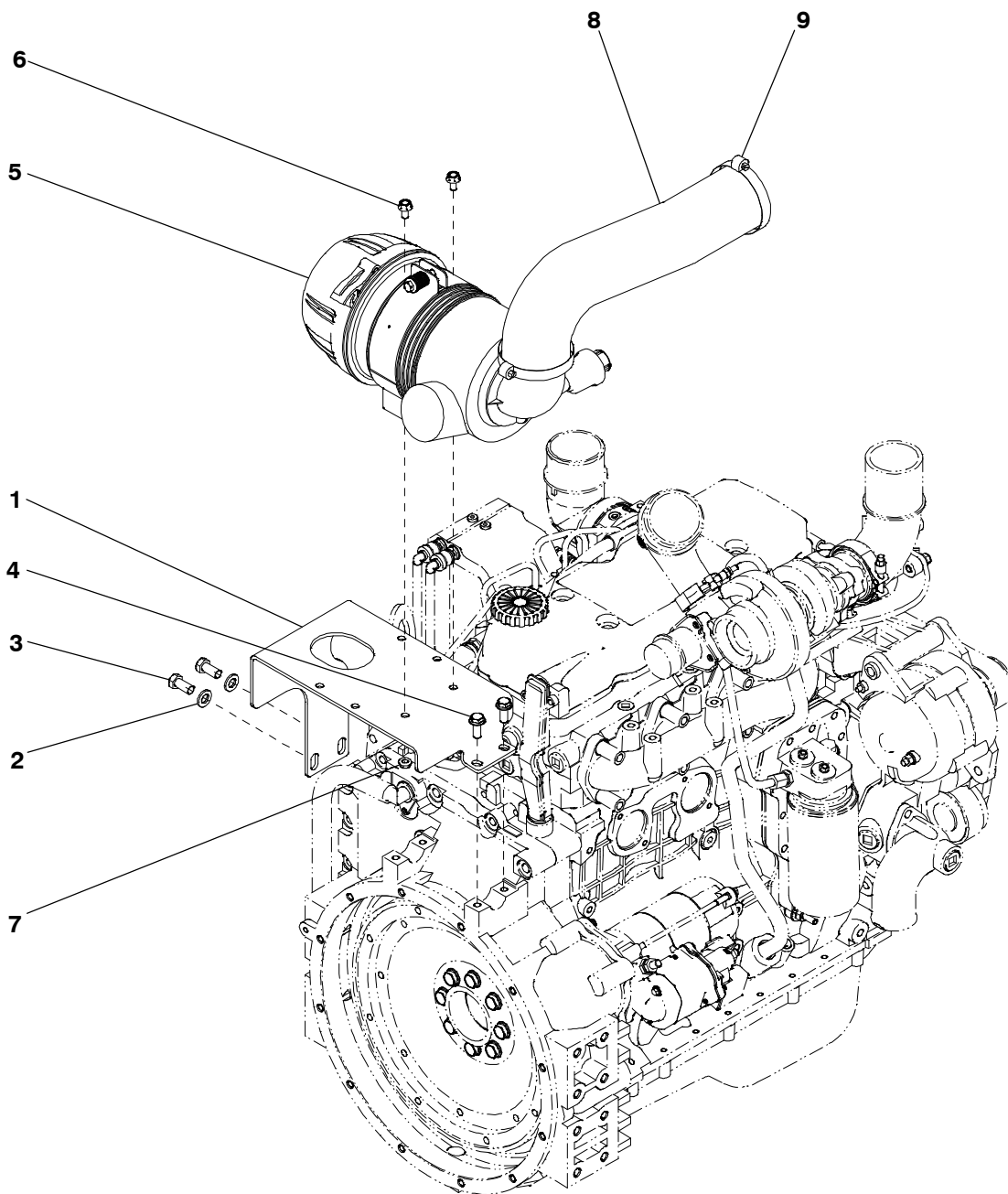
Air Cleaner Heavy Duty (C125D6C, C100D6C, C80D6C)



Air Cleaner
Heavy Duty (C125D6C, C100D6C, C80D6C)

Item	Part No.	Description	Qty
1	A053X100	Bracket, Filter	1
2	A047K707	Bracket, Air Filter	2
3	0800-6524-01	Screw, Hex Flange Head	4
4	0870-2055	Nut, Flange Lock	4
5	0526-2140	Washer, Flat	2
6	0800-2111	Screw, Hex Head	2
7	0821-2061	Screw, Hex Flange Head	2
8	A047K704	Filter, Air	1
	A051M145	Filter, Air – Replacement	1
9	A053J199	Hose, Intake	1
10	0503-1870-06	Clamp	1
11	0503-1870-09	Clamp, Hose	3
12	A050T121	Indicator, Restriction	1
13	A055C981	Sleeve, Flexible	1

Air Cleaner Heavy Duty (C60D6C, C50D6C)

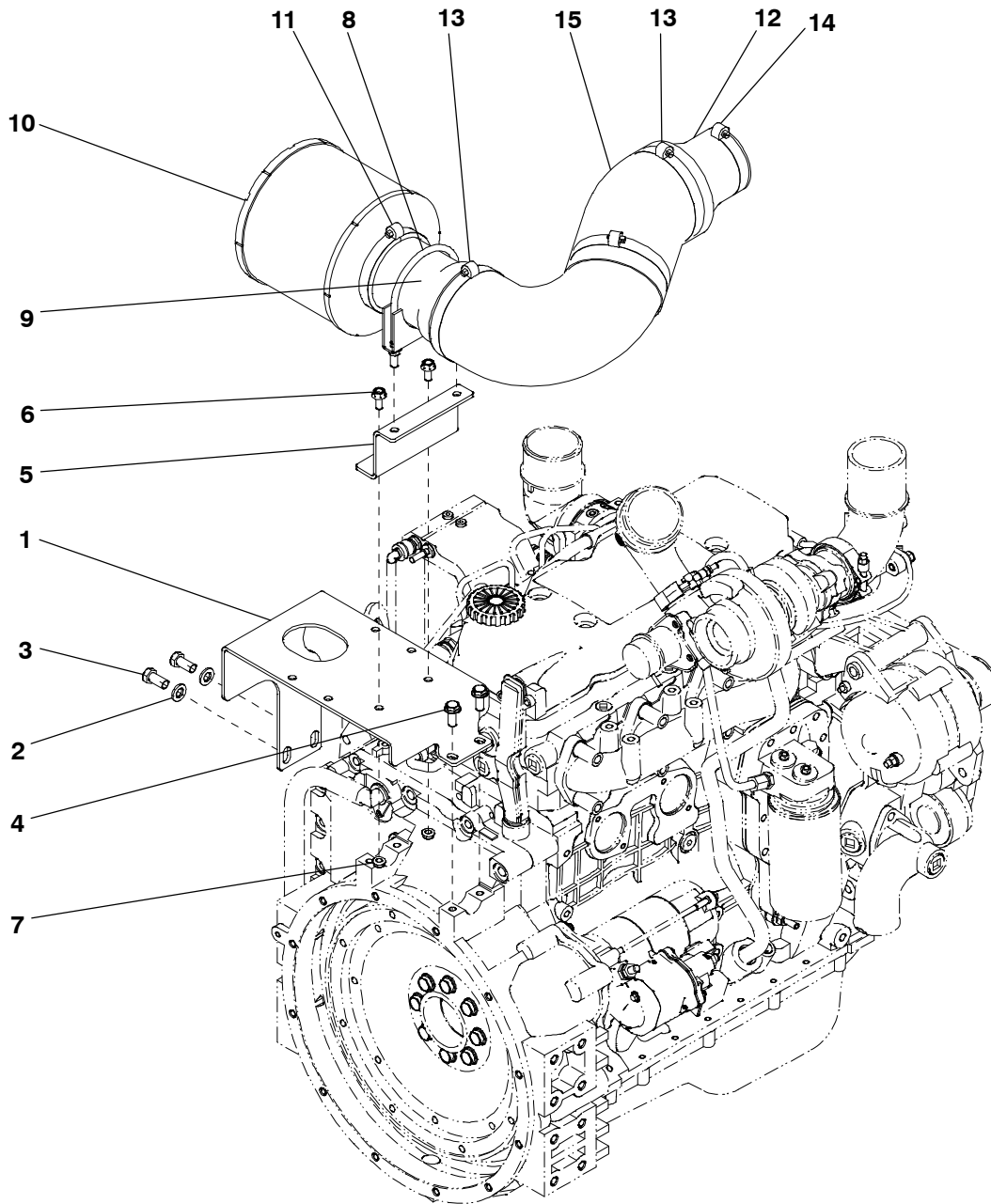


Air Cleaner

Heavy Duty (C60D6C, C50D6C)

Item	Part No.	Description	Qty
1	A053X100	Bracket, Filter	1
2	0526-2140	Washer, Flat	2
3	0800-2111	Screw, Hex Head	2
4	0821-2061	Screw, Hex Flange Head	2
5	A047M818	Filter, Air	1
	A044V681	Filter, Air – Replacement	1
6	0800-6524-01	Screw, Hex Flange Head	2
7	0870-2055	Nut, Flange Lock	2
8	A053J782	Hose, Intake	1
9	0503-1870-06	Clamp	2

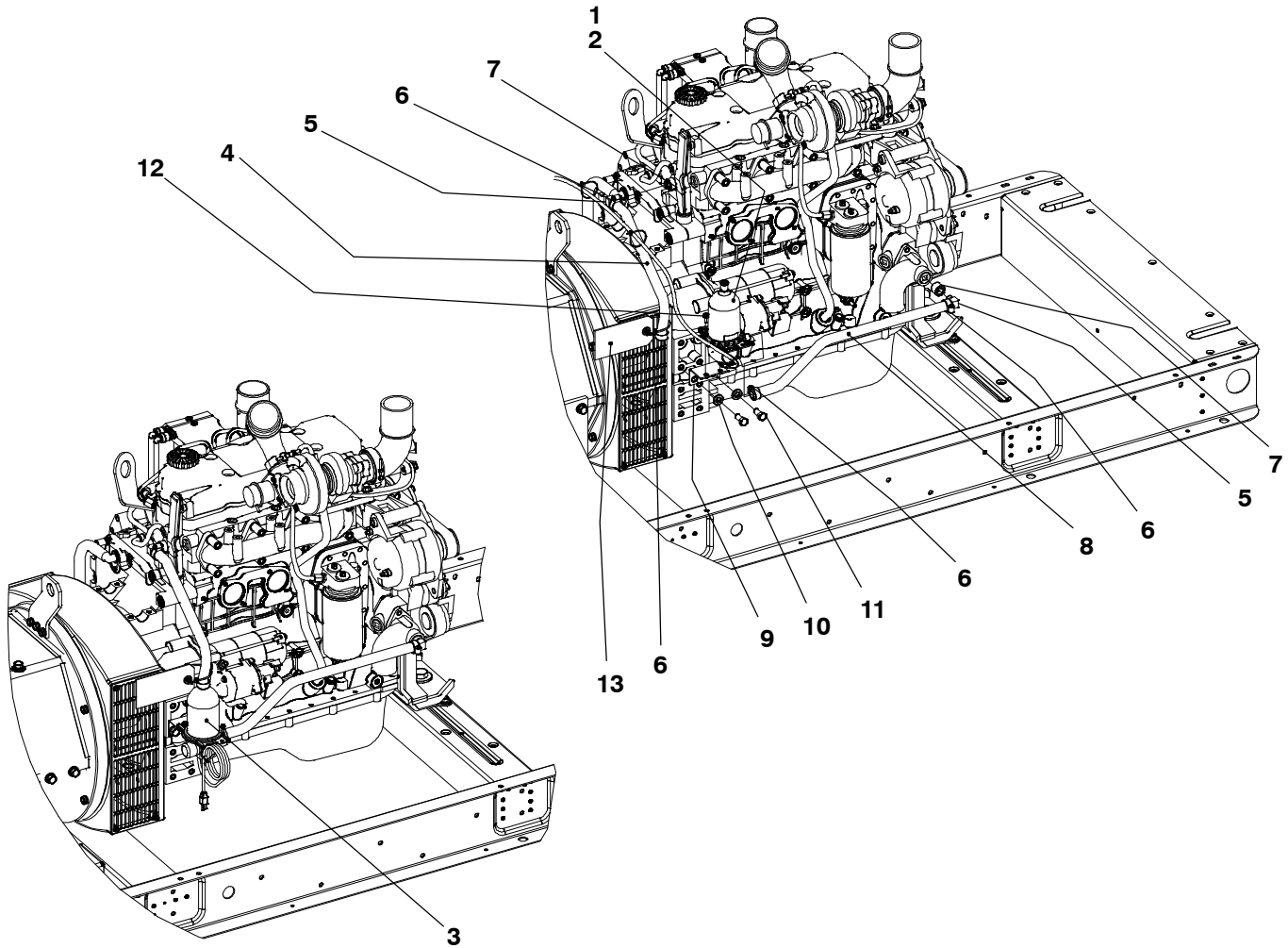
Air Cleaner Normal Duty



Air Cleaner Normal Duty

Item	Part No.	Description	Qty
1	A053X100	Bracket, Filter	1
2	0526-2140	Washer, Flat	2
3	0800-2111	Screw, Hex Head	2
4	0821-2061	Screw, Hex Flange Head	2
5	A053J202	Bracket, Filter	1
6	0800-6524-02	Screw, Hex Flange Head	2
7	0870-2055	Nut, Flange Lock	2
8	0155-2305	Clamp	1
9	A053J206	Tube, Air Inlet	1
10	A047M180	Filter, Air	1
11	0503-1870-08	Clamp, Hose	1
12	A053J199	Hose, Intake	1
13	0503-1870-09	Clamp, Hose	3
14	0503-1870-06	Clamp	1
15	A055C981	Sleeve, Flexible	1

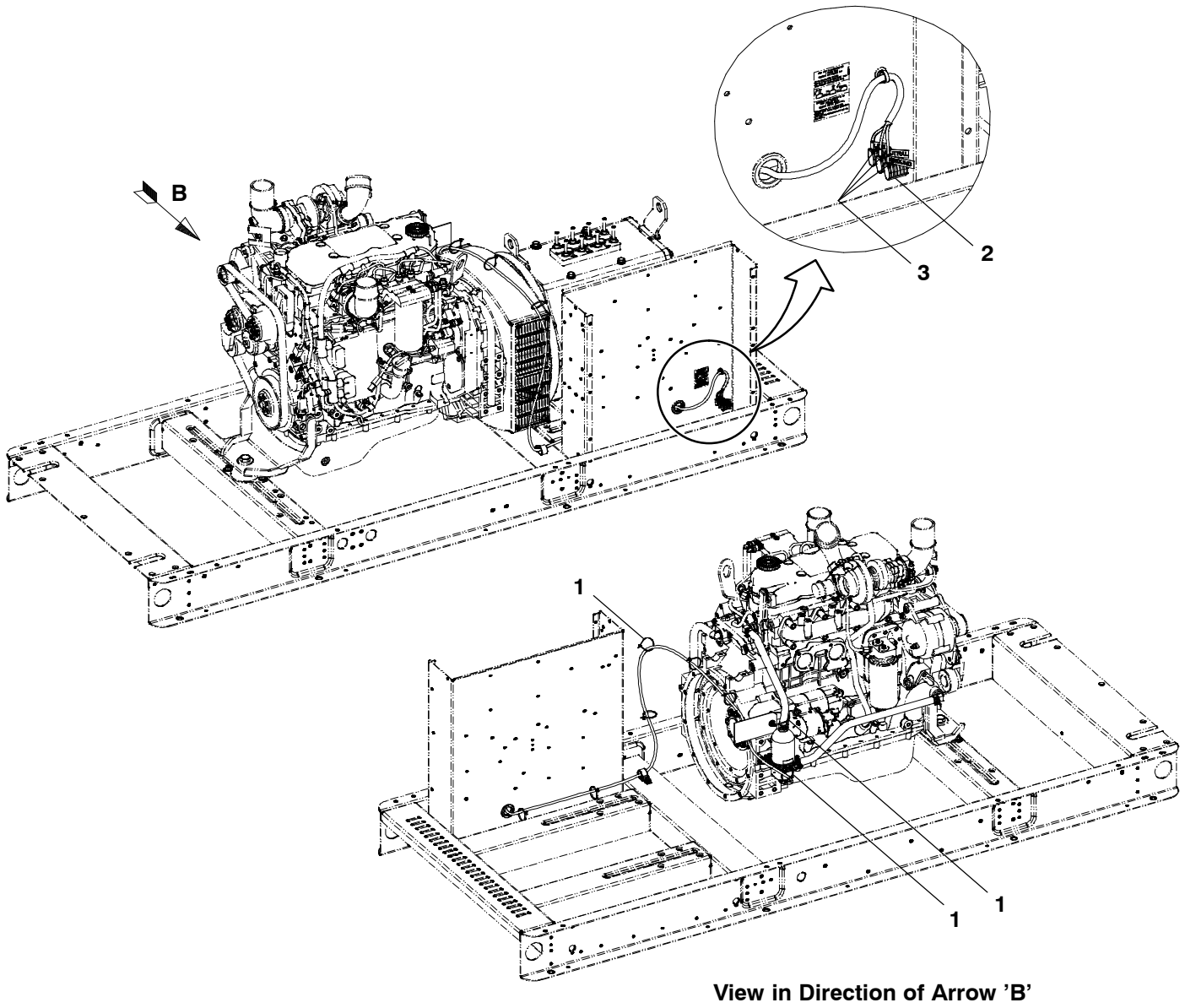
Coolant Heater (Illustration #1)



Coolant Heater (Illustration #1)

Item	Part No.	Description	Qty
1	A050M049	Heater, Coolant – 1000W (60°–80°F, UL Flying Leads)	1
2	A050M046	Heater, Coolant – 1500W (80°–100°F, UL Flying Leads)	1
3	0333–0588–03	Heater, Coolant – 1500W (80°–100°F, CSA Plug)	1
4	0503–2791–06	Hose, Coolant	1
5	0502–0942	Elbow, 90° Hose	2
6	0503–1135	Clamp	4
7	0505–0131	Bushing, Reducer	2
8	0503–2791–05	Hose, Coolant	1
9	0333–0747–02	Bracket	1
10	0526–0219	Washer, Flat	2
11	0800–2111	Screw, Hex Head	2
12	0821–6002–03	Screw, Hex Head	2
13	0098–6030	Tag, Caution	1

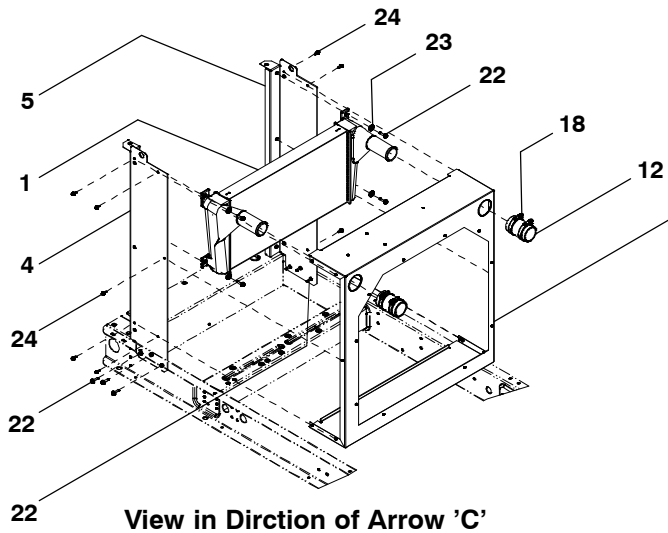
Coolant Heater (Illustration #2)



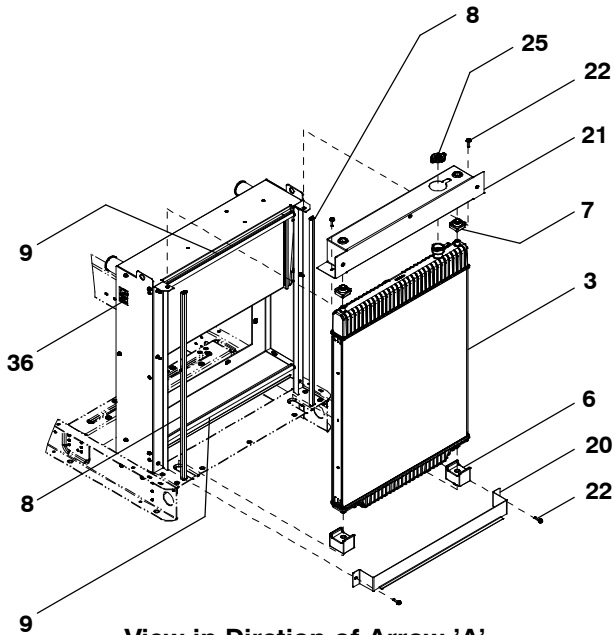
Item	Part No.	Description	Qty
1	0332-1794	Tie, Cable	A/R
2	A046D267	Connector, Terminal Block (UL Heaters)	3
3	A046G477	Label, Marking (UL Heaters)	1

This page is Intentionally blank.

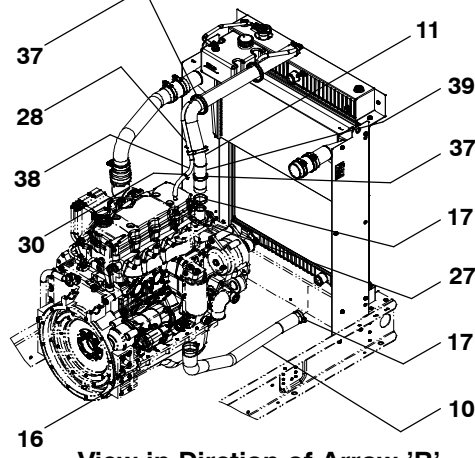
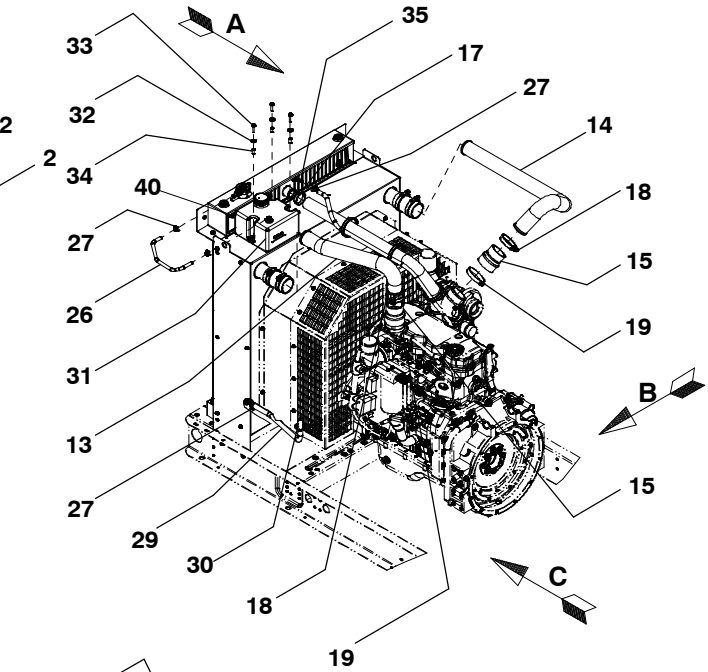
Cooling System



View in Direction of Arrow 'C'



View in Direction of Arrow 'A'

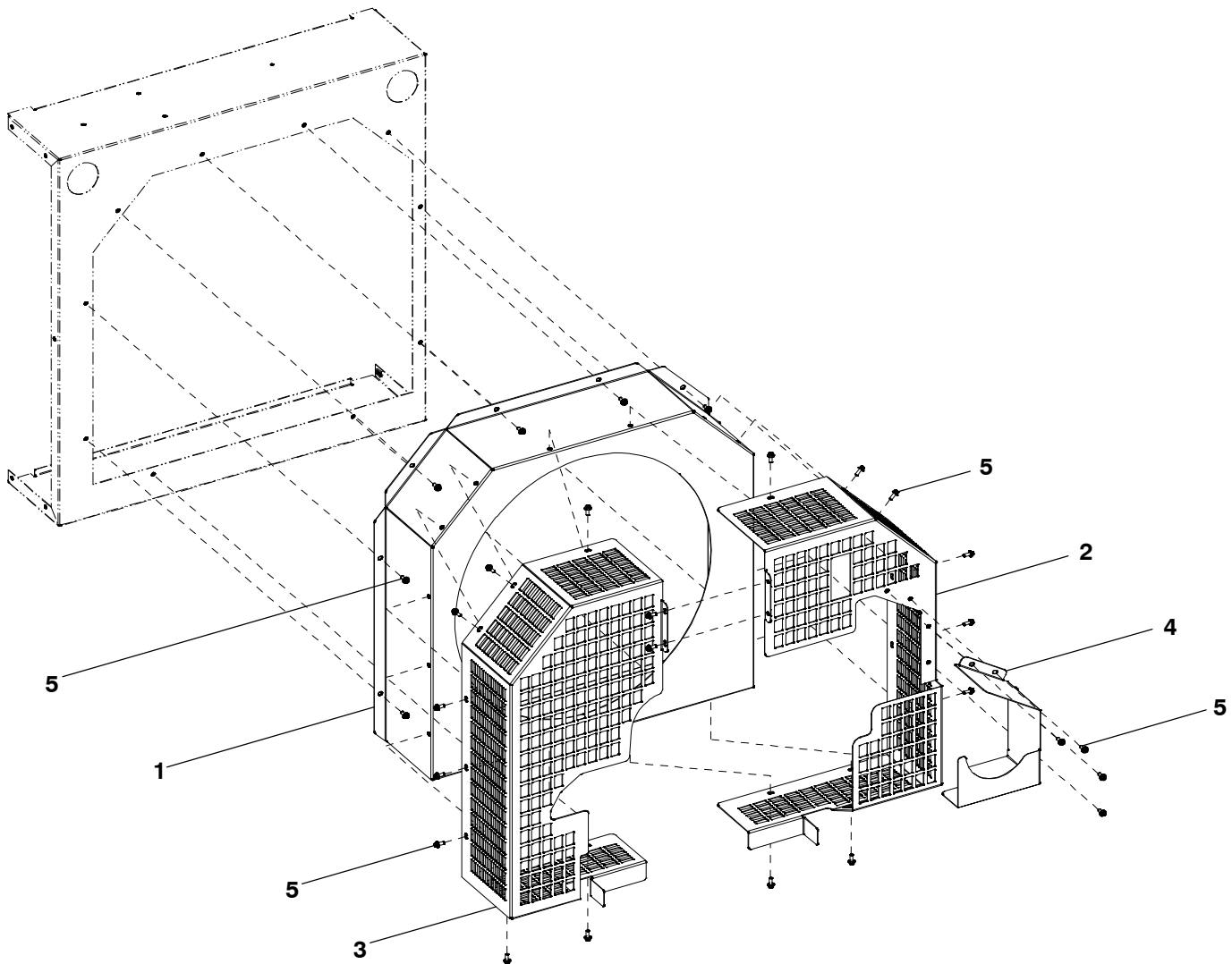


View in Direction of Arrow 'B'

Cooling System

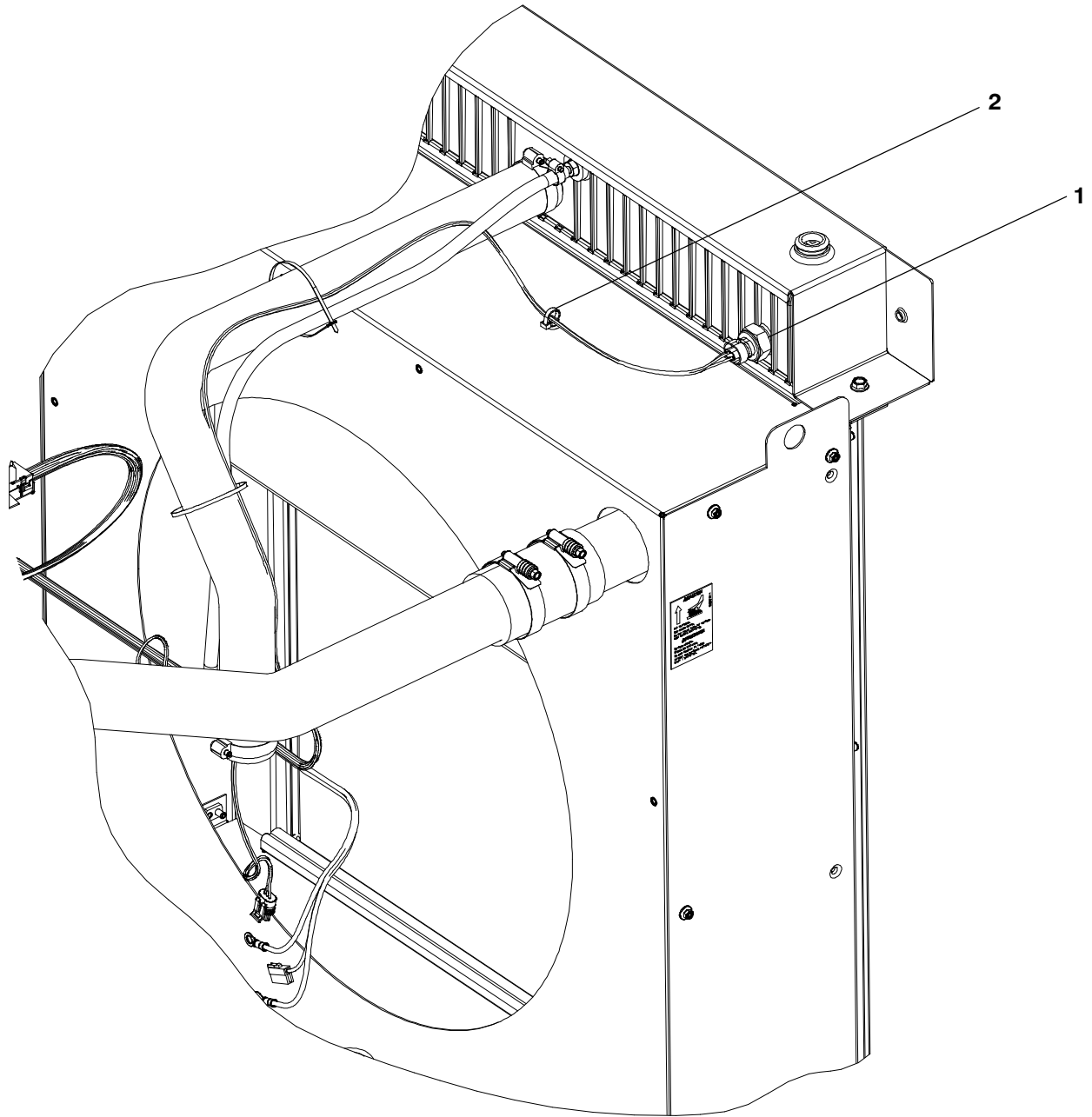
Item	Part No.	Description	Qty
1	A048J249	Cooler, Charge Air	1
2	A053Y021	Shroud, Radiator	1
3	A058F021	Radiator	1
4	A048F734	Support, Post	1
5	A048F738	Support, Post	1
6	A048F744	Bushing	2
7	0508-1197	Bushing	2
8	A048V153	Seal, Edge	2
9	A048V154	Seal, Edge	2
10	A052W975	Hose, Coolant	1
11	A052W966	Hose, Coolant	1
12	A050N782	Hose, Air	2
13	A052W962	Tube, Air Inlet	1
14	A052W968	Tube, Air Inlet	1
15	A052Z035	Connector, Tube	2
16	0503-1142	Clamp	1
17	0503-1140	Clamp	3
18	0503-1872-04	Clamp, Hose	6
19	0503-1872-05	Clamp, Hose	2
20	A048G835	Bracket, Radiator	1
21	A048N088	Bracket, Radiator	1
22	0815-0781	Screw, Hollow Head	14
23	0526-0399-61	Washer, Flat	4
24	0815-0857-02	Screw, Hex Head	10
25	0130-3721-01	Cap, Pressure	1
26	A048V152	Hose	1
27	0503-1133	Clamp	5
28	A052C711	Hose, Fuel	1
29	A047C587	Hose	1
30	0332-1794	Tie, Cable	2
31	A050P514	Tank, Coolant	1
32	0526-2106	Washer, Flat	3
33	0815-0857-06	Screw, Hex Head	3
34	A051B859	Spacer	3
35	0502-1162	Fitting, Hose Connector	1
36	A048G949	Label, Caution	1
37	A042N860	Tie, Cable	4
38	A055C855	Sleeve, Flexible	1
39	A055C861	Sleeve, Flexible	1
40	A054T548	Gauge, Sight	1

Fan Guard



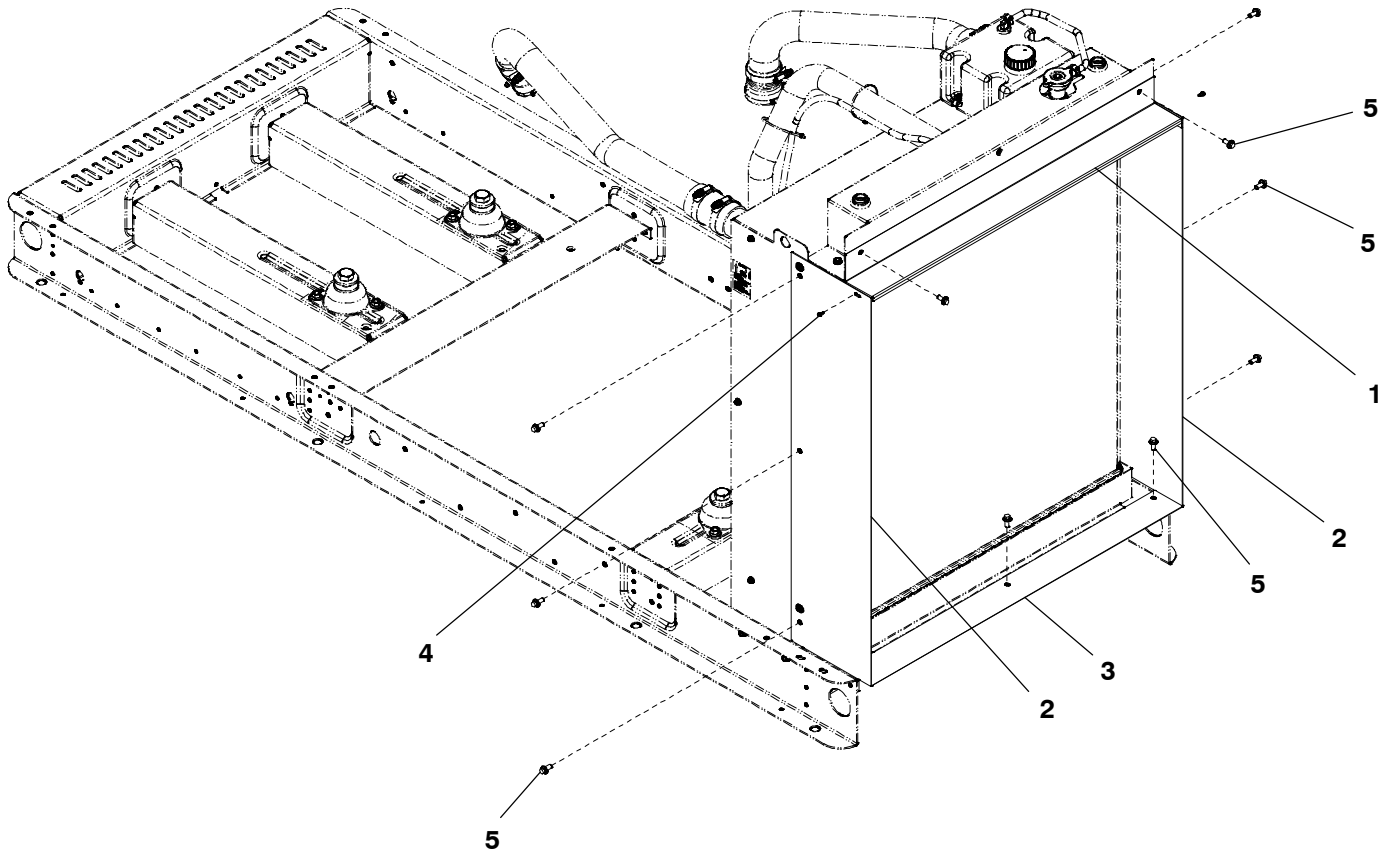
Item	Part No.	Description	Qty
1	A053Y025	Shroud, Fan	1
2	A053Y029	Guard, Fan	1
3	A053Y033	Guard, Fan	1
4	A053Y036	Guard, Alternator	1
5	0815-0857-02	Screw, Hex Head	32

Low Coolant Sender



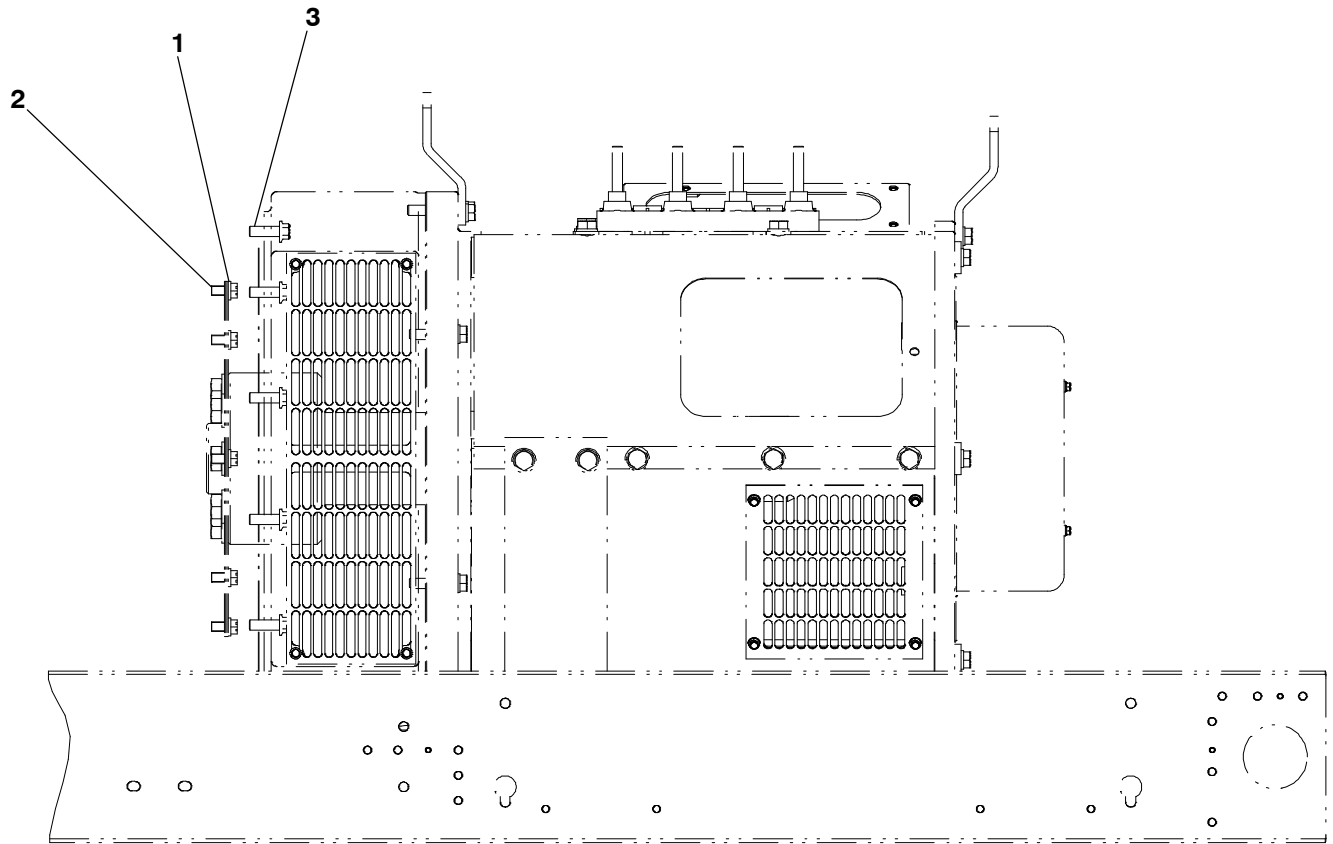
Item	Part No.	Description	Qty
1	A055G562	Sender, Low Coolant	1
2	A044D694	Tie, Cable	1

Duct Adapter



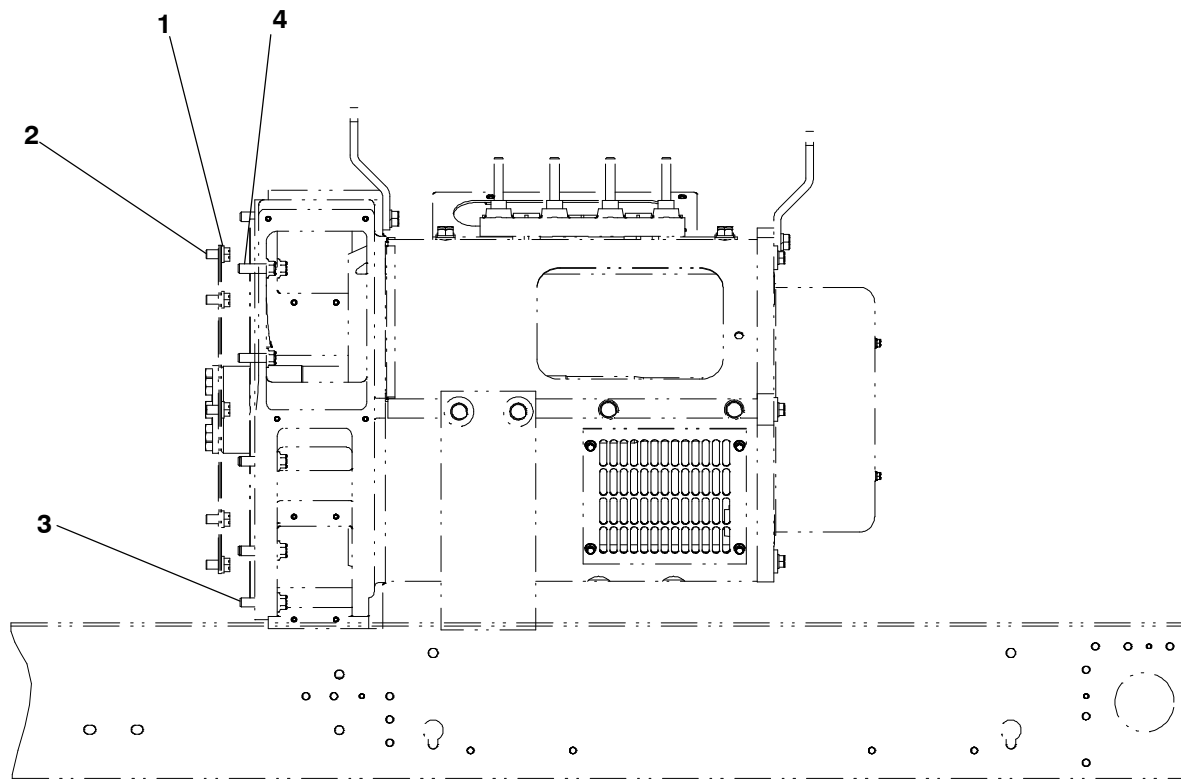
Item	Part No.	Description	Qty
1	A050A053	Adapter, Duct	1
2	A050A055	Adapter, Duct	2
3	A050A057	Adapter, Duct	1
4	A050H838	Screw, Thread Forming	2
5	0815-0709-01	Screw, Hex Flange Head	11

Alternator Fasteners – UC22



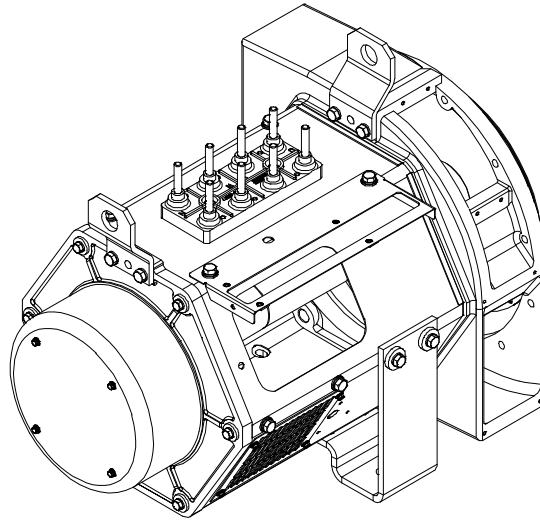
Item	Part No.	Description	Qty
1	A046A715	Washer, Flat	8
2	0805-0015	Bolt, Place	8
3	A044B045	Screw, Hex Flange Head	12

Alternator Fasteners – UC27



Item	Part No.	Description	Qty
1	A046A715	Washer, Flat	8
2	0805-0015	Bolt, Place	8
3	A044B045	Screw, Hex Flange Head	4
4	A048W223	Screw, Hex Flange Head	6

Alternator Complete



Item	Part No.	Description	Qty
		Alternator – 60Hz, 12L, 480/277V, 120C, 40C Ambient	
	A049M668	UC224D – C50D6C	
	A049M680	UC224F – C60D6C	
	A049M682	UC224G – C80D6C	
	A049M696	UC274E – C125D6C	
	A049M720	UC274D – C100D6C	
		Alternator – 60Hz, 12L, 208/120V, 120C, 40C Ambient	
	A049M673	UC224D – C50D6C	
	A049M680	UC224F – C60D6C	
	A049M684	UC224G – C80D6C	
	A049M716	UC274F – C125D6C	
	A049M720	UC274D – C100D6C	
		Alternator – 60Hz, 6L, 600/347V, 120C, 40C Ambient	
	A049M652	UC224D – C50D6C	
	A049M655	UC224E – C60D6C	
	A049M660	UC224G – C80D6C	
	A049M664	UC274D – C100D6C	
	A053Y714	UC274E – C125D6C	

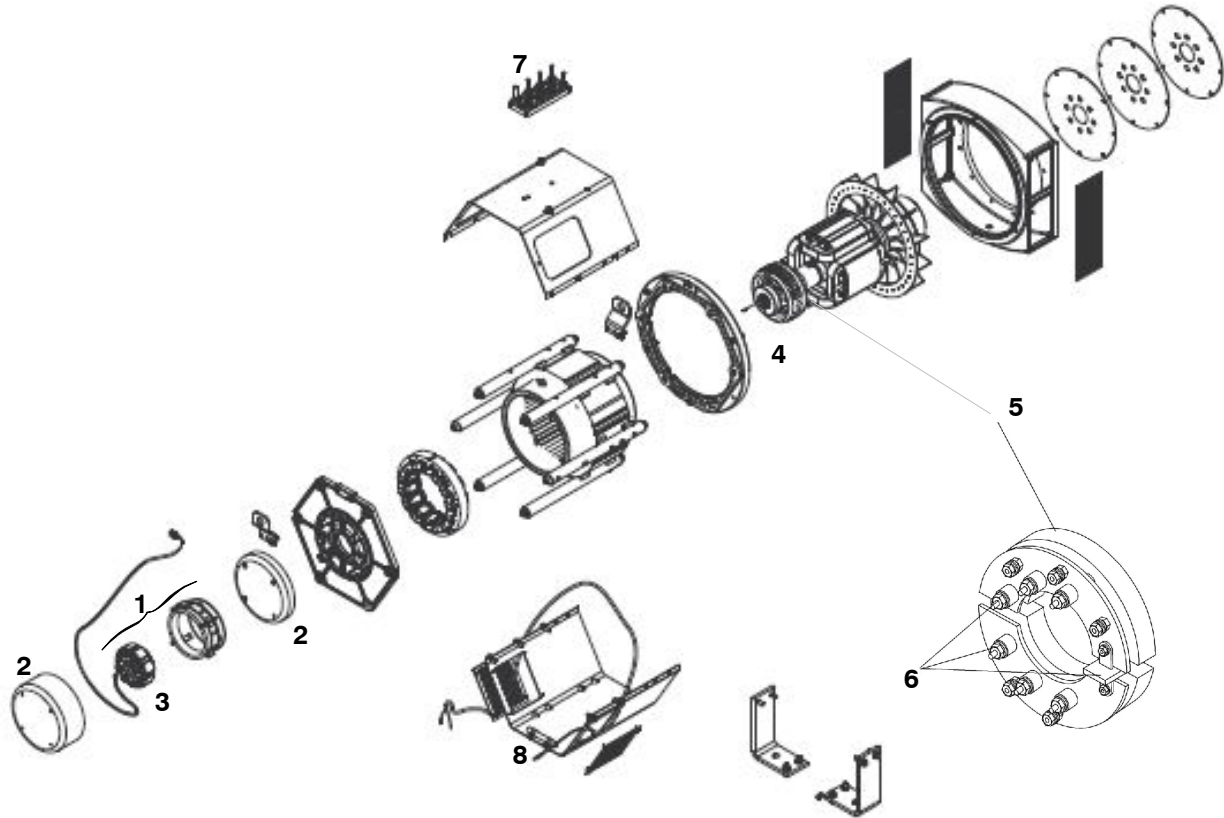
Alternator – Complete (Continued)

Item	Part No.	Description	Qty
		Alternator – 60Hz, 12L, 240/120V, 120C, 40C Ambient	
	A049M673	UC224D – C50D6C	
	A049M680	UC224F – C60D6C	
	A049M716	UC274F – C125D6C	
	A049M684	UC224G – C80D6C	
	A049M720	UC274D – C100D6C	
		Alternator – 60Hz, 12L, 220/127V, 105C, 40C Ambient, IMS	
	A049M671	UC224E – C50D6C	
	A049M680	UC224F – C60D6C	
	A049M686	UC274C – C80D6C	
	A049M716	UC274F – C125D6C	
	A049M720	UC274D – C100D6C	
		Alternator – 60Hz, 12L, 220/127V, 120C, 40C Ambient	
	A049M668	UC224D – C50D6C	
	A049M680	UC224F – C60D6C	
	A049M686	UC274C – C80D6C	
	A049M716	UC274F – C125D6C	
	A049M720	UC274D – C100D6C	
		Alternator – 60Hz, Reconnect, Full Output, 105C, 40C Ambient, IMS	
	A049M680	UC224F – C50D6C	
	A049M696	UC274E – C80D6C	
	A049M720	UC274D – C60D6C	
		Alternator – 60Hz, Reconnect, Full Output, 120C, 40C Ambient, IMS	
	A049M680	UC224F – C50D6C	
	A060X610	UC224F – C50D6C	
	A049M682	UC224G – C60D6C	
	A060X612	UC224G – C60D6C	
	A049M696	UC274E – C80D6C	
	A060X756	UC274E – C100D6C	
	A049M716	UC274F – C100D6C	
	A060X757	UC274F – C125D6C	
	A060X755	UC274D – C80D6C	

Alternator – Complete (Continued)

		Alternator – 60Hz, 8L, 240/120V, 1Ph, 105C, 40C Ambient, IMS	
A049M637		UC224F – C50D6C	
A049M640		UC224G – C60D6C	
A049M644		UC274D – C80D6C	
A049M648		UC274E – C100D6C	
A053Y706		UC274F – C125D6C	
		Alternator – 60Hz, 12L, 600/347V, 105C, 40C Ambient, IMS	
A049M655		UC224E – C50D6C	
A049M657		UC224F – C60D6C	
A049M662		UC274C – C80D6C	
A049M664		UC274D – C100D6C	
A053Y714		UC274E – C125D6C	
		Alternator – 60Hz, 12L, 208/120V, 105C, 40C Ambient, IMS	
A049M671		UC224E – C50D6C	
A049M680		UC224F – C60D6C	
A049M689		UC274C – C80D6C	
A049M696		UC274E – C100D6C	
A049M716		UC274F – C125D6C	
		Alternator – 60Hz, 12L, 240/120V, 105C, 40C Ambient, IMS	
A049M671		UC224E – C50D6C	
A049M680		UC224F – C60D6C	
A049M689		UC274C – C80D6C	
A049M696		UC274E – C100D6C	
A049M716		UC274F – C125D6C	
		Alternator – 60Hz, 12L, 480/277V, 105C, 40C Ambient, IMS	
A049M671		UC224E – C50D6C	
A049M680		UC224F – C60D6C	
A049M686		UC274C – C80D6C	
A049M696		UC274E – C125D6C	
A049M720		UC274D – C100D6C	

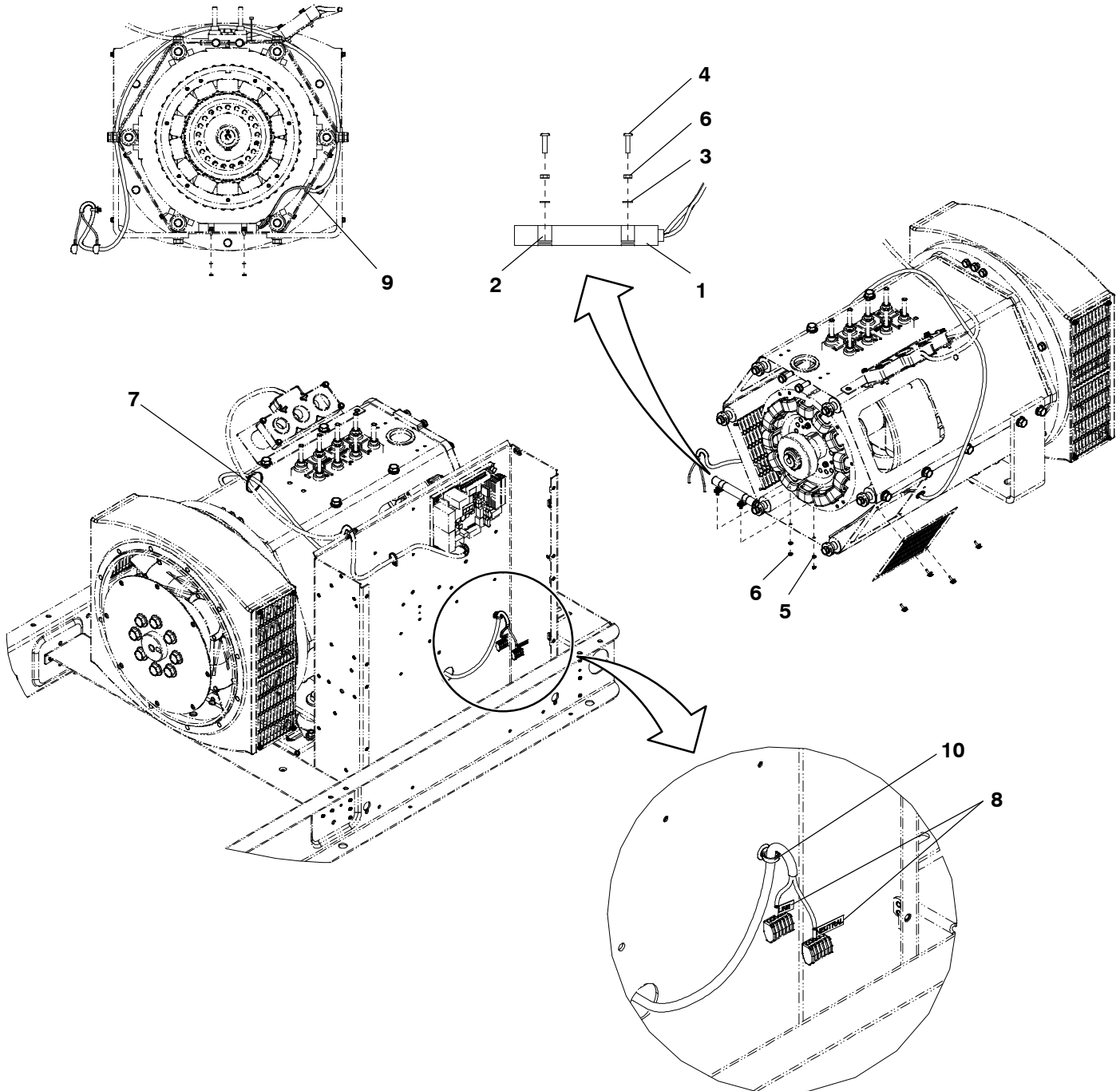
Alternator Service Parts



**Alternator
 Service Parts**

Item	Part No.	Description	Qty
1	A052U030	Complete PMG Upfit Kit	1
2	A049E982	PMG Cover (Cover Included in Above Kit)	1
	450-14450	Non PMG Cover	1
3	45-1080	Current PMG Rotor/Stator Repair Kit	1
4		NDE Bearing Kit	
	45-0867	UC22	1
	45-0868	UC27	1
5	45-0428	Rotating Rectifier Assy	1
6	RSK-2001	Diode FRW/REV and Varistor Kit	1
7	450-15617	Main Terminal Board	1
8	A052A179	Heater	1
		<p>NOTE: If the first position of the alternator serial number is M, the replacements for the rotor and stator are no longer available. Please contact the factory Technical Support for more information.</p>	

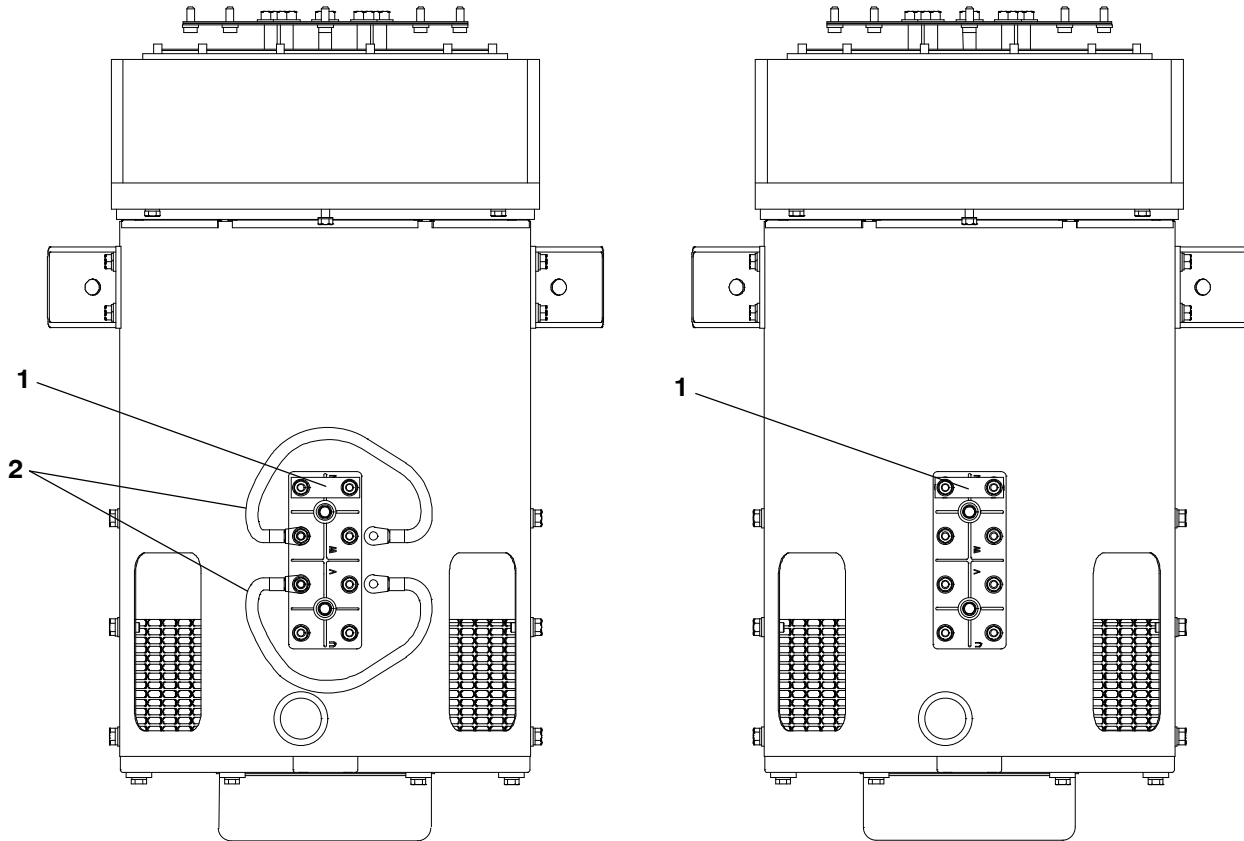
Alternator Heater



Alternator Heater

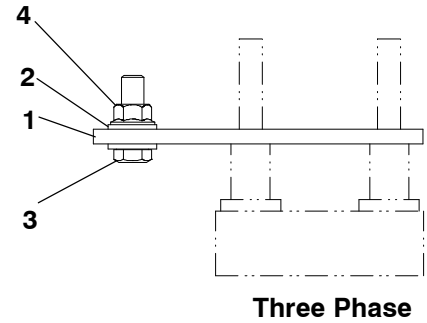
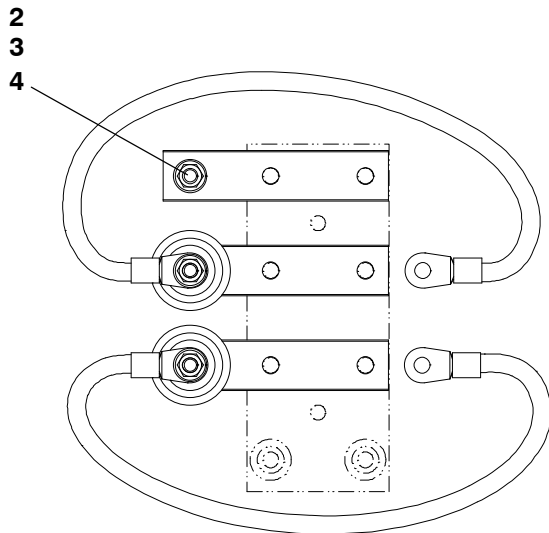
Item	Part No.	Description	Qty
1	A049V689	Heater, Cartridge	1
2	0332-3024-11	Clamp, Loop	2
3	0526-2050	Washer, Flat	2
4	0822-3075	Screw, Pan Head	2
5	0850-2004	Washer, Lock	2
6	0860-2005	Nut, Hex	4
7	0332-1794	Tie, Cable	1
8	A046G477	Label, Marking	1
9	A057E821	Grommet	1
10	A044D694	Tie, Cable	1

Leads

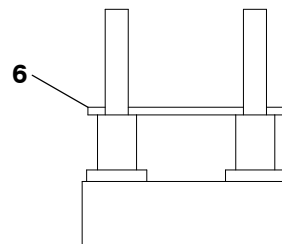
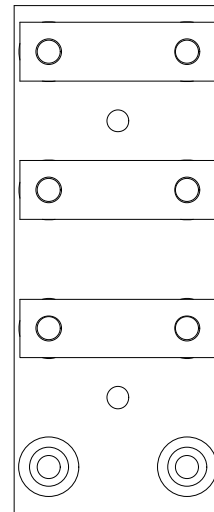
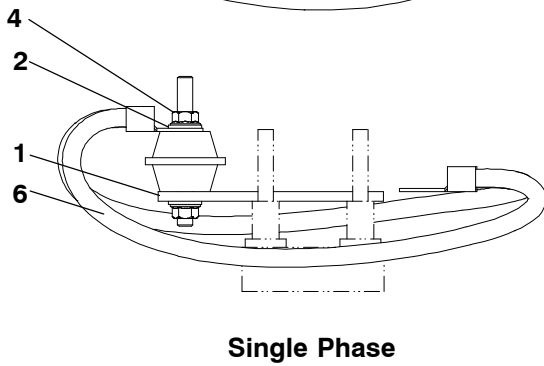


Item	Part No.	Description	Qty
1	0332-2987	Link, Terminal	A/R
2	A050R842	Lead	2

Busbar (C125D6C)

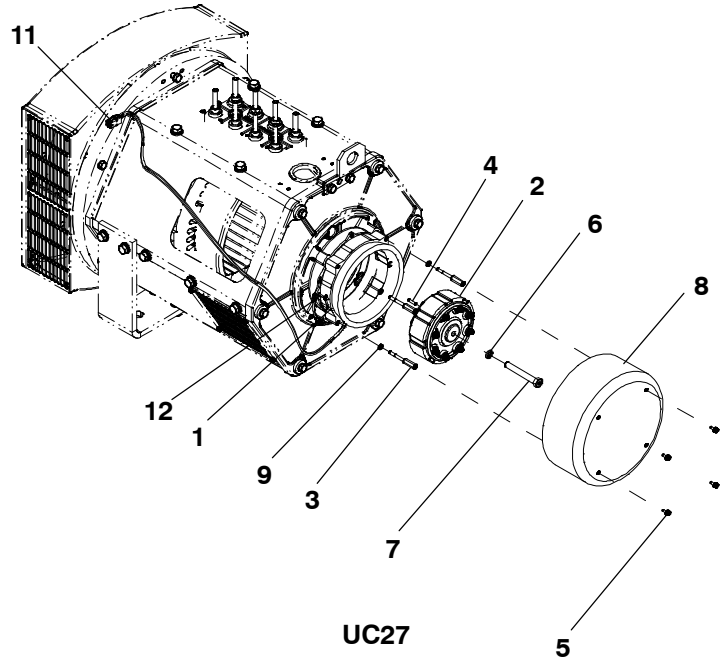
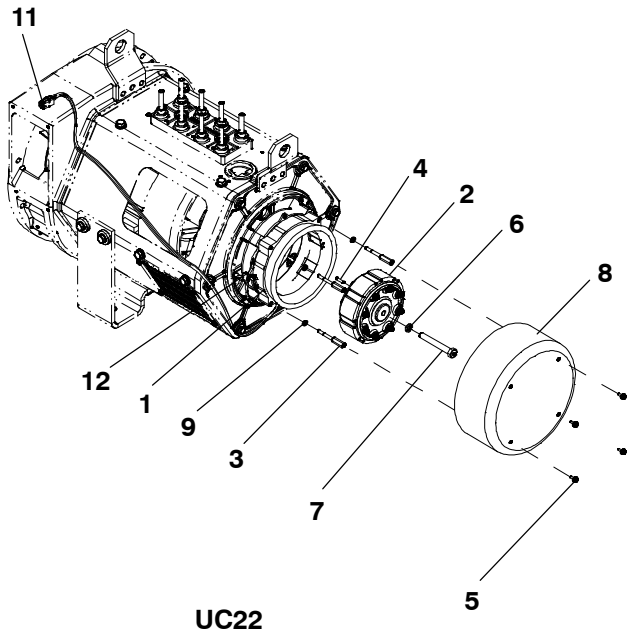


R104 240V Single Phase (4 Lead Alternator Config)



Item	Part No.	Description	Qty
1	0337-3911	Busbar	A/R
2	0526-0399-19	Washer, Flat	A/R
3	0800-0051	Screw, Hex Head	A/R
4	0870-0550-09	Nut, Hex Flange	A/R
5	A050R842	Lead	2
6	0332-2987	Link, Terminal	3

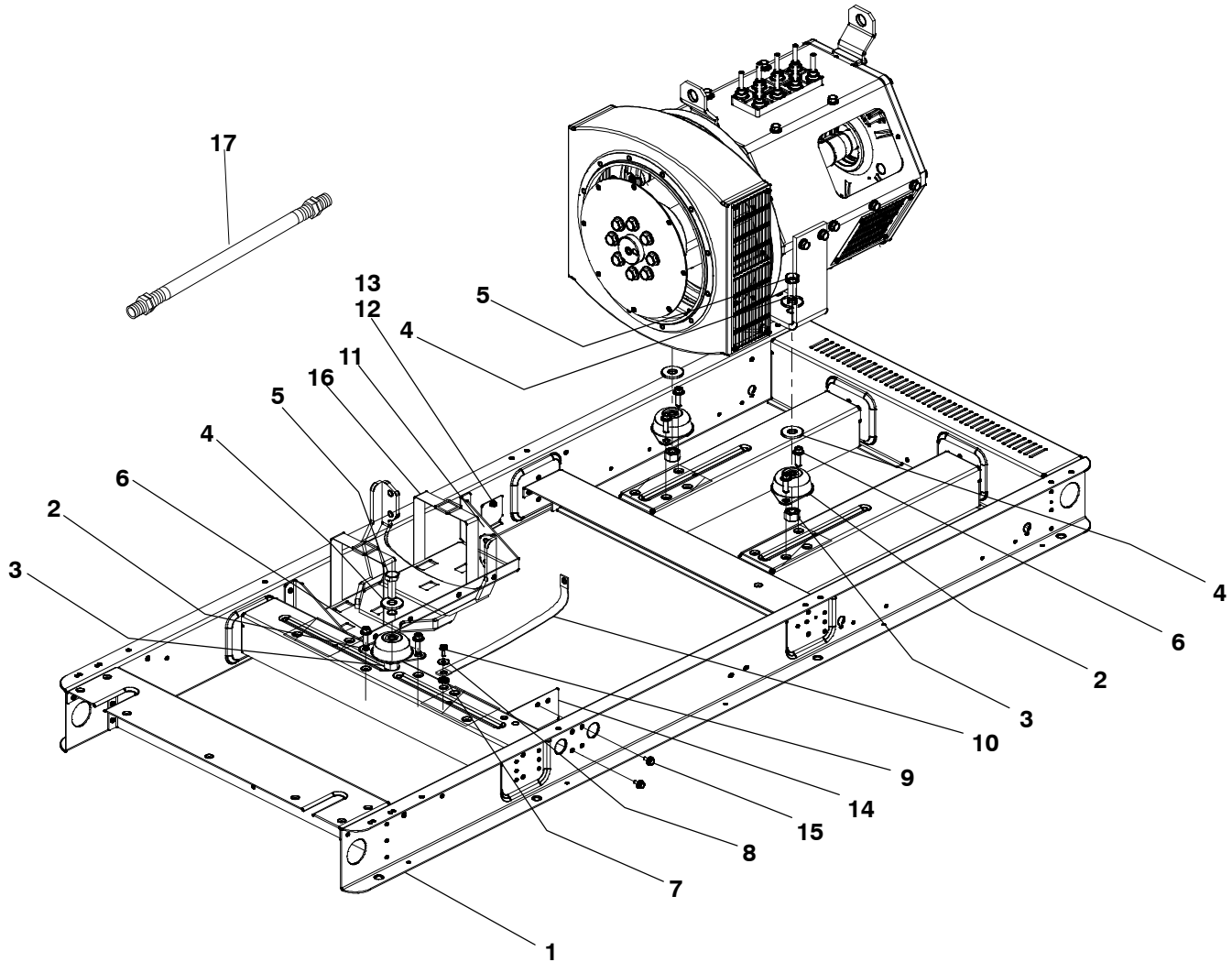
PMG



Item	Part No.	Description	Qty
1	A052U030	Stator, Permanent Magnet (Kit)	1
2	A029M562	Rotor, Permanent Magnet Generator	1
3	0232-3462-02	Spacer	4
4	0775-0049	Pin, Parallel	1
5	0821-6001-02	Screw, Hex Head	4
6	0850-2010	Washer, Lock	1
7	0815-0761-01	Bolt	1
8	A049E982	Cover, Endbell	1
9	0850-2006	Washer, Lock	4
10	A044D694	Tie, Cable (Not Shown)	2
11	A042N319	Housing, Receptacle	1
12	0332-1794	Tie, Cable	1

This page is Intentionally blank.

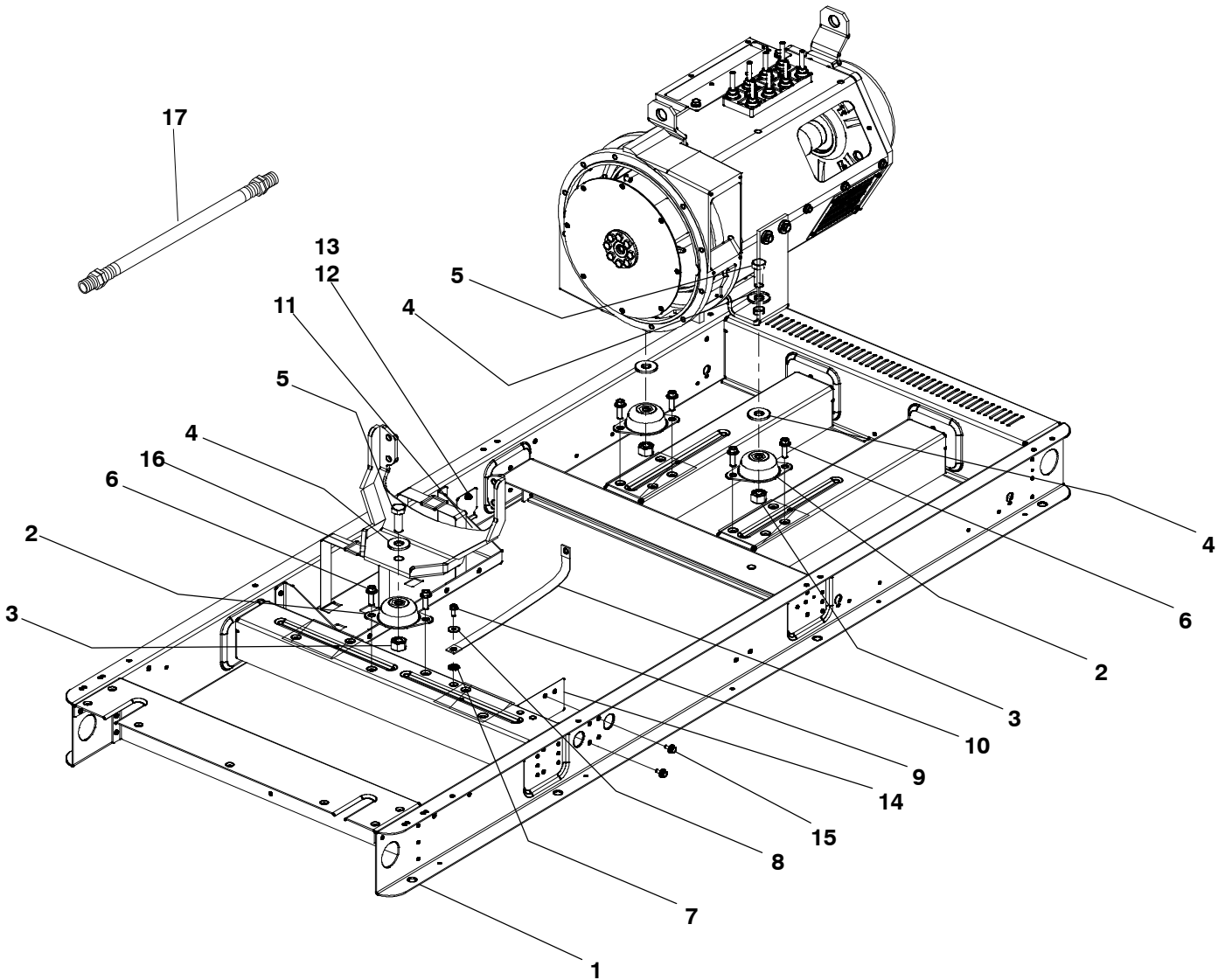
Chassis (UCD27)



Chassis (UCD27)

Item	Part No.	Description	Qty
1	A061K638	Chassis	1
2	0402-0779-05	Isolater, Vibration	3
3	0862-0044	Nut, Hex	3
4	0526-0238-01	Washer, Flat	5
5	0800-0607	Screw, Hex Head	3
6	A048U555	Screw, Hollow Head	6
7	0856-0010	Washer, Lock	1
8	0526-0399-61	Washer, Flat	1
9	0815-0829-06	Screw, Hollow Head	1
10	0337-0090	Strap, Electrical	1
11	A059Z995	Panel, Access	1
12	A050P483	Screw, Hex Flange Head	1
13	A052Z191	Nut, Lock	1
14	A059W839	Cover	1
15	0821-6003-01	Screw, Hex Head	1
16	A044G477	Holddown, Battery	2
17	A054E522	Line, Flexible Fuel	2

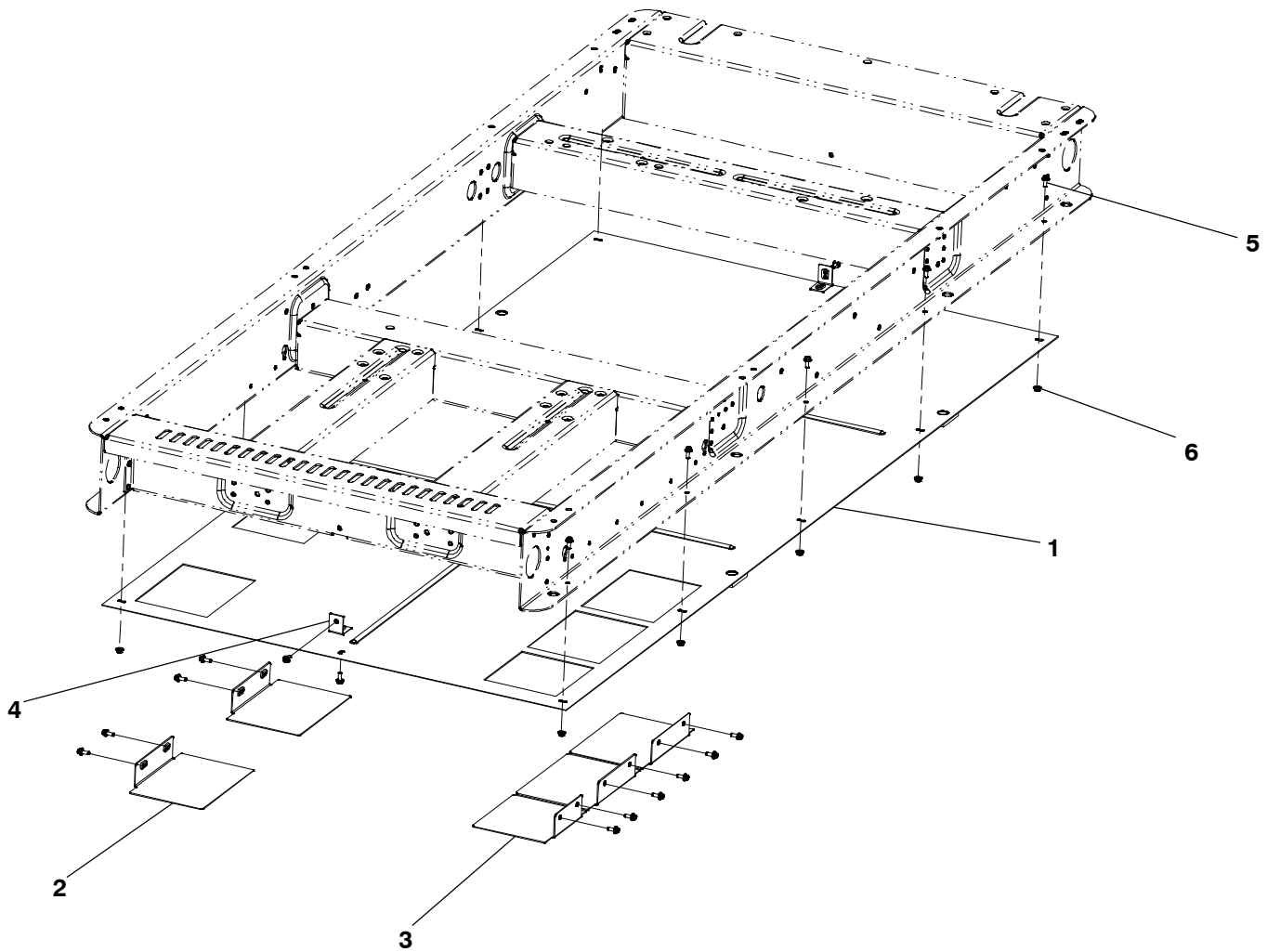
Chassis (UC22)



Chassis (UC22)

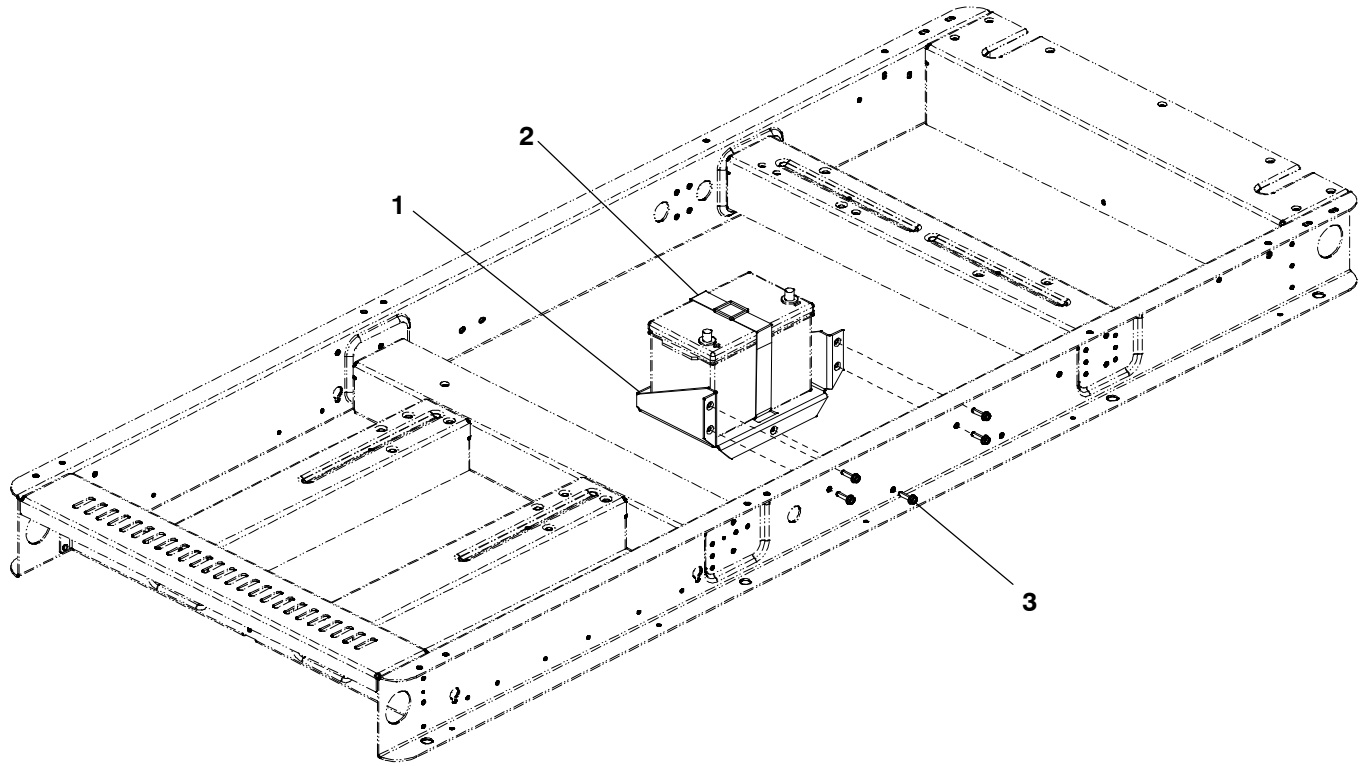
Item	Part No.	Description	Qty
1	A061K631	Chassis	1
2	0402-0779-02	Isolater, Vibration	3
3	0862-0044	Nut, Hex	3
4	0526-0238-01	Washer, Flat	5
5	0800-0607	Screw, Hex Head	3
6	A048U555	Screw, Hollow Head	6
7	0856-0010	Washer, Lock	1
8	0526-0399-61	Washer, Flat	1
9	0815-0829-06	Screw, Hollow Head	1
10	0337-0090	Strap, Electrical	1
11	A059Z995	Panel, Access	1
12	A050P483	Screw, Hex Flange Head	1
13	A052Z191	Nut, Lock	1
14	A059W839	Cover	1
15	0821-6003-01	Screw, Hex Head	1
16	A044G477	Holddown, Battery	2
17	A054E522	Line, Flexible Fuel	2

Skid Pan



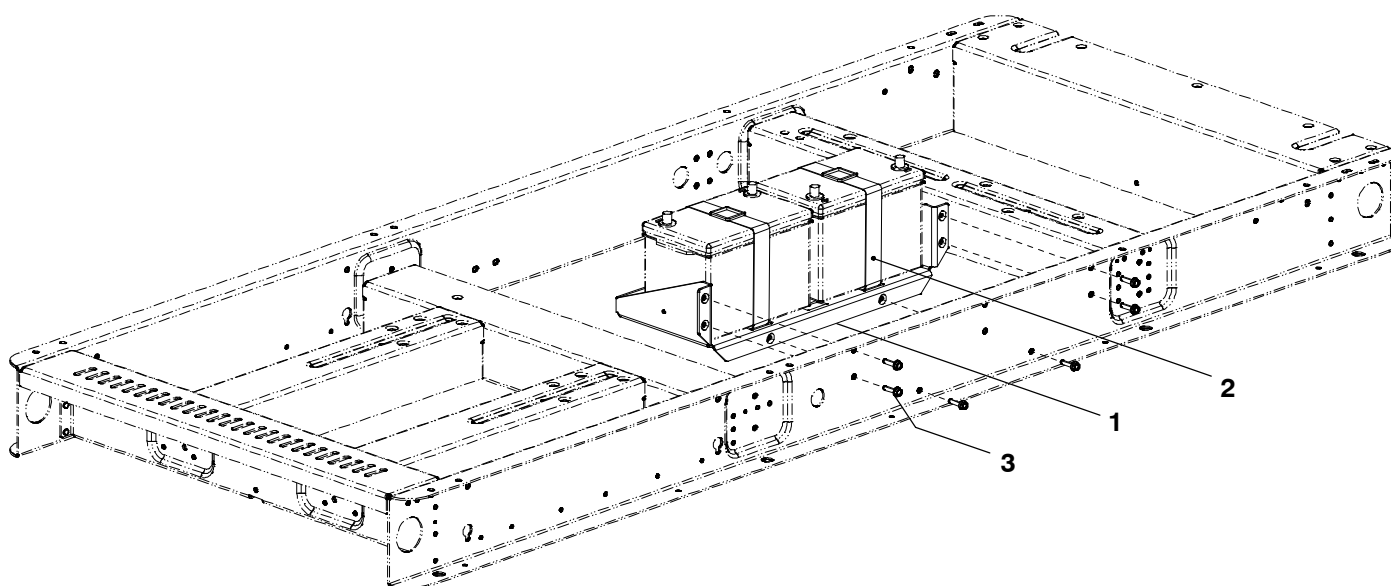
Item	Part No.	Description	Qty
1	A050L611	Pan, Skid	1
2	A050M206	Cover, Plate	4
3	A050M202	Cover, Plate	1
4	A046C014	Member, Support	2
5	0815-0857-02	Screw, Hex Head	24
6	0870-2065-02	Nut, Hex Flange	10

Battery Tray



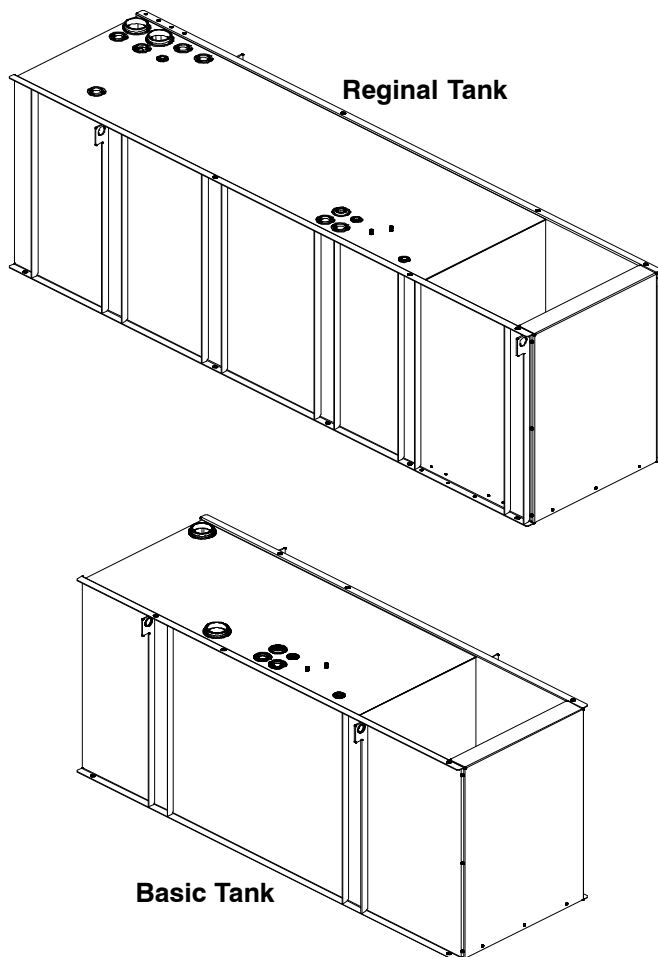
Item	Part No.	Description	Qty
1	A048Z405	Tray, Battery	1
2	A044G477	Strap, Battery	1
3	0815-0781	Screw, Hollow Head	5

Battery Tray (Large)



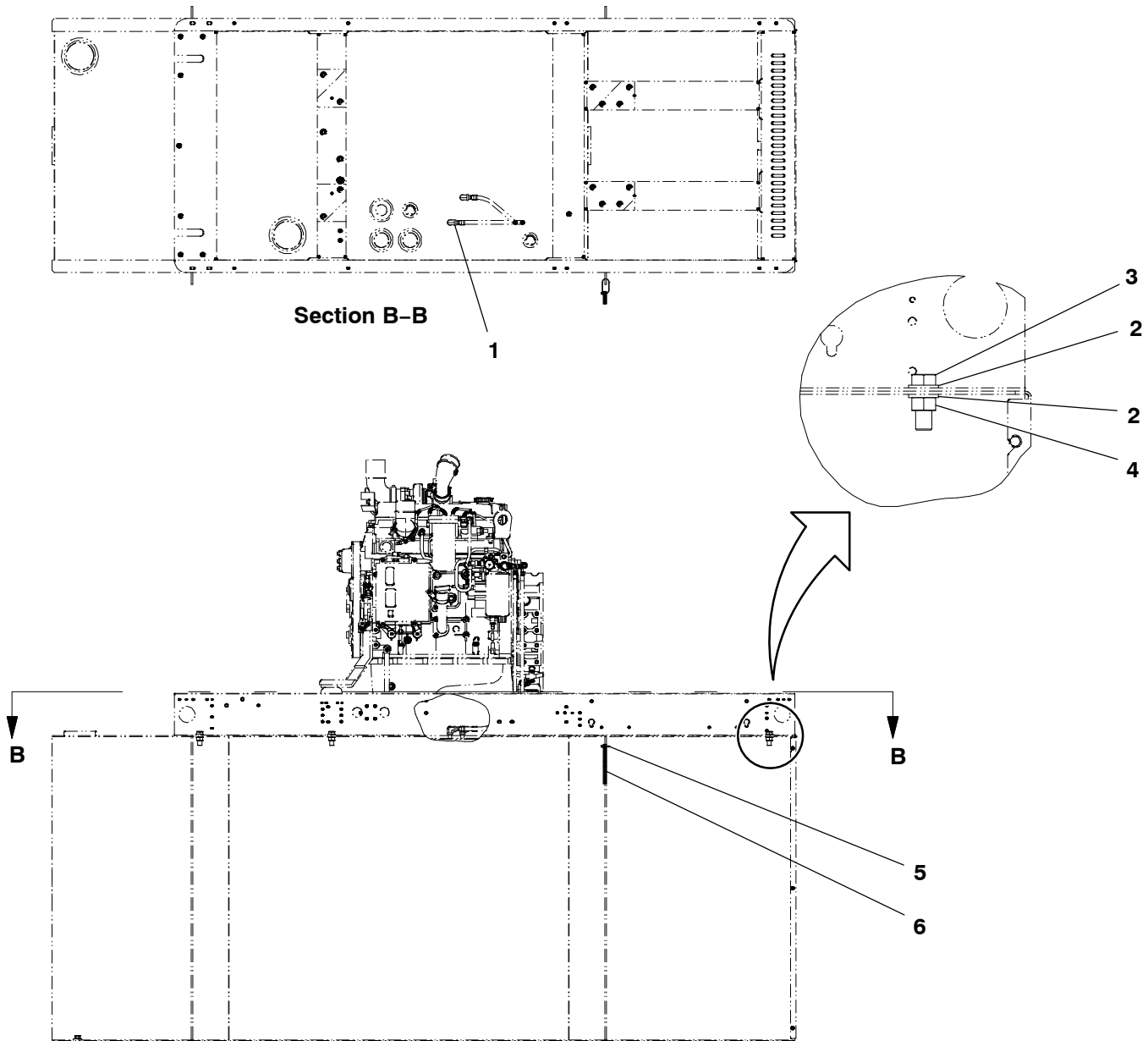
Item	Part No.	Description	Qty
1	A048P804	Tray, Battery	1
2	A044G477	Strap, Battery	2
3	0815-0781	Screw, Hollow Head	6

Fuel Tank



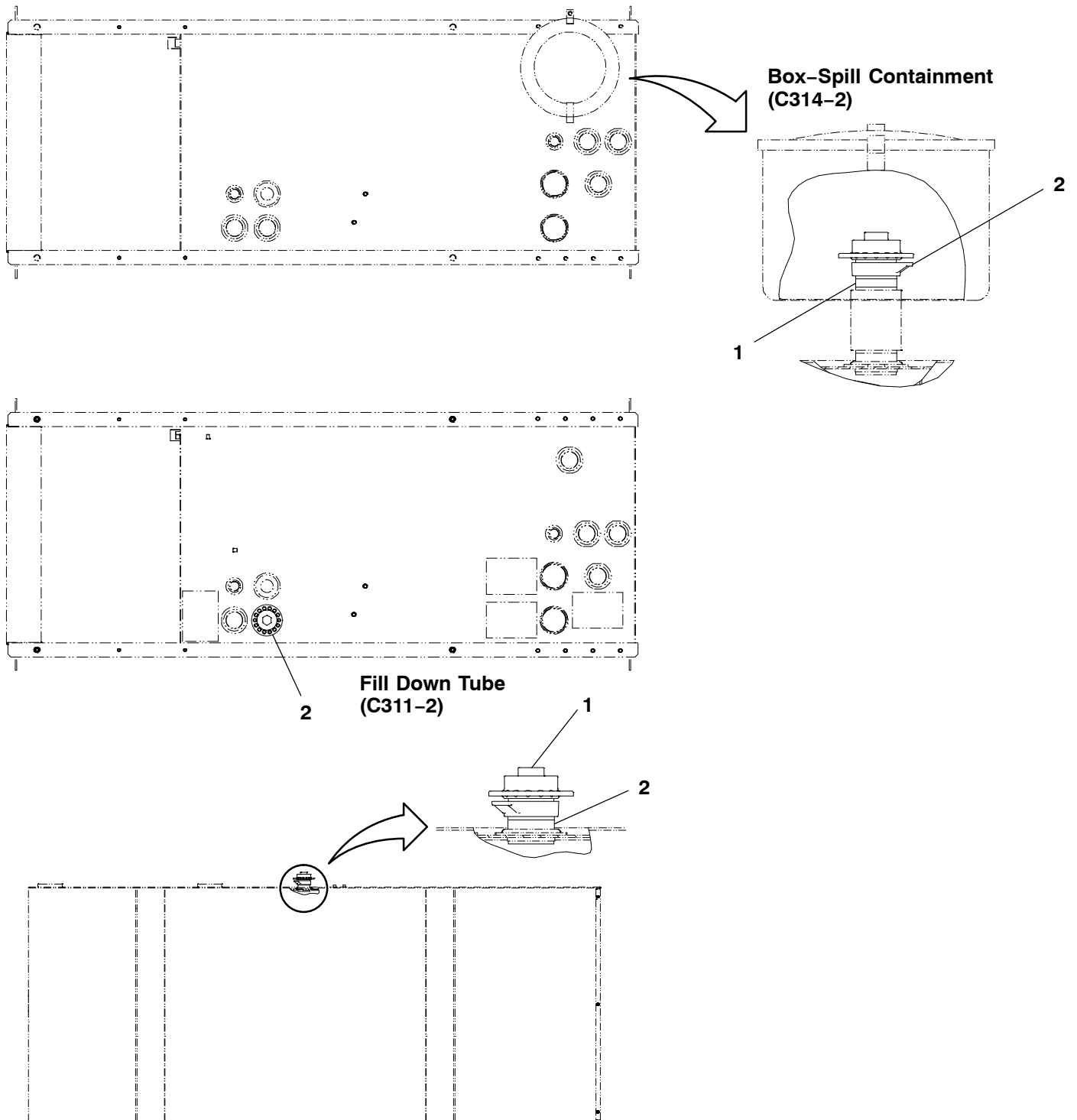
Item	Part No.	Description	Qty
1		Tank, Fuel – Regional, 2 Wall, Sub Base, 24Hr Minimum	
	A053L909	250 Gallon (C50D6C, C60D6C, C80D6C, C100D6C, C125D6C)	1
2		Tank, Fuel – Regional, 2 Wall, Sub Base, 48Hr Minimum	
	A053L911	425 Gallon (C50D6C, C60D6C, C80D6C, C100D6C)	1
	A053L912	625 Gallon (C125D6C)	1
3		Tank, Fuel – Regional, 2 Wall, Sub Base, 72Hr Minimum	
	A053L911	425 Gallon (C50D6C)	1
	A053L912	625 Gallon (C60D6C, C80D6C, C100D6C)	1
4		Tank, Fuel – Regional, 2 Wall, Sub Base, 96Hr Minimum	
	A053L912	625 Gallon (C50D6C, C60D6C)	1
5		Tank, Fuel – Basic, 2 Wall, Sub Base, 24Hr Minimum	
	A053H409	260 Gallon (C50D6C, C60D6C, C80D6C, C100D6C, C125D6C)	1
6		Tank, Fuel – Basic, 2 Wall, Sub Base, 48Hr Minimum	
	A053H409	260 Gallon (C50D6C)	1
	A053H411	353 Gallon (C60D6C, C80D6C)	1
	A053H412	526 Gallon (C100D6C, C125D6C)	1

Fuel Tank Installation



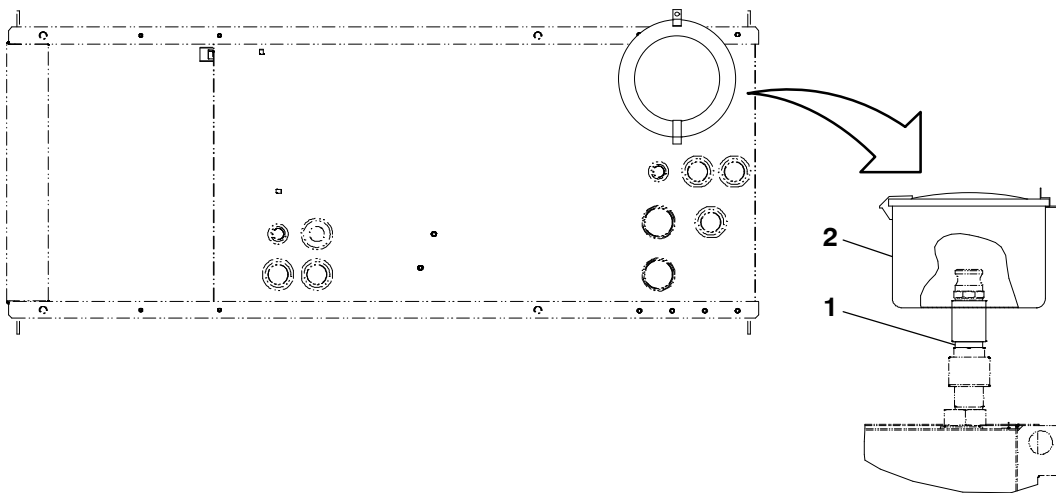
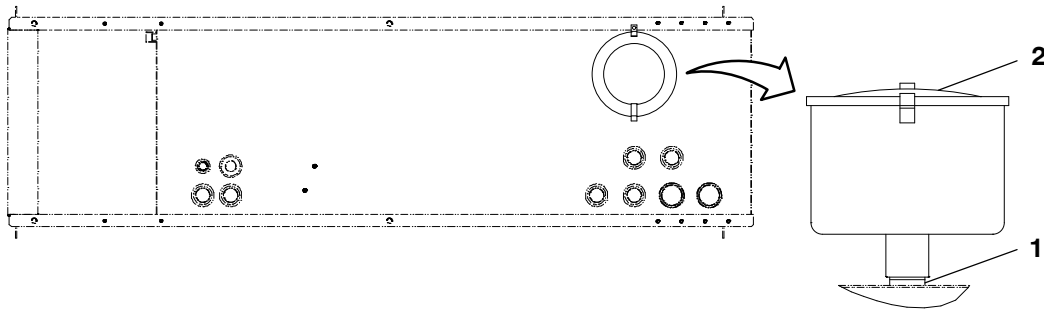
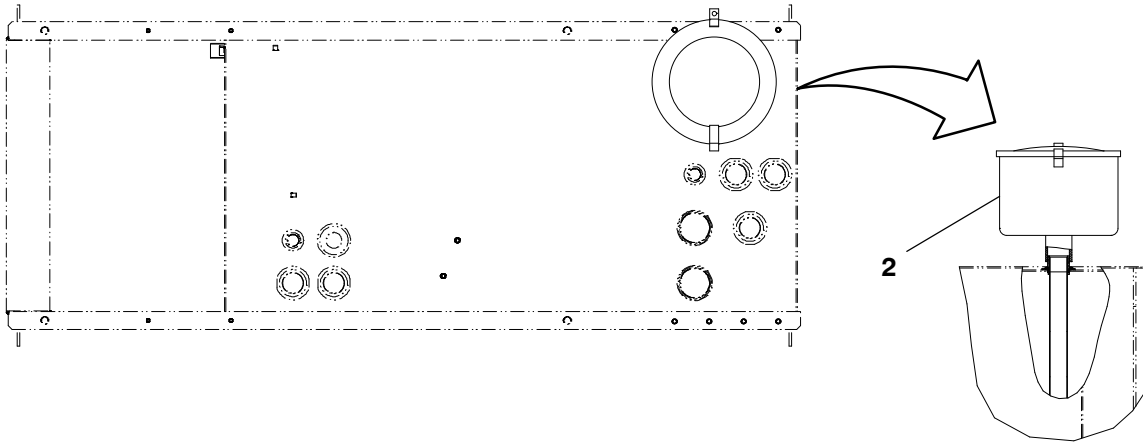
Item	Part No.	Description	Qty
1	A048T648	Elbow, Female	2
2	0526-0399-66	Washer, Flat	12
3	0800-3017-73	Screw, Hex Head	6
4	0862-0026-58	Nut, Hex	6
5	0332-0941	Tie, Cable	1
6	A046V710	Shim	10

Filler Neck (24, 48, 72 Hour)



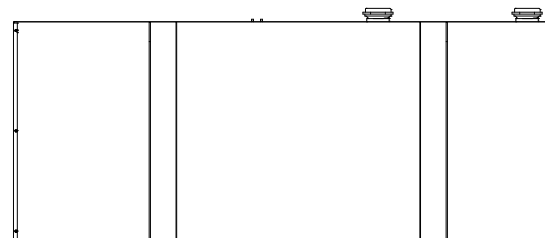
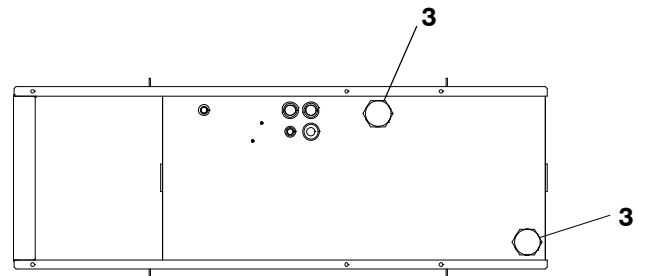
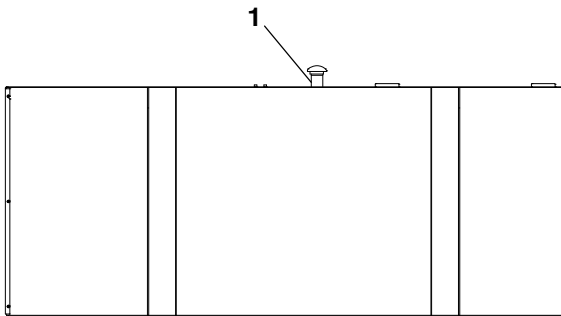
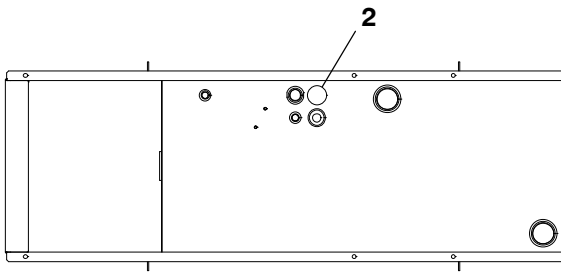
Item	Part No.	Description	Qty
1	0505-0172	Nipple, Close	1
2	A045Z195	Cap, Fuel Tank	1

Filler Neck (Box–Spill Containment, 5 Gal, Lockable)



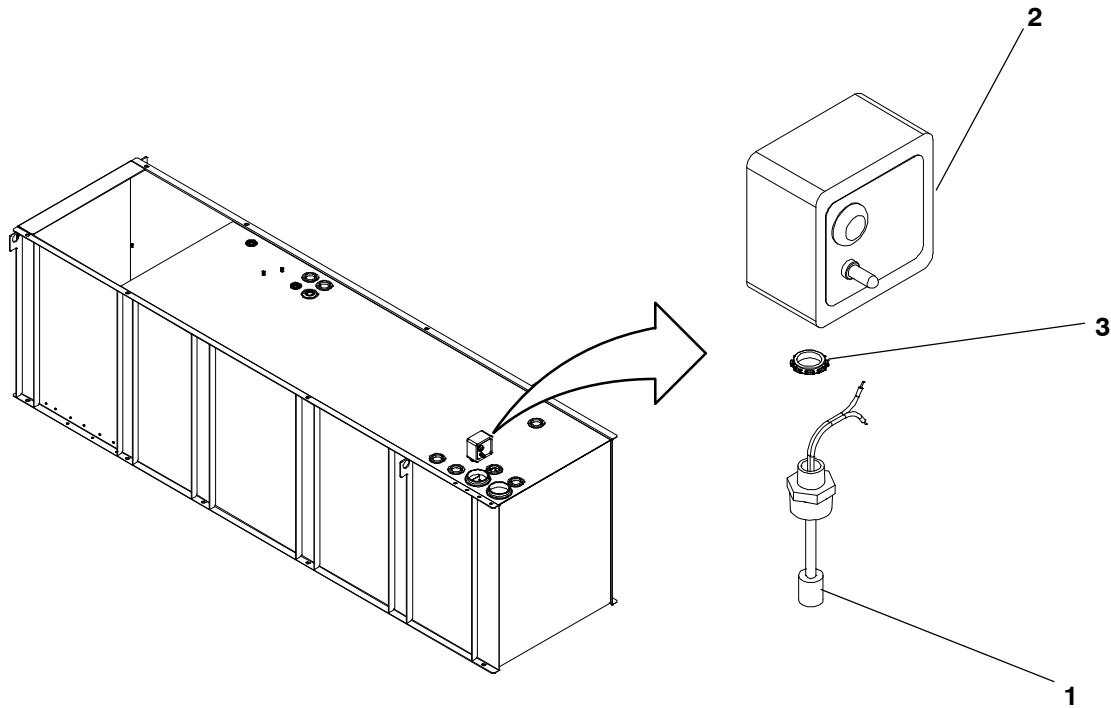
Item	Part No.	Description	Qty
1	0505-0172	Nipple, Close	1
2	A045T481	Tank, Fuel	1

Fuel Tank Vent



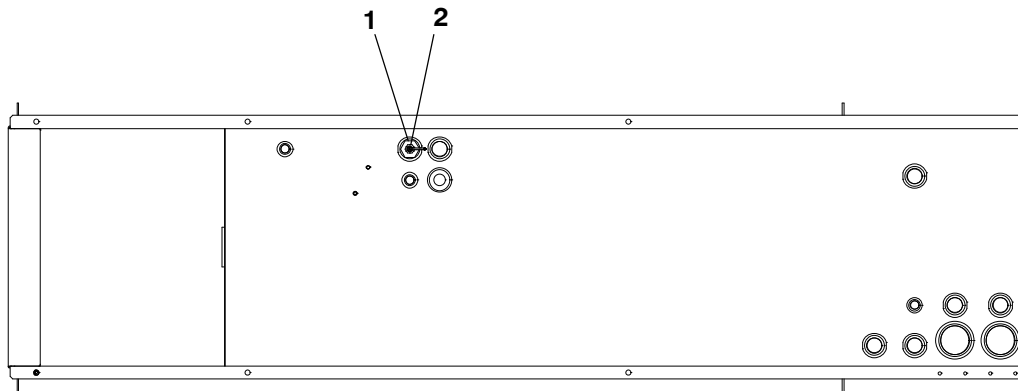
Item	Part No.	Description	Qty
1	0505-0173	Fitting, Nipple	1
2	0159-1371-03	Cap, Vent	1
3	A046V520	Vent, Fuel Tank	2

Alarm Panel – High Fuel



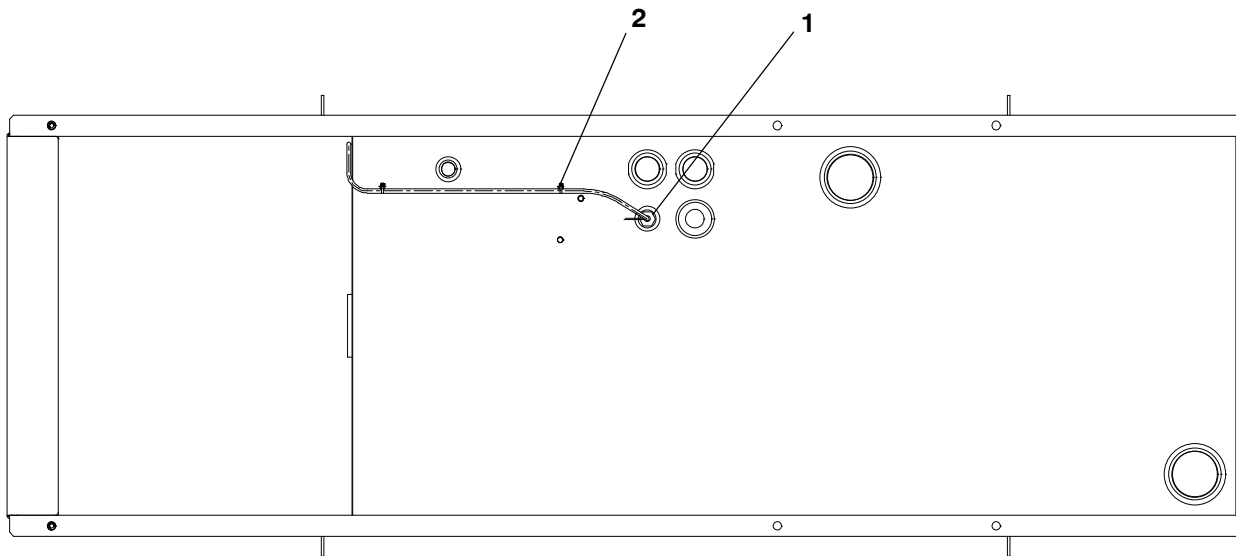
Item	Part No.	Description	Qty
1		Switch, Fuel Level	
	A045T375	24 Hr. (All Models)	1
	A054J324	48 Hr. Regional (C50D6C, C60D6C, C80D6C, C100D6C) 72 Hr. Regional (C50D6C)	1
	A054J325	48 Hr. Regional (C125D6C) 72 Hr. Regional (C60D6C, C80D6C, C100D6C) 96 Hr. Regional (C50D6C, C60D6C)	1
2	A045T423	Module, Alarm	1
3	0331-0532	Nut, Sealing Lock	1

High Fuel Switch (90%)



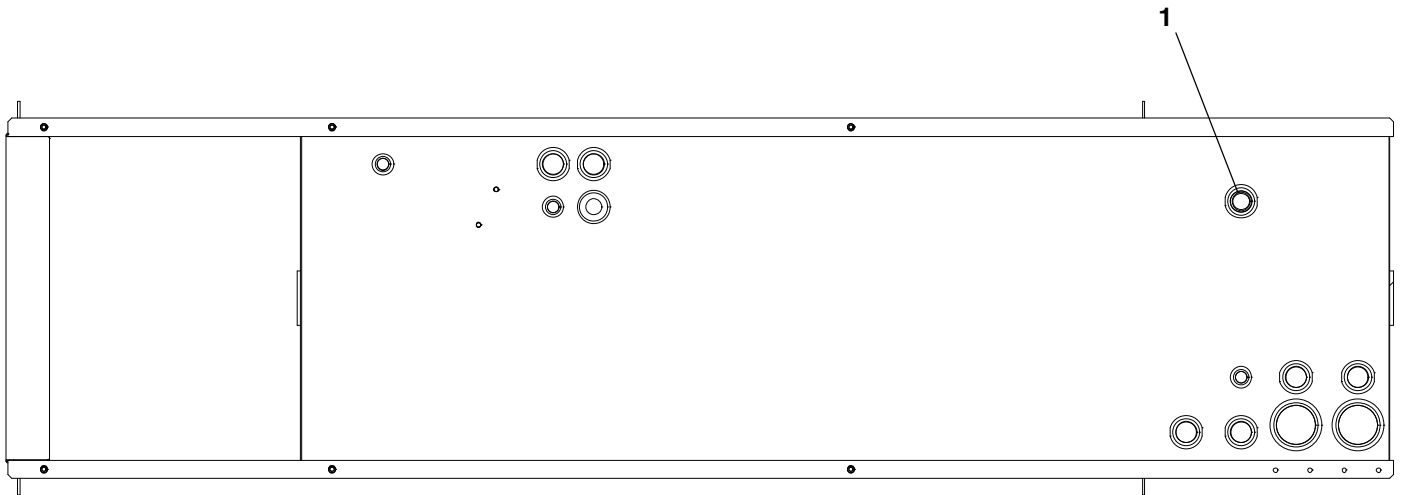
Item	Part No.	Description	Qty
1	0505-0394	Bushing, Reducer	1
2		Switch, Fuel Level	
	A045T375	24 Hr. (All Models)	1
	A054J324	48 Hr. (All Models)	1
	A054J325	72 Hr. (C50 D6C, C60 D6C, C80 D6C, C100 D6C) 96 Hr. (C50 D6C, C60 D6C)	1

Low Fuel Switch (40%)



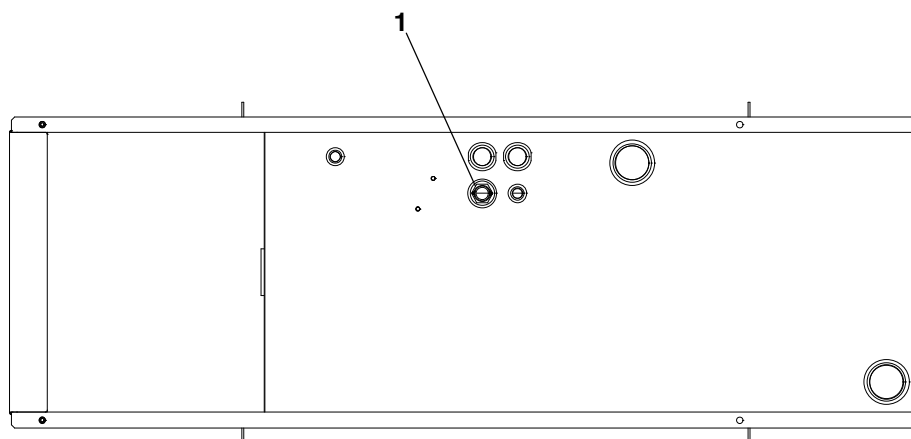
Item	Part No.	Description	Qty
1		Switch, Fuel Level	
	A054J405	24 Hr. Basic (All Models) – 48 Hr Basic (C50 D6C)	1
	A054J406	48 Hr. Regional (C50 D6C, C60 D6C, C80 D6C, C100 D6C) 72 Hr. Regional (C50 D6C)	1
	A054J407	48 Hr. Regional (C100 D6C, C125 D6C) 72 Hr. Regional (C60 D6C, C100 D6C) 96 Hr. Regional (C50 D6C, C60 D6C)	1
2	A044D694	Tie, Cable	2

Filler Neck – Fill Down, 6” from Bottom



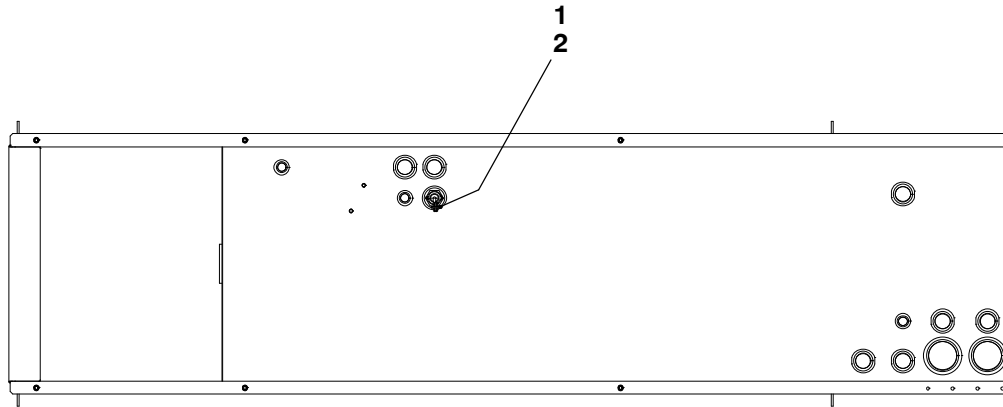
Item	Part No.	Description	Qty
1		Tube, Fill	
	A054E921	48 Hr (C125 D6C) 72 Hr. (C60 D6C, C80 D6C, C100 D6C) 96 Hr. (C50 D6C, C60 D6C)	1
	A054E924	48 Hr. (C50 D6C, C60 D6C, C80 D6C, C100 D6C) 72 Hr. (C50 D6C)	1
	A054E925	24 Hr. (All Models)	1

Mechanical Fuel Gauge



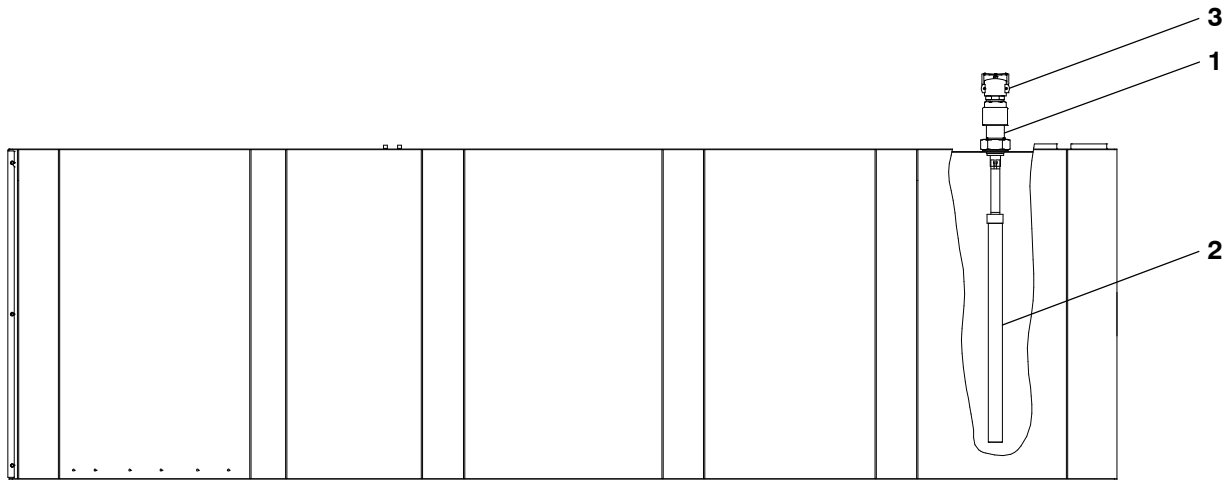
Item	Part No.	Description	Qty
1		Gauge, Level	
	A054G163	24 Hr (All Models) 48 Hr. (C50 D6C)	1
	A054G164	48 Hr (C50 D6C, C60 D6C, C80 D6C, C100 D6C) 72 Hr. (C50 D6C)	1
	A054G165	48 Hr (C100 D6C, C125 D6C) 72 Hr. (C60 D6C, C80 D6C, C100 D6C) 96 Hr. (C50 D6C, C60 D6C)	1

Electronic Fuel Gauge



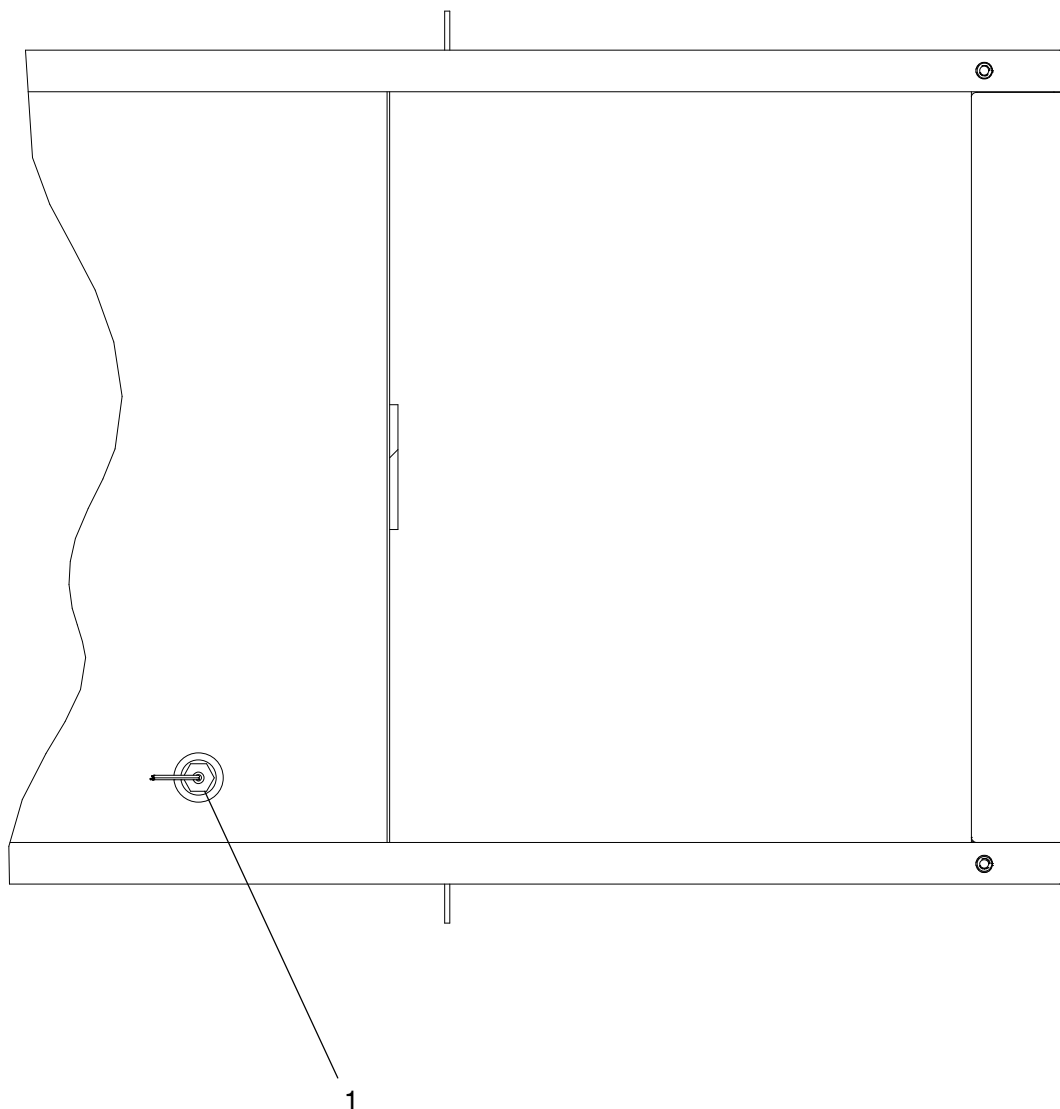
Item	Part No.	Description	Qty
1		Sensor, Level	
	A054K430	24 Hr (All Models)	1
	A054K431	48 Hr (C50 D6C, C60 D6C, C80 D6C, C100 D6C) 72 Hr. (C50 D6C)	1
	A054K432	48 Hr (C125 D6C) 72 Hr. (C60 D6C, C80 D6C, C100 D6C) 96 Hr. (C50 D6C, C60 D6C)	1
2	0332-0941	Tie, Cable	1

Valve



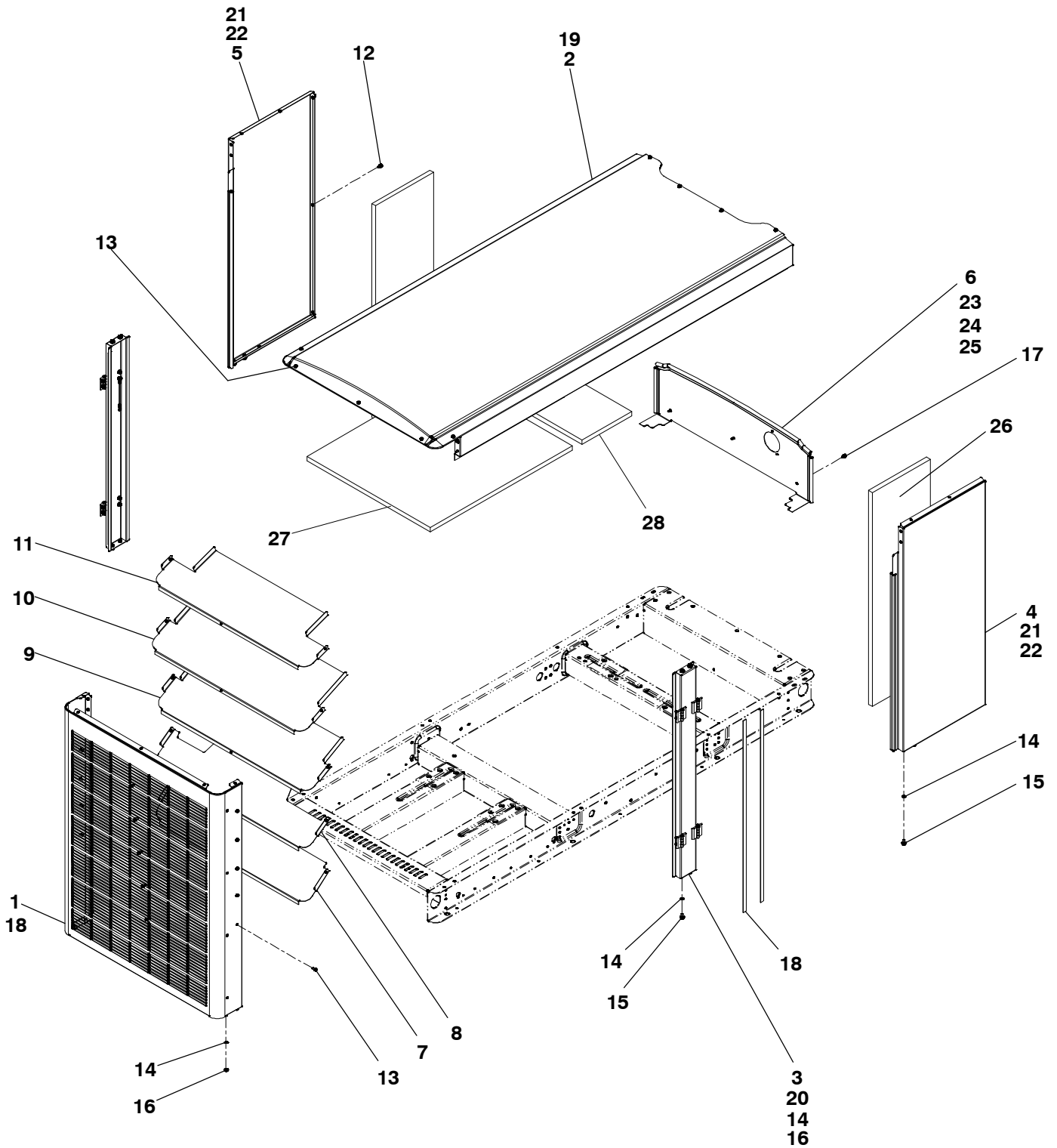
Item	Part No.	Description	Qty
1	A045T464	Valve	1
2		Fitting, Nipple	
	A054H761	24 Hr. (All Models)	1
	A054H762	48 Hr. (C50 D6C, C60 D6C, C80 D6C, C100 D6C) 72 Hr. (C50 D6C)	1
	A054H764	48 Hr. (C125 D6C) 72 Hr. (C60 D6C, C80 D6C, C100 D6C) 96 Hr. (C50 D6C, C60 D6C)	1
3	A046P417	Adapter, Coupling	1

Switch–Fuel Tank, Rupture Basin Installed



Item	Part No.	Description	Qty
1		Switch, Fuel Level	
	A054D642	24 Hr. Regional (All Models)	1
	A054D634	48 Hr. Basic (C100 D6C, C125 D6C)	1
	A054D636	48 Hr. Basic (C60 D6C, C80 D6C)	1
	A054D637	24 Hr. Basic (All Models) 48 Hr. Basic (C125 D6C)	1
	A054D638	72 Hr. Regional (C60 D6C, C80 D6C, C100 D6C) 48 Hr. Regional (C125 D6C) 96 Hr. Regional (C50 D6C, C60 D6C)	1
	A054D639	48 Hr. Regional (C50 D6C, C60 D6C, C80 D6C, C100 D6C) 72 Hr. (C50 D6C)	1

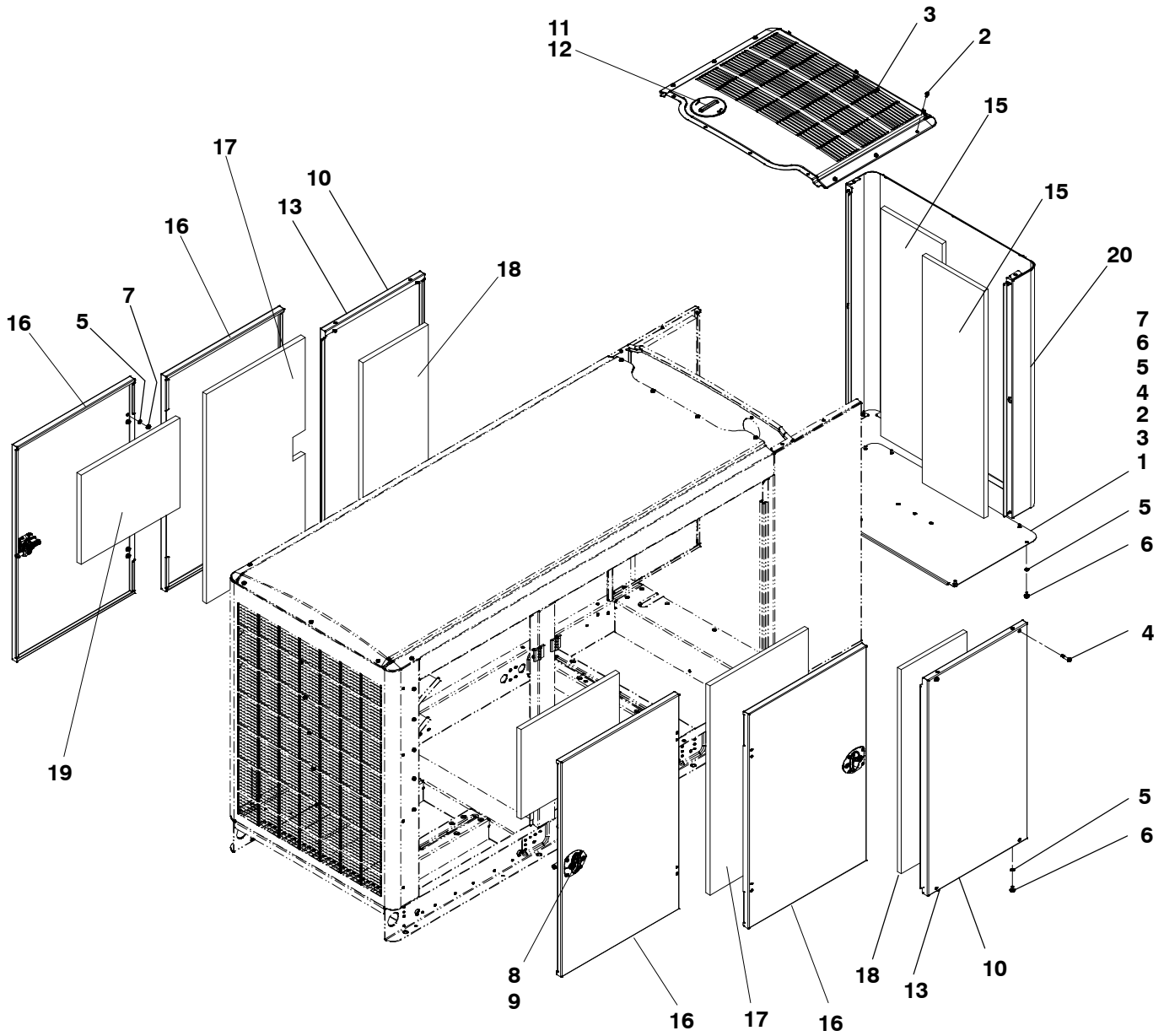
Enclosure Green (F217) (Illustration #1)



Enclosure – Green (F217) (Illustration #1)

Item	Part No.	Description	Qty
1	A060V266	Cover, Air Inlet	1
2	A052M814	Roof, Enclosure	1
3	A052M797	Post, Enclosure	2
4	A052M820	Panel, Enclosure	1
5	A052M822	Panel, Enclosure	1
6	A052K469	Panel, Bulkhead	1
7	A048M825	Louver, Enclosure	1
8	A048M837	Louver, Enclosure	1
9	A048M830	Louver, Enclosure	1
10	A048M843	Louver, Enclosure	1
11	A048M847	Louver, Enclosure	1
12	A046T081	Screw, Shoulder	2
13	A050P483	Screw, Hex Flange Head	28
14	0853–2008	Washer, Lock	16
15	0821–6003–01	Screw, Hex Head	12
16	0870–2065–03	Nut, Hex Flange	4
17	A045Z943	Screw, Hex Flange Head	3
18	A049H454	Gasket, Door	4
19	A049H452	Gasket, Door	4
20	A048C271	Hinge, Door	4
21	A048V153	Seal, Edge	A/R
22	0895–0381	Seal, Weather	A/R
23	A049H572	Seal, Edge	A/R
24	0508–0330	Seal, Edge	A/R
25	A050R766	Seal, Edge	A/R
26	A048M651	Insulation, Panel	2
27	A047Z339	Insulation, Panel	1
28	A048K751	Insulation, Panel	1

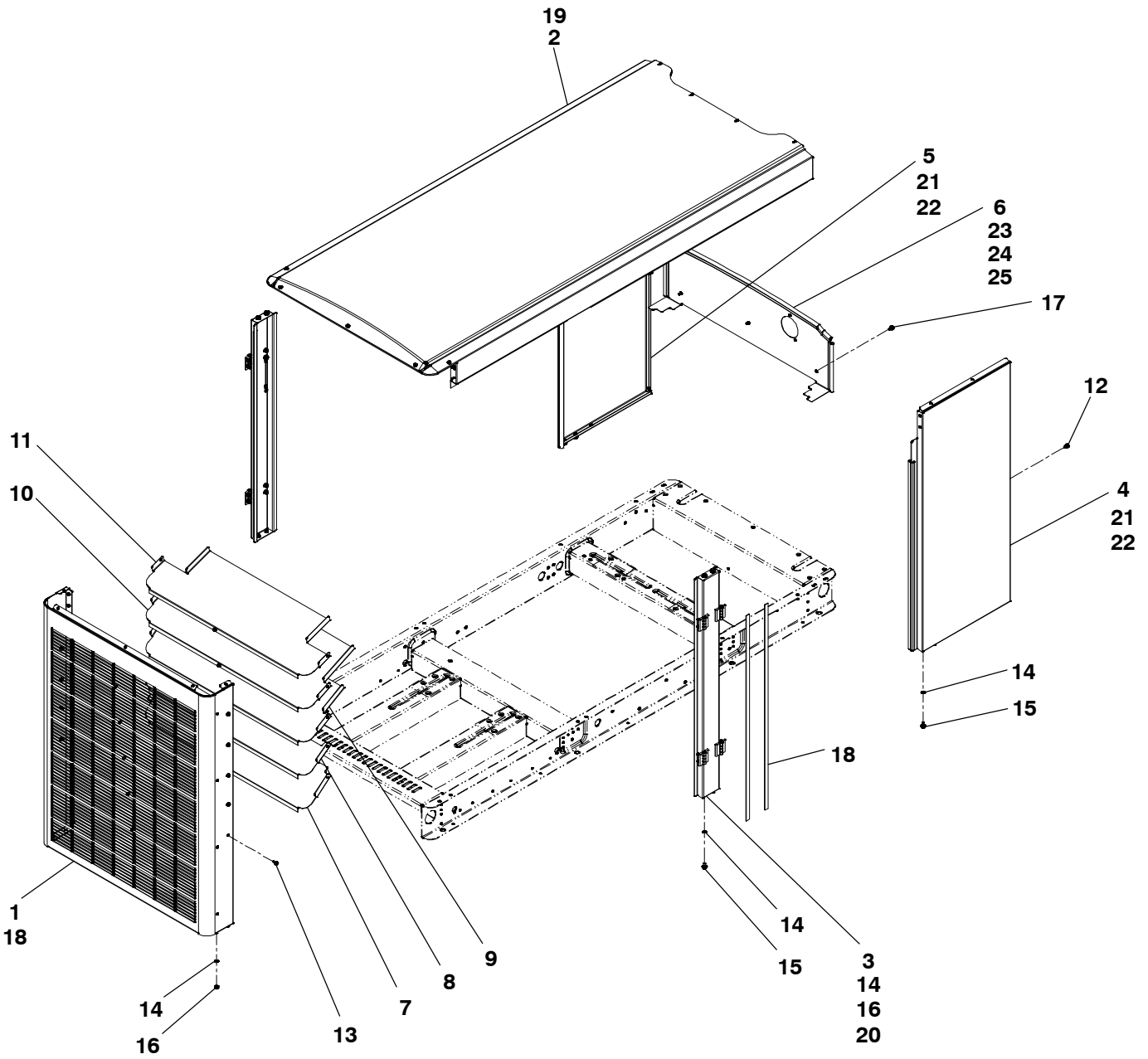
Enclosure - Green (F217) (Illustration #2)



Enclosure – Green (F217) (Illustration #2)

Item	Part No.	Description	Qty
1	A060D569	Panel, Enclosure	1
2	A050P483	Screw, Hex Flange Head	17
3	0332-1794	Tie, Cable	1
4	A050P481	Screw, Hex Flange Head	4
5	0853-2008	Washer, Lock	27
6	0821-6003-01	Screw, Hex Head	11
7	0870-2065-03	Nut, Hex Flange	16
8	A052K217	Latch	1
9	A052K217	Rivet, Pop	4
10	A049H454	Gasket, Door	1
11	A045M805	Cap, Fill	1
12	A044L228	Washer, Lock	1
13	A052M805	Panel, Enclosure	2
14	A052M816	Roof, Enclosure	1
15	A048M651	Panel, Insulation	2
16	A052M787	Panel, Enclosure	4
17	A047Z325	Insulation, Panel	2
18	A048M385	Insulation, Panel	2
19	A047Z323	Insulation, Panel	2
20	A052K387	Cover, Air Outlet	1

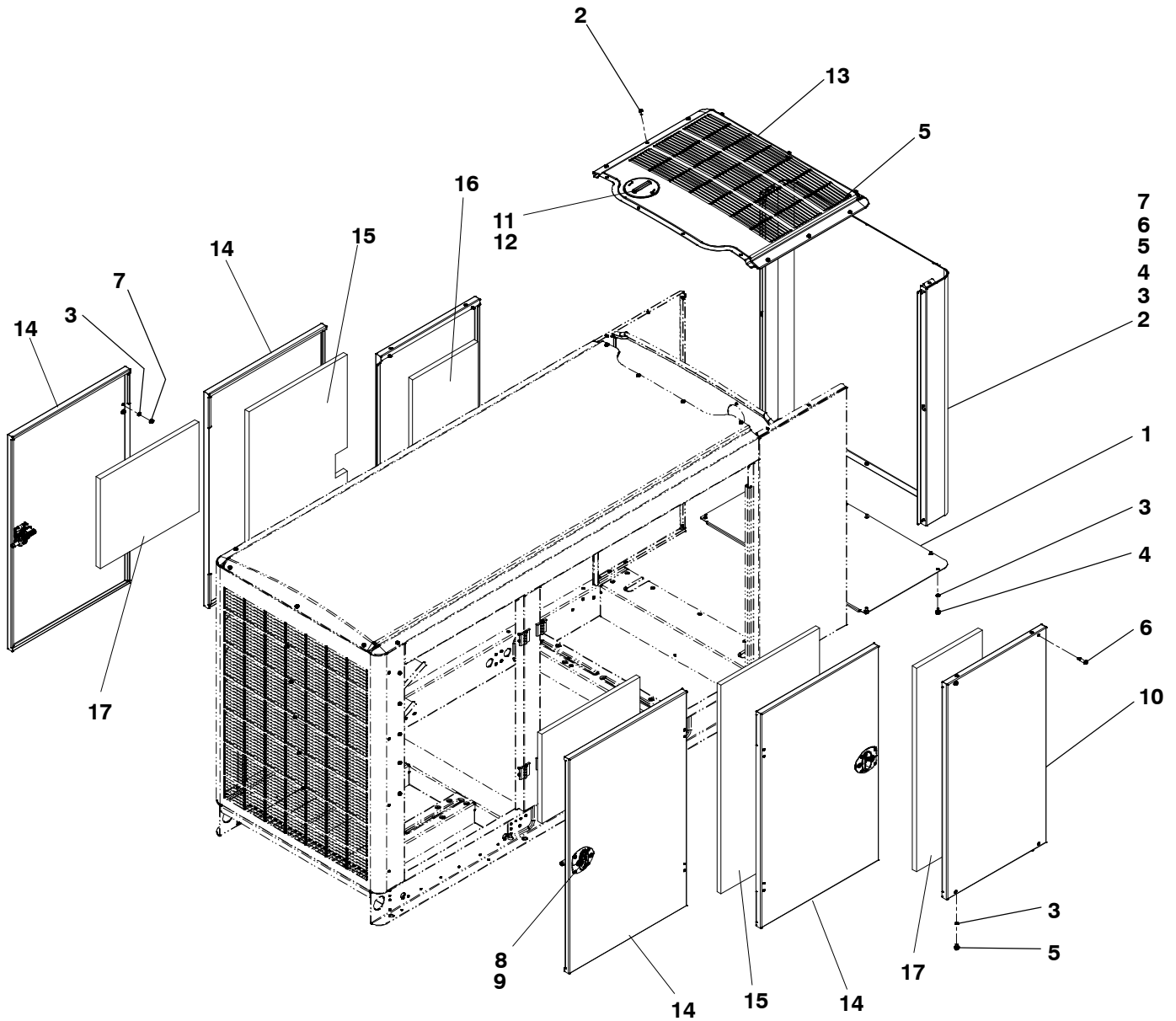
Enclosure - Green (F231) (Illustration #1)



Enclosure – Green (F231) (Illustration #1)

Item	Part No.	Description	Qty
1	A060V266	Cover, Air Inlet	1
2	A052M814	Roof, Enclosure	1
3	A052M797	Post, Enclosure	2
4	A052M820	Panel, Enclosure	1
5	A052M822	Panel, Enclosure	1
6	A052K469	Panel, Bulkhead	1
7	A048M825	Louver, Enclosure	1
8	A048M837	Louver, Enclosure	1
9	A048M830	Louver, Enclosure	1
10	A048M843	Louver, Enclosure	1
11	A048M847	Louver, Enclosure	1
12	A046T081	Screw, Shoulder	2
13	A050P483	Screw, Hex Flange Head	28
14	0853–2008	Washer, Lock	16
15	0821–6003–01	Screw, Hex Head	12
16	0870–2065–03	Nut, Hex Flange	4
17	A045Z943	Screw, Hex Flange Head	3
18	A049H454	Gasket, Door	4
19	A049H452	Gasket, Door	A/R
20	A048C271	Hinge, Door	4
21	A048V153	Seal, Edge	A/R
22	0895–0381	Seal, Weather	A/R
23	A049H572	Seal, Edge	A/R
24	0508–0330	Seal, Edge	A/R
25	A050R766	Seal, Edge	A/R

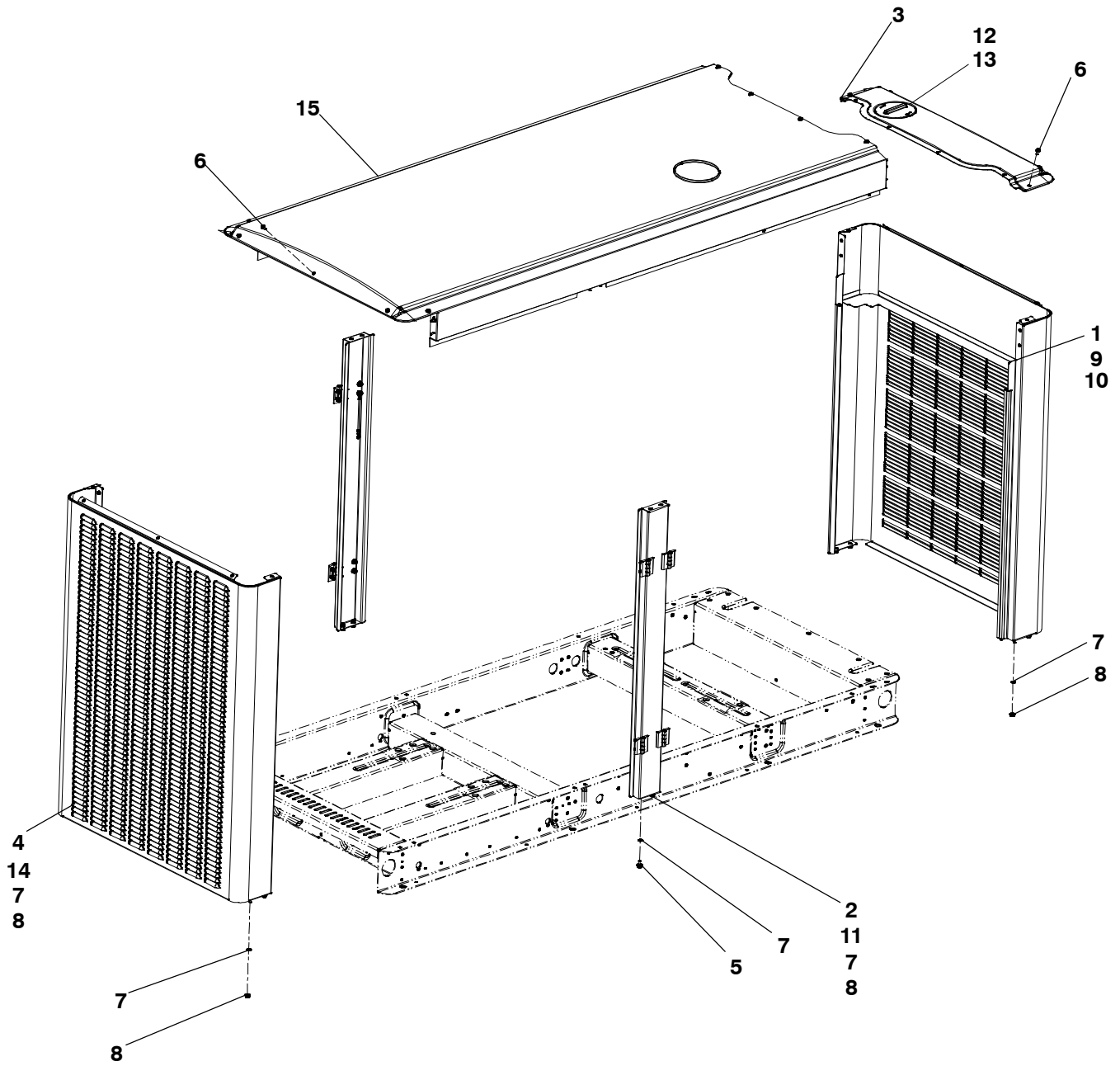
Enclosure - Green (F231) (Illustration #2)



Enclosure – Green (F231) (Illustration #2)

Item	Part No.	Description	Qty
1	A060D569	Panel, Enclosure	1
2	A050P483	Screw, Hex Flange Head	17
3	0853–2008	Washer, Lock	27
4	0821–6003–01	Screw, Hex Head	11
5	0332–1794	Tie, Cable	1
6	A050P481	Screw, Hex Flange Head	4
7	0870–2065–03	Nut, Hex Flange	A/R
8	A052K217	Latch	A/R
9	A052K217	Rivet, Pop	A/R
10	A049H454	Gasket, Door	A/R
11	A045M805	Cap, Fill	A/R
12	A044L228	Washer, Lock	A/R
13	A052M816	Roof, Enclosure	1
14	A052M787	Panel, Enclosure	4
15	A047Z325	Insulation, Panel	2
16	A048M385	Insulation, Panel	2
17	A047Z323	Insulation, Panel	2

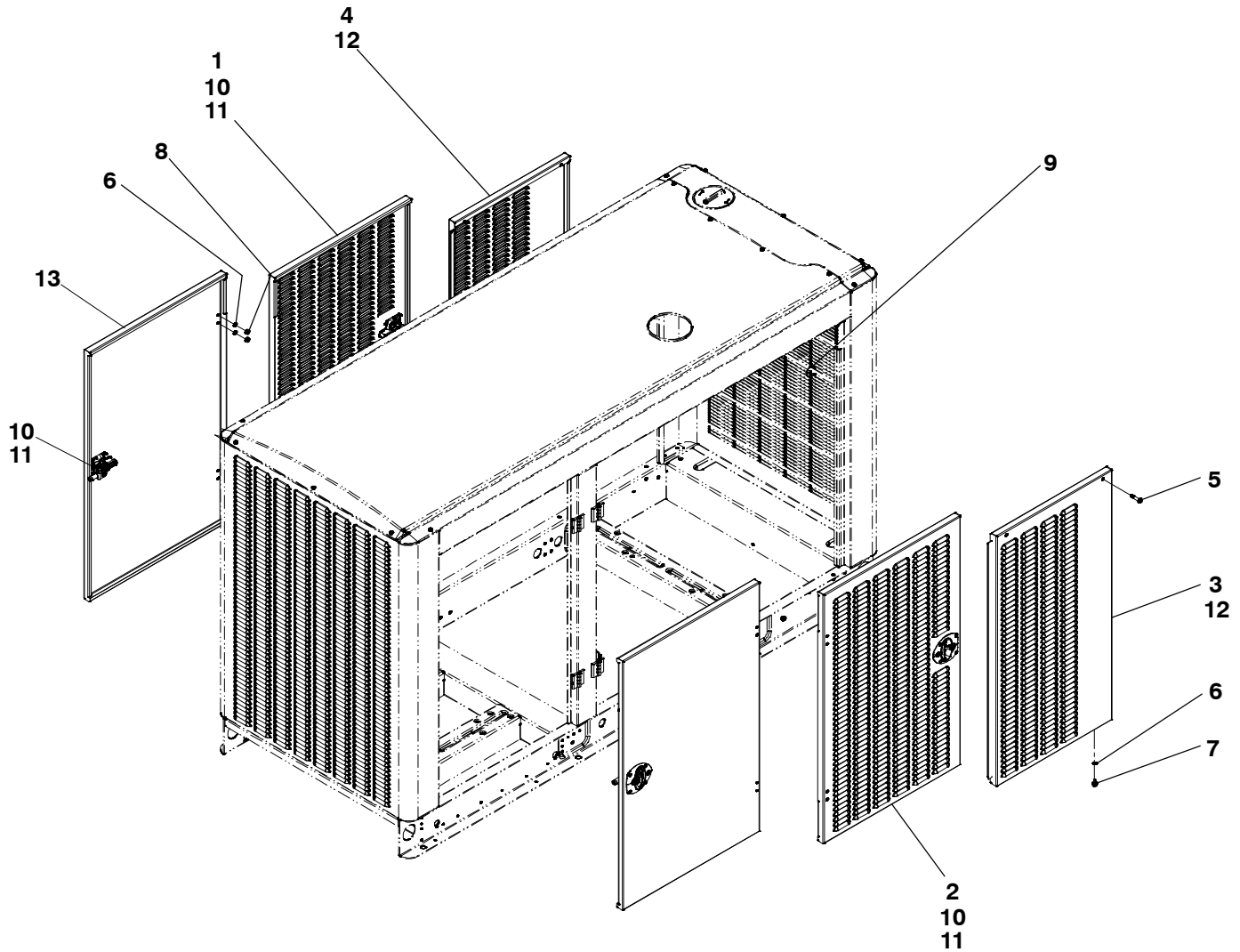
Enclosure - Green (F216) (Illustration #1)



Enclosure – Green (F216) (Illustration #1)

Item	Part No.	Description	Qty
1	A061N699	Cover, Air Outlet	1
2	A052M797	Post, Enclosure	2
3	A052M818	Roof, Enclosure	1
4	A061G947	Cover, Air Inlet	1
5	0821–6003–01	Screw, Hex Head	8
6	A050P483	Screw, Hex Flange Head	22
7	0853–2008	Washer, Lock	16
8	0870–2065–03	Nut, Hex Flange	8
9	A048V153	Seal, Edge	A/R
10	0895–0381	Seal, Weather	A/R
11	A048C271	Hinge, Door	4
12	A045M805	Cap, Fill	1
13	A044L228	Washer, Lock	1
14	A049H454	Gasket, Door	A/R
15	A052K343	Roof, Enclosure	1

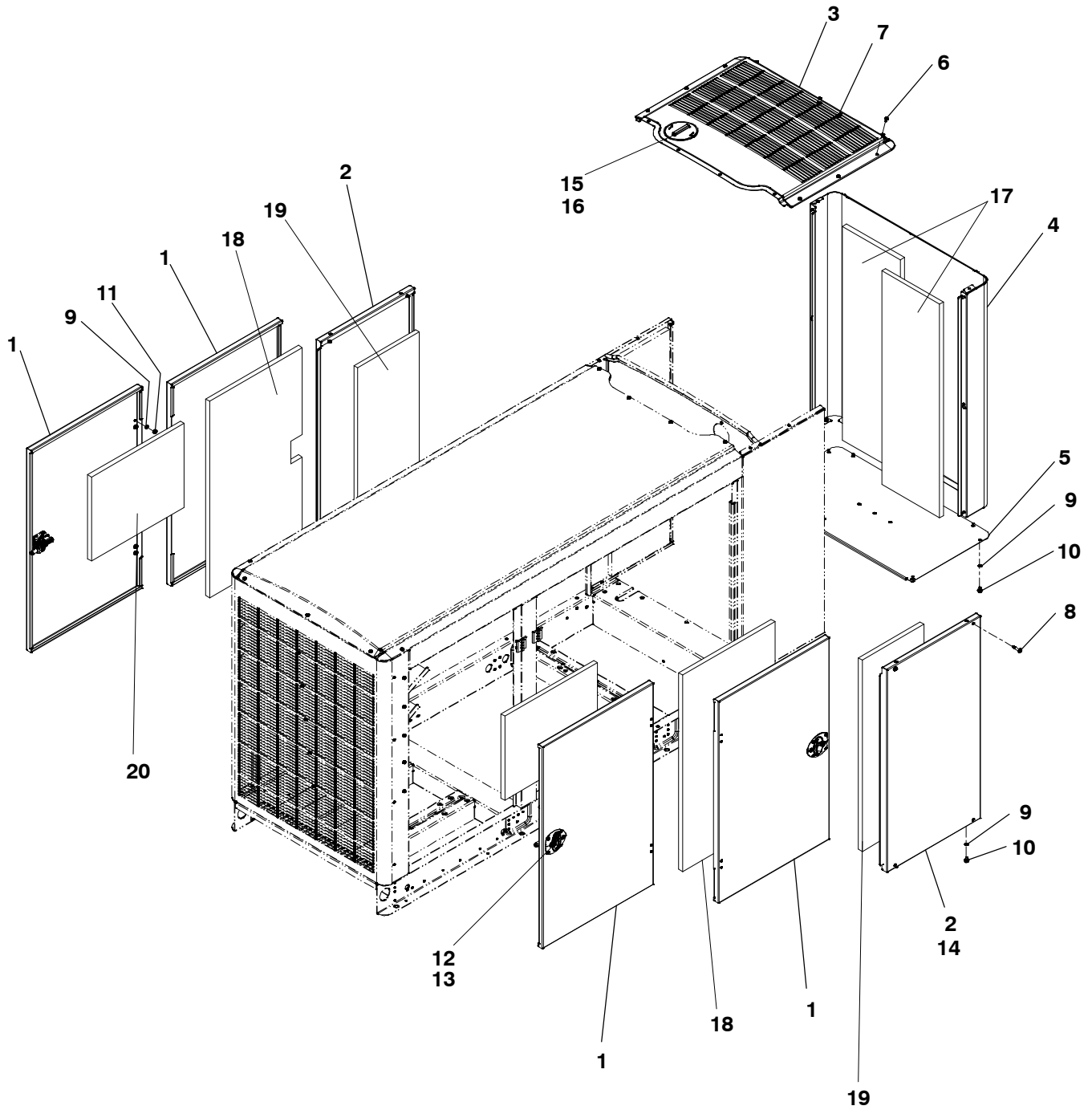
Enclosure – Green (F216) (Illustration #2)



Item	Part No.	Description	Qty
1	A061G939	Panel, Enclosure	1
2	A061K250	Panel, Enclosure	1
3	A061K246	Panel, Enclosure	1
4	A061K240	Panel, Enclosure	1
5	A050P481	Screw, Hex Flange Head	4
6	0853-2008	Washer, Lock	20
7	0821-6003-01	Screw, Hex Head	4
8	0870-2065-03	Nut, Hex Flange	16
9	0332-1794	Tie, Cable	1
10	A052K217	Latch	A/R
11	A052K217	Rivet, Pop	A/R
12	A049H454	Gasket, Door	A/R
13	A052M787	Panel, Enclosure	2

This page is Intentionally blank.

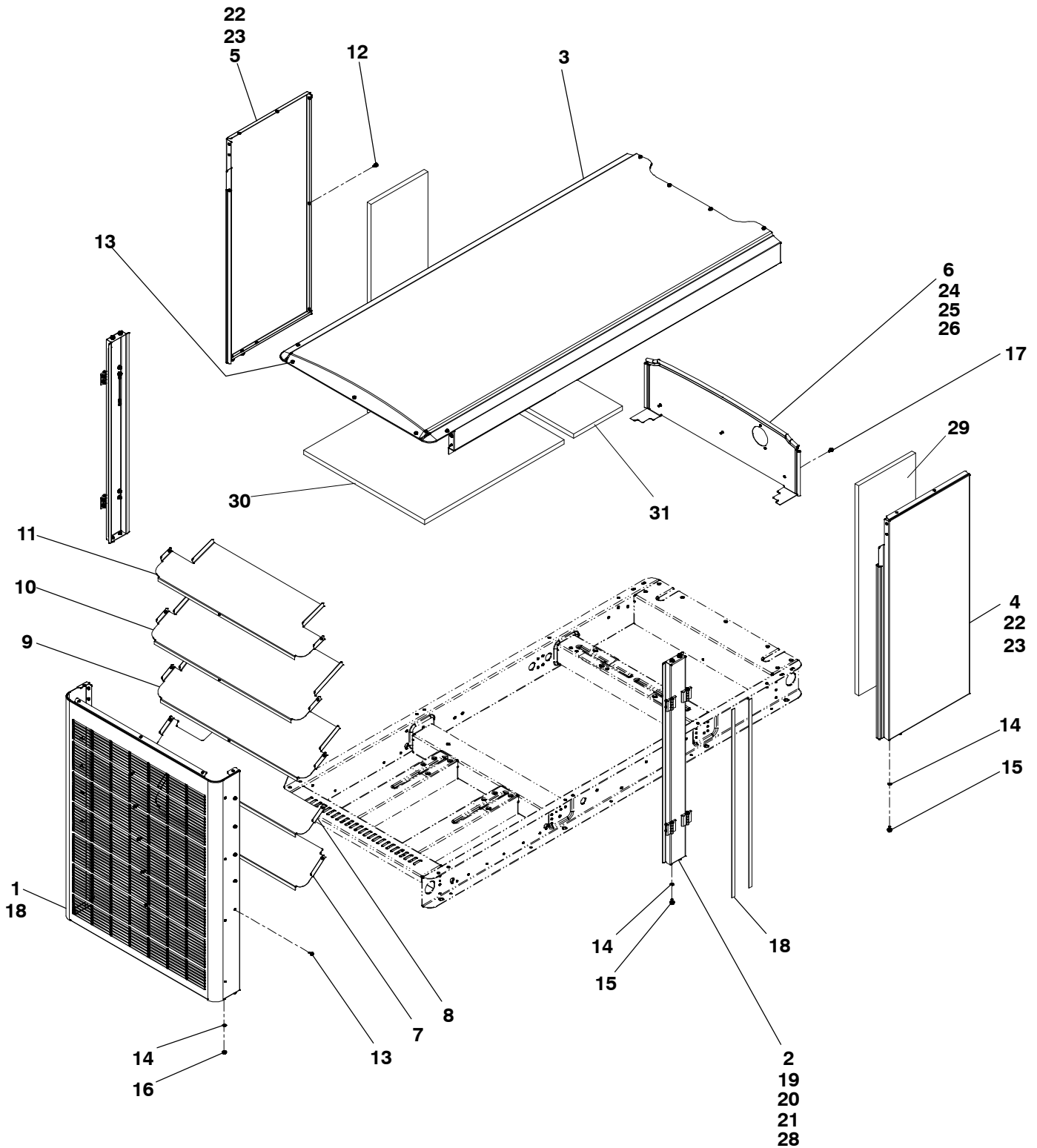
Enclosure – Sandstone (F217) (Illustration #1)



Enclosure – Sandstone (F217) (Illustration #1)

Item	Part No.	Description	Qty
1	A052K217	Panel, Enclosure	4
2	A052K276	Panel, Enclosure	2
3	A052K450	Roof, Enclosure	1
4	A048M458	Cover, Air Outlet	1
5	A060D569	Panel, Enclosure	1
6	A050P483	Screw, Hex Flange Head	17
7	0332-1794	Tie, Cable	1
8	A050P481	Screw, Hex Flange Head	4
9	0853-2008	Washer, Lock	27
10	0821-6003-01	Screw, Hex Head	11
11	0870-2065-03	Nut, Hex Flange	16
12	A052K217	Latch	A/R
13	A052K217	Rivet, Pop	A/R
14	A049H454	Gasket, Door	A/R
15	A043J739	Cap, Fill	A/R
16	A044L228	Washer, Lock	A/R
17	A048M651	Insulation, Panel	2
18	A047Z325	Insulation, Panel	2
19	A048M385	Insulation, Panel	2
20	A047Z323	Insulation, Panel	2

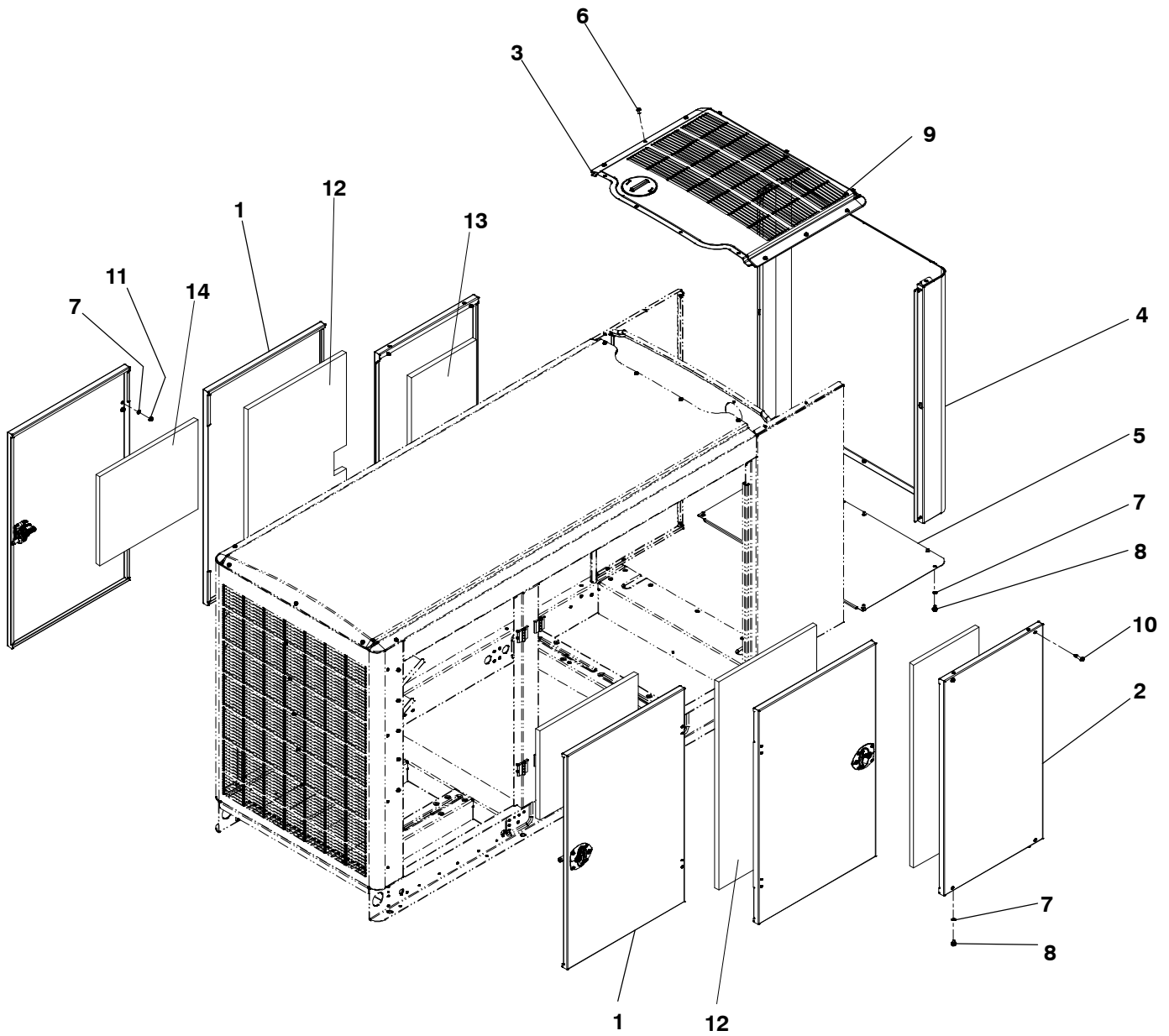
Enclosure - Sandstone (F217) (Illustration #2)



Enclosure – Sandstone (F217) (Illustration #2)

Item	Part No.	Description	Qty
1	A061C879	Cover, Air Inlet	1
2	A052K260	Post, Enclosure	2
3	A052K447	Roof, Enclosure	1
4	A052K463	Panel, Enclosure	1
5	A052K467	Panel, Enclosure	1
6	A052K469	Panel, Bulkhead	1
7	A048M825	Louver, Enclosure	1
8	A048M837	Louver, Enclosure	1
9	A048M830	Louver, Enclosure	1
10	A048M843	Louver, Enclosure	1
11	A048M847	Louver, Enclosure	1
12	A046T081	Screw, Shoulder	2
13	A050P483	Screw, Hex Flange Head	28
14	0853–2008	Washer, Lock	16
15	0821–6003–01	Screw, Hex Head	12
16	0870–2065–03	Nut, Hex Flange	4
17	A045Z943	Screw, Hex Flange Head	3
18	A049H454	Gasket, Door	4
19	A048C271	Hinge, Door	4
20	0853–2008	Wassher, Lock – W/ET	8
21	0870–2065–03	Nut, Hex Flange	8
22	A048V153	Seal, Edge	A/R
23	0895–0381	Seal, Weather	A/R
24	A049H572	Seal, Edge	A/R
25	0508–0330	Seal, Edge	A/R
26	A050R766	Seal, Edge	A/R
27	A049H452	Gasket, Door (Not Shown)	A/R
28	A052L440	Lead	1
29	A048M651	Insulation, Panel	2
30	A047Z339	Insulation, Panel	1
31	A048K751	Insulation, Panel	1

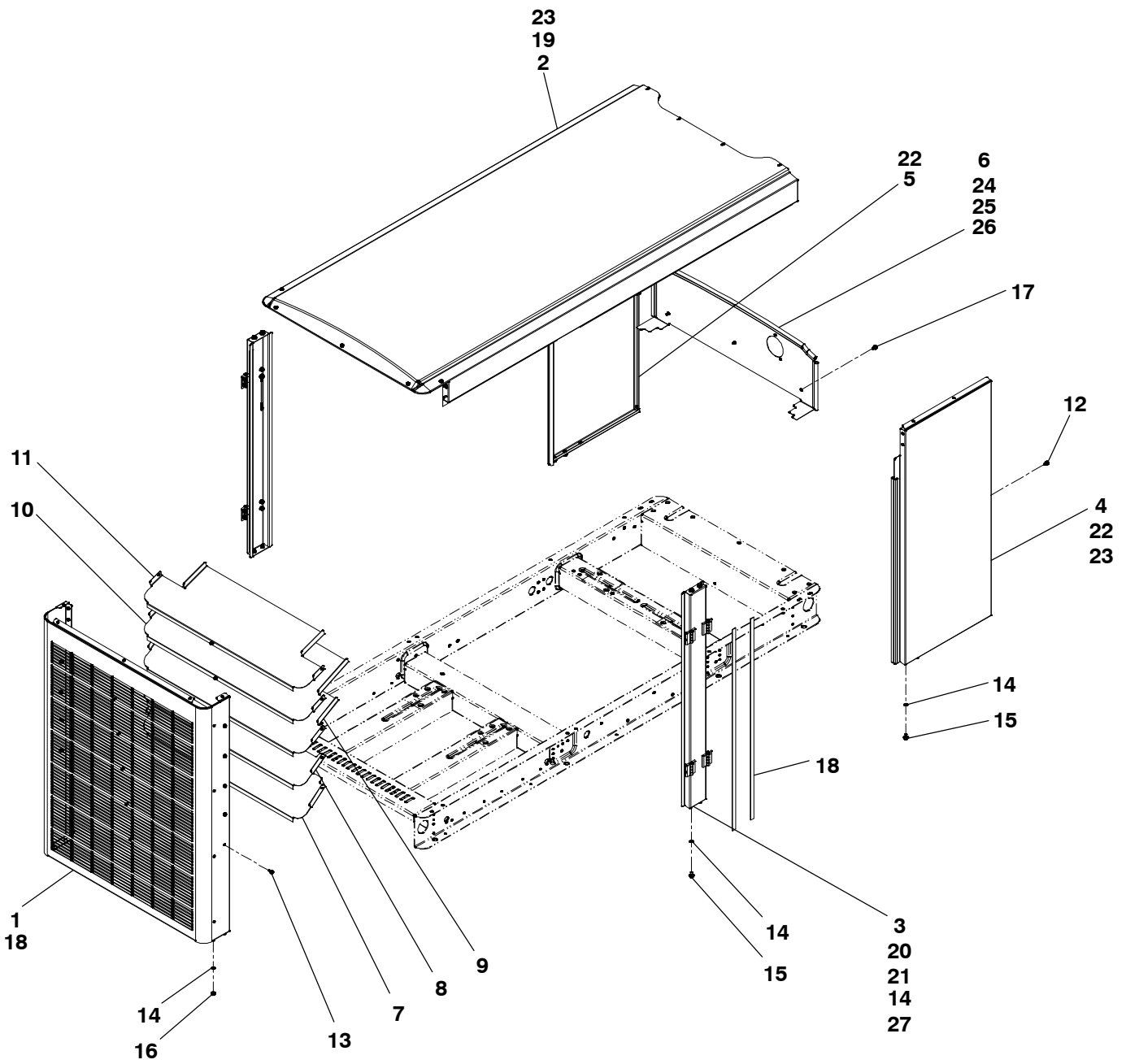
Enclosure - Sandstone (F231) (Illustration #1)



Enclosure – Sandstone (F231) (Illustration #1)

Item	Part No.	Description	Qty
1	A052K217	Panel, Enclosure	4
2	A052K276	Panel, Enclosure	2
3	A052K450	Roof, Enclosure	1
4	A048M458	Cover, Air Outlet	1
5	A060D569	Panel, Enclosure	1
6	A050P483	Screw, Hex Flange Head	17
7	0853–2008	Washer, Lock	27
8	0821–6003–01	Screw, Hex Head	11
9	0332–1794	Tie, Cable	1
10	A050P481	Screw, Hex Flange Head	4
11	0870–2065–03	Nut, Hex Flange	16
12	A047Z325	Insulation, Panel	2
13	A048M385	Insulation, Panel	2
14	A047Z323	Insulation, Panel	2

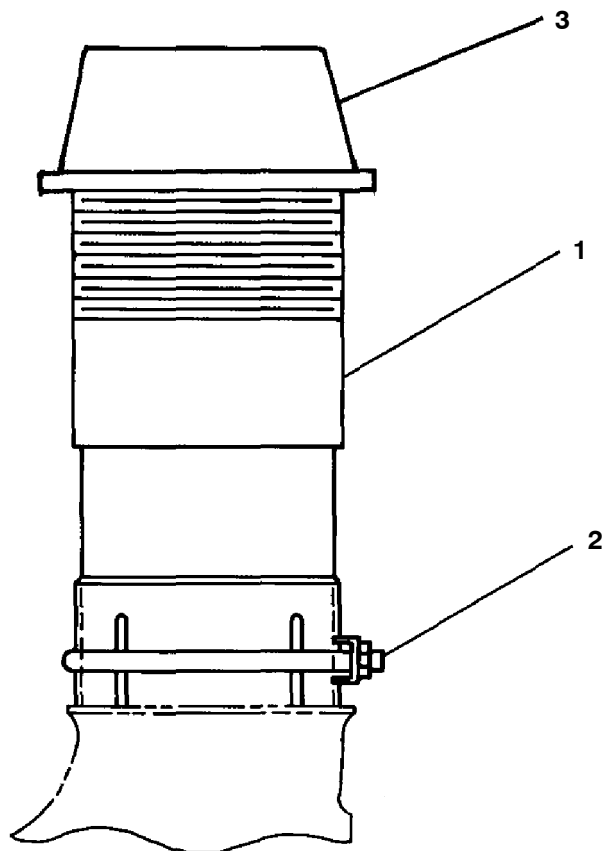
Enclosure - Sandstone (F231) (Illustration #2)



Enclosure – Sandstone (F231) (Illustration #2)

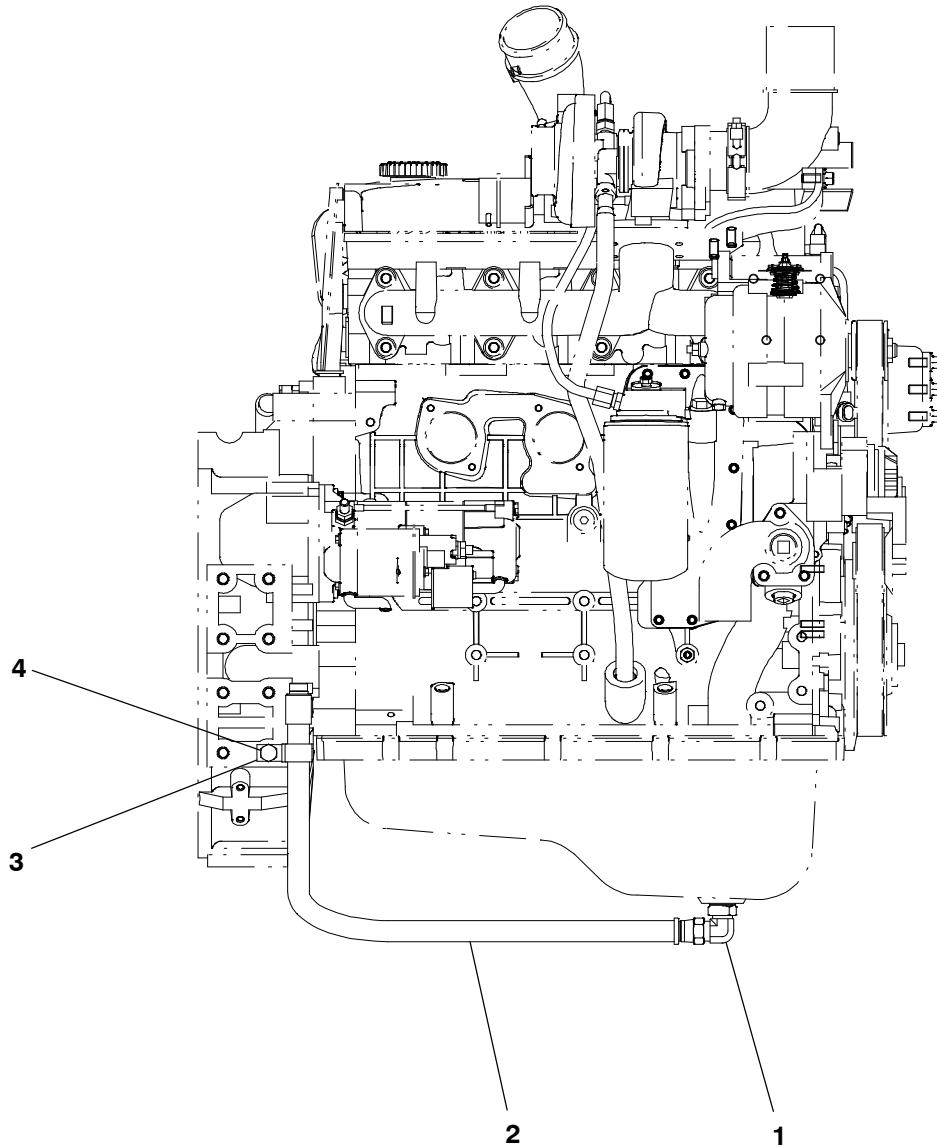
Item	Part No.	Description	Qty
1	A061C879	Cover, Air Inlet	1
2	A052K447	Roof, Enclosure	1
3	A052K260	Post, Enclosure	2
4	A052K463	Panel, Enclosure	1
5	A052K467	Panel, Enclosure	1
6	A052K469	Panel, Bulkhead	1
7	A048M825	Louver, Enclosure	1
8	A048M837	Louver, Enclosure	1
9	A048M830	Louver, Enclosure	1
10	A048M843	Louver, Enclosure	1
11	A048M847	Louver, Enclosure	1
12	A046T081	Screw, Shoulder	2
13	A050P483	Screw, Hex Flange Head	28
14	0853–2008	Washer, Lock	16
15	0821–6003–01	Screw, Hex Head	12
16	0870–2065–03	Nut, Hex Flange	4
17	A045Z943	Screw, Hex Flange Head	3
18	A049H454	Gasket, Door	4
19	A049H452	Gasket, Door	4
20	A048C271	Hinge, Door	4
21	0870–2065–03	Nut, Hex Flange	8
22	A048V153	Seal, Edge	A/R
23	0895–0381	Seal, Weather	A/R
24	A049H572	Seal, Edge	A/R
25	0508–0330	Seal, Edge	A/R
26	A050R766	Seal, Edge	A/R
27	A052L440	Lead	1

Exhaust Adapter



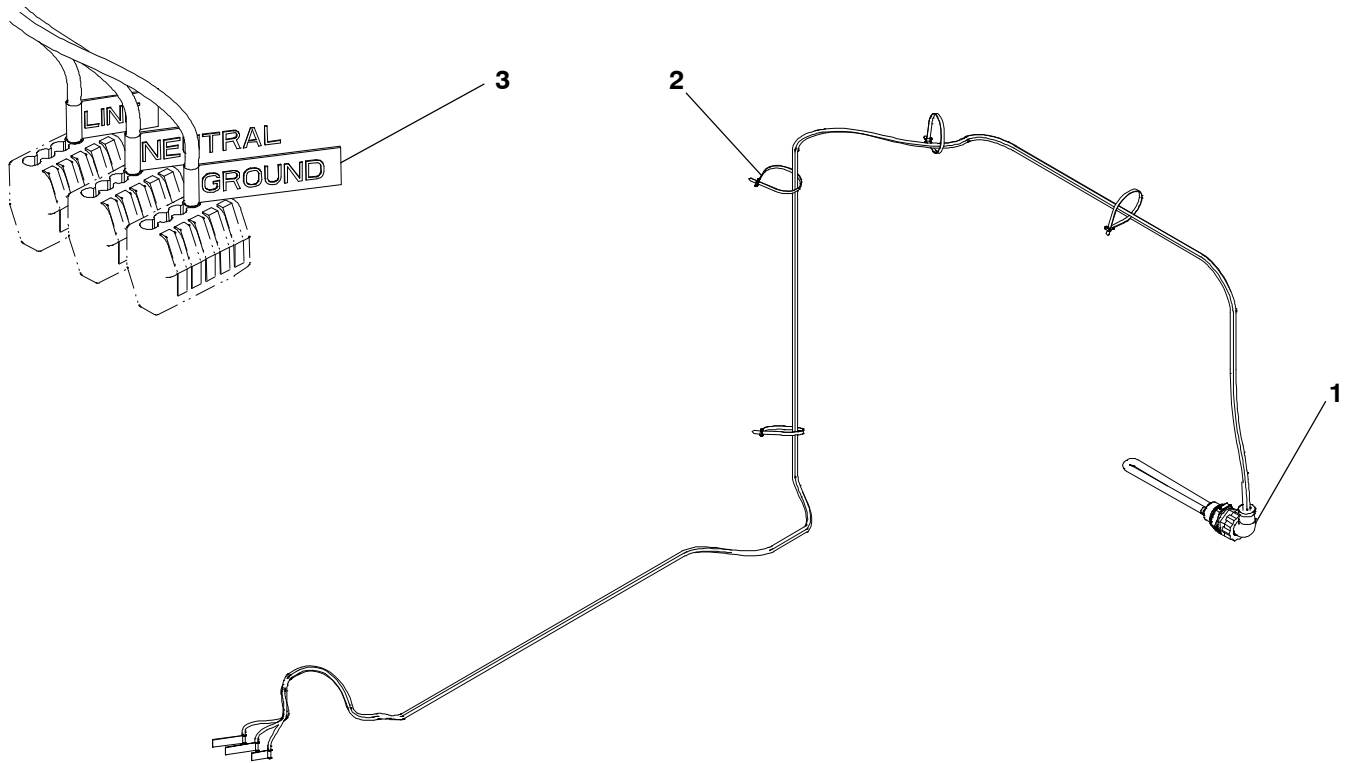
Item	Part No.	Description	Qty
1	0155-2253	Adapter, Exhaust	1
2	0155-2175	Clamp, Muffler	1
3	0517-0286-02	Capplug, Exhaust	1

Oil Drain



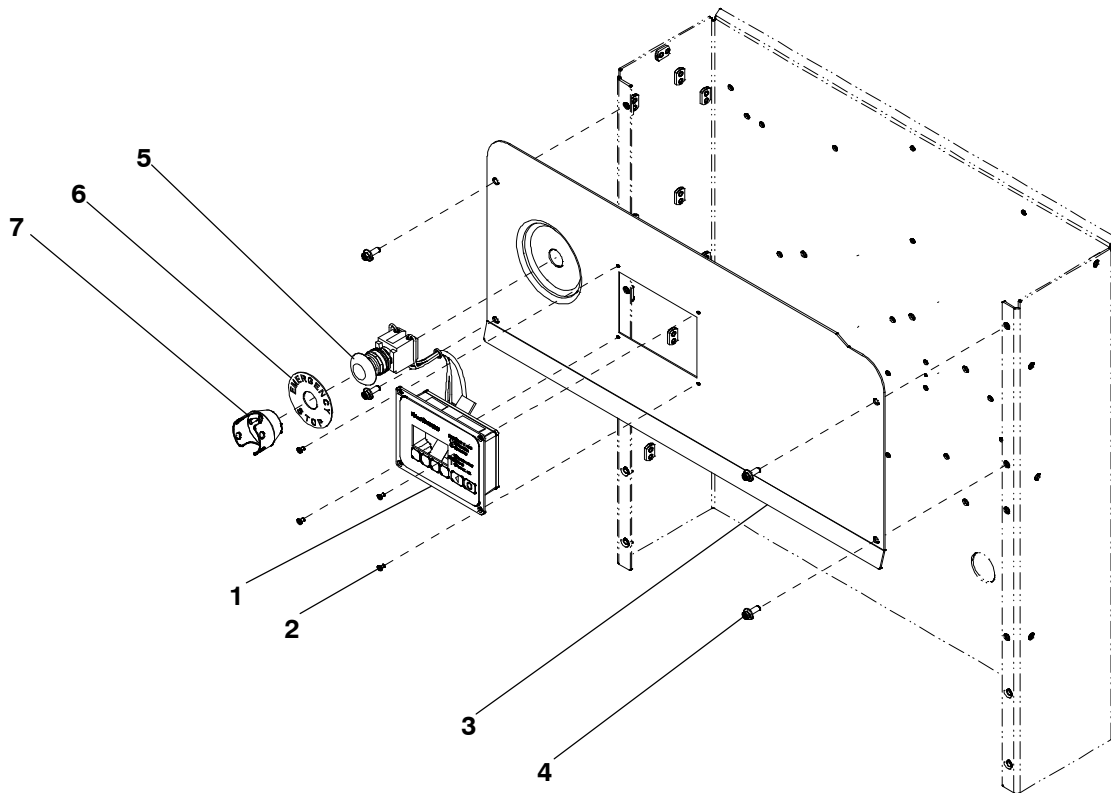
Item	Part No.	Description	Qty
1	A047K009	Adapter, Oil Drain	1
2	A050Y446	Hose, Oil	1
3	0518-0703	Clamp	1
4	0800-2111	Screw, Hex Head	1

Oil Heater



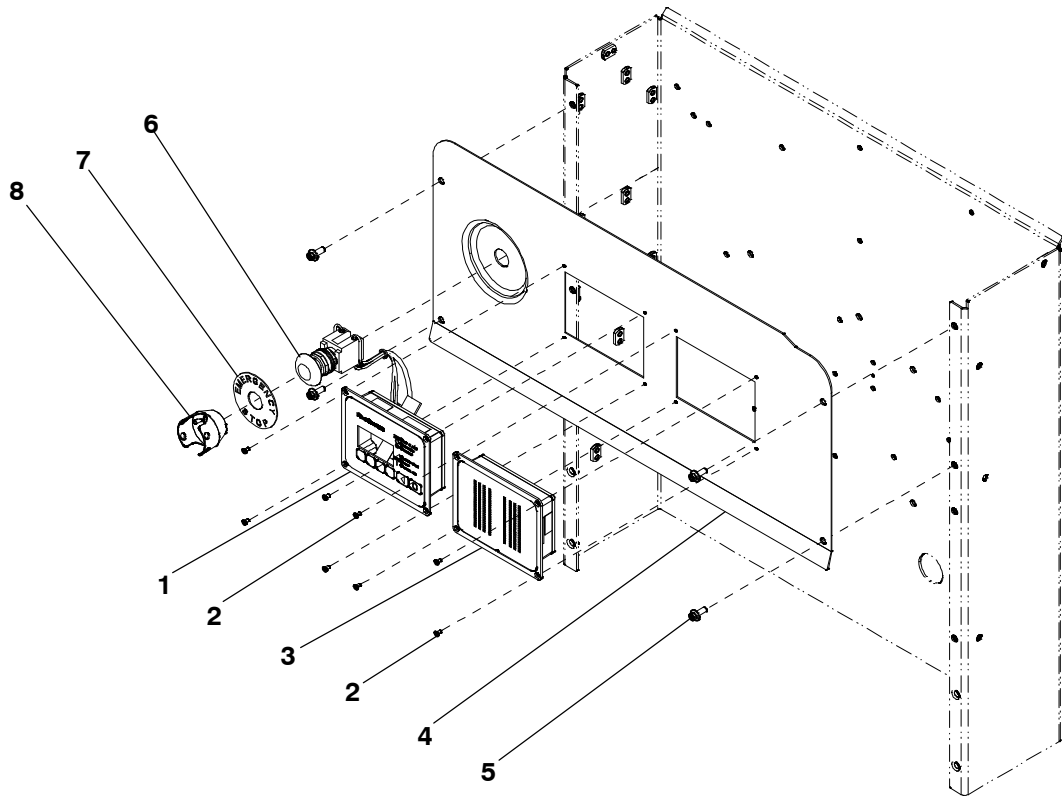
Item	Part No.	Description	Qty
1	A051F338	Heater, Engine	1
2	0332-1794	Tie, Cable	4
3	A046G477	Label, Marking	1

Control Display Panel – PC1.1 (HMI 211 and E-Stop)



Item	Part No.	Description	Qty
1	0300-6314	Control, Generator Set	1
2	0814-2155-01	Screw, Flat Head	4
3	A050U501	Panel, Display	1
4	0815-0857-02	Screw, Hex Head	4
5	A043E232	Harness, Generator Electrical	1
6	0308-1177	Bezel, Switch	1
7	0319-6766	Guard, Electrical	1

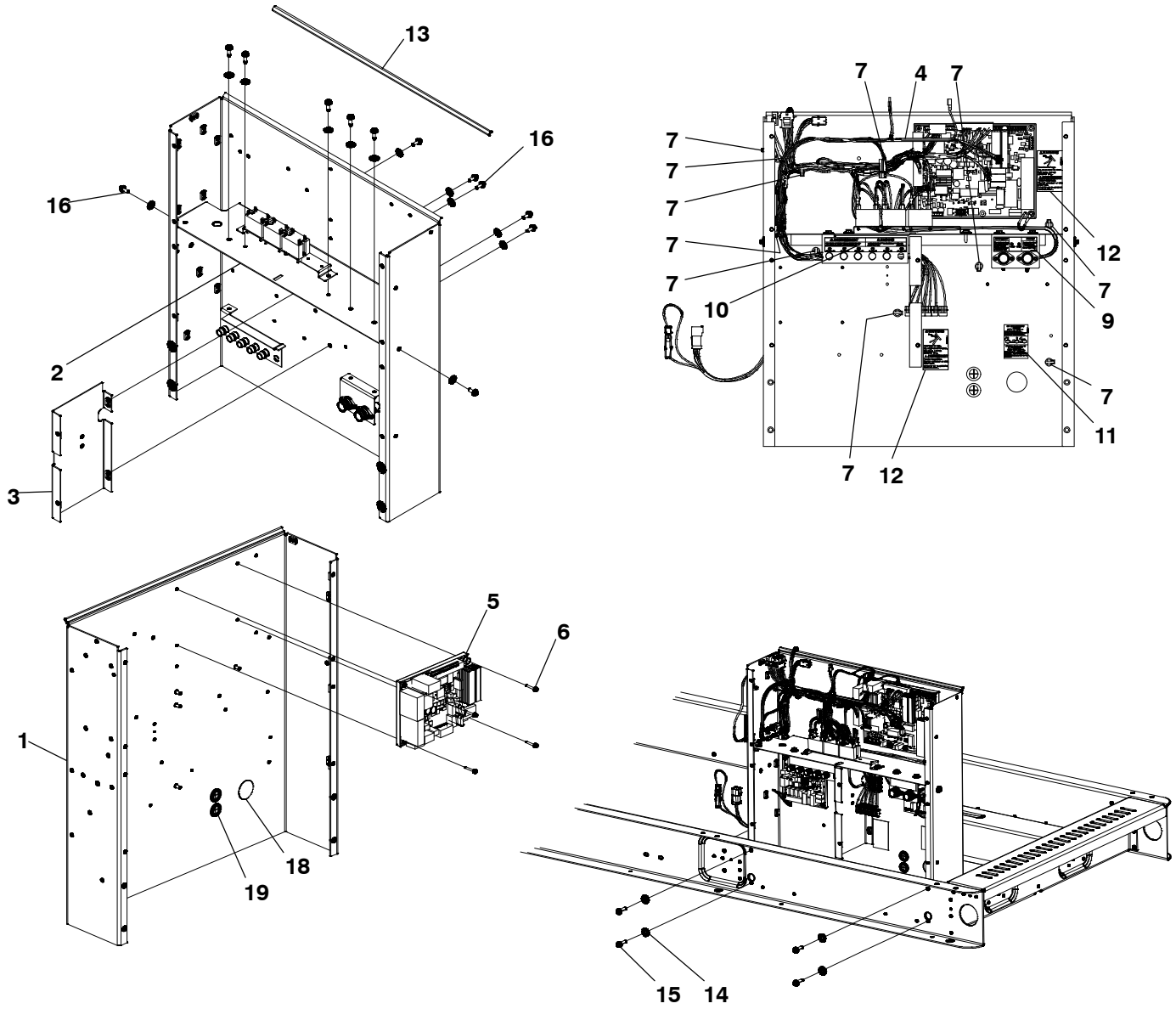
Display Panel – PC1.1 (HMI 211, Bargraph and E-Stop)



Item	Part No.	Description	Qty
1	0300-6314	Control, Generator Set	1
2	0814-2155-01	Screw, Flat Head	8
3	0300-6050-02	Display, Control	1
4	A050U499	Panel, Display	1
5	0815-0857-02	Screw, Hex Head	4
6	A043E232	Harness, Generator Electrical	1
7	0308-1177	Bezel, Switch	1
8	0319-6766	Guard, Electrical	1

This page is Intentionally blank.

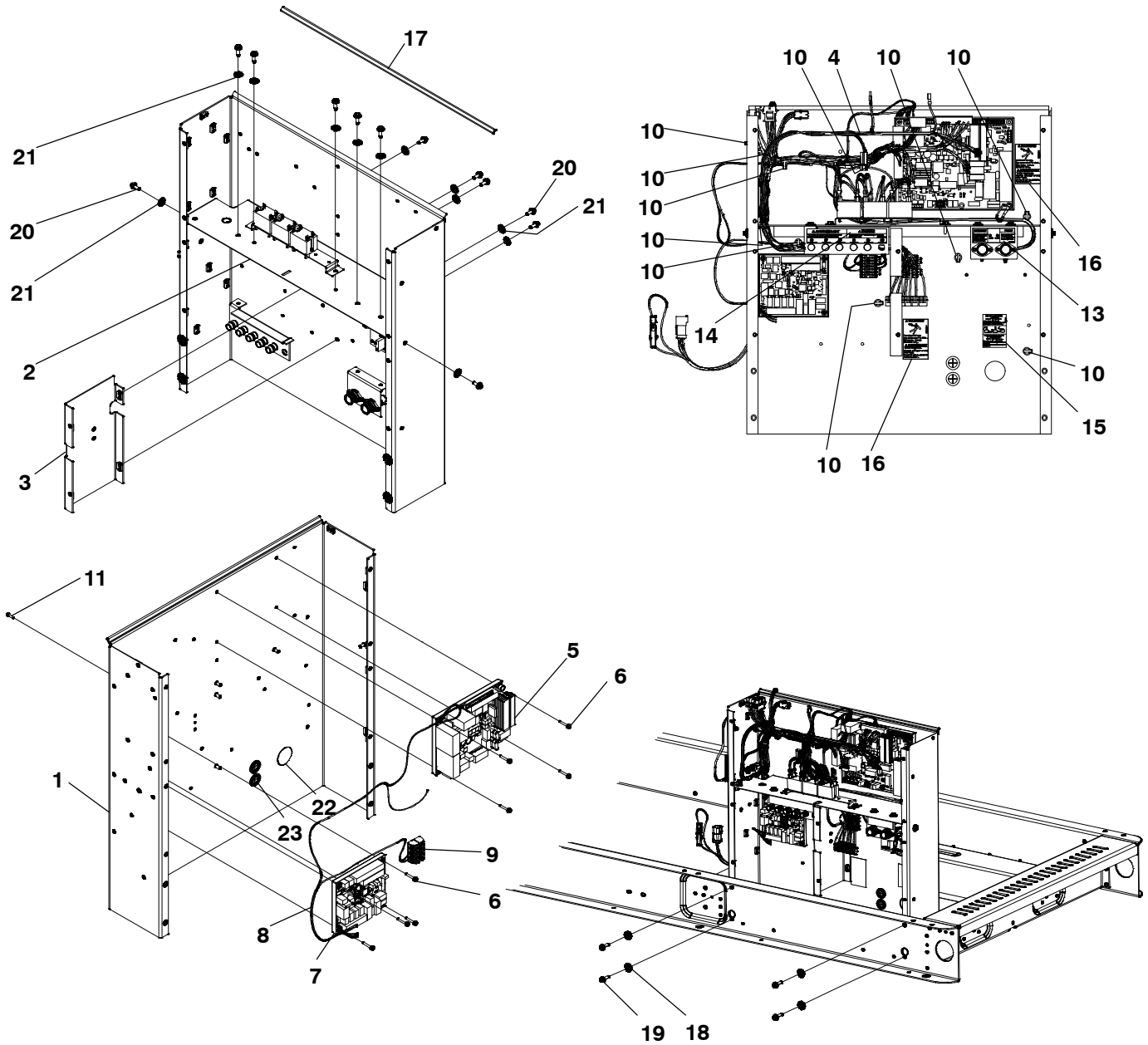
Control Box PC1.1 (No Auxiliary Relay or Signals)



Control Box – PC1.1 (No Auxiliary Relay or Signals)

Item	Part No.	Description	Qty
1	A053H623	Box, Control	1
2	A047W290	Panel, Control	1
3	A047G956	Panel, Control Box	1
4	A053R492	Harness, Control	1
5	A043W505	Card, Control	1
6	0819-1165-09	Screw, Pan Head	4
7	A044D694	Tie, Cable	11
8	A050J260	Label, Marking	1
9	A050J258	Label, Marking	1
10	A048H191	Label, Information	1
11	A048G965	Label, Warning	1
12	A050Y809	Edging	2
13	0856-0010	Washer, Lock	1
14	0815-0857-02	Screw, Hex Head	4
15	0815-0781	Screw, Hollow Head	4
16	0800-6399	Screw, Hex Head	7
17	0856-0006	Washer, Lock	12
18	0517-0138-06	Plug, Hole	1
19	0508-1122	Grommet	2

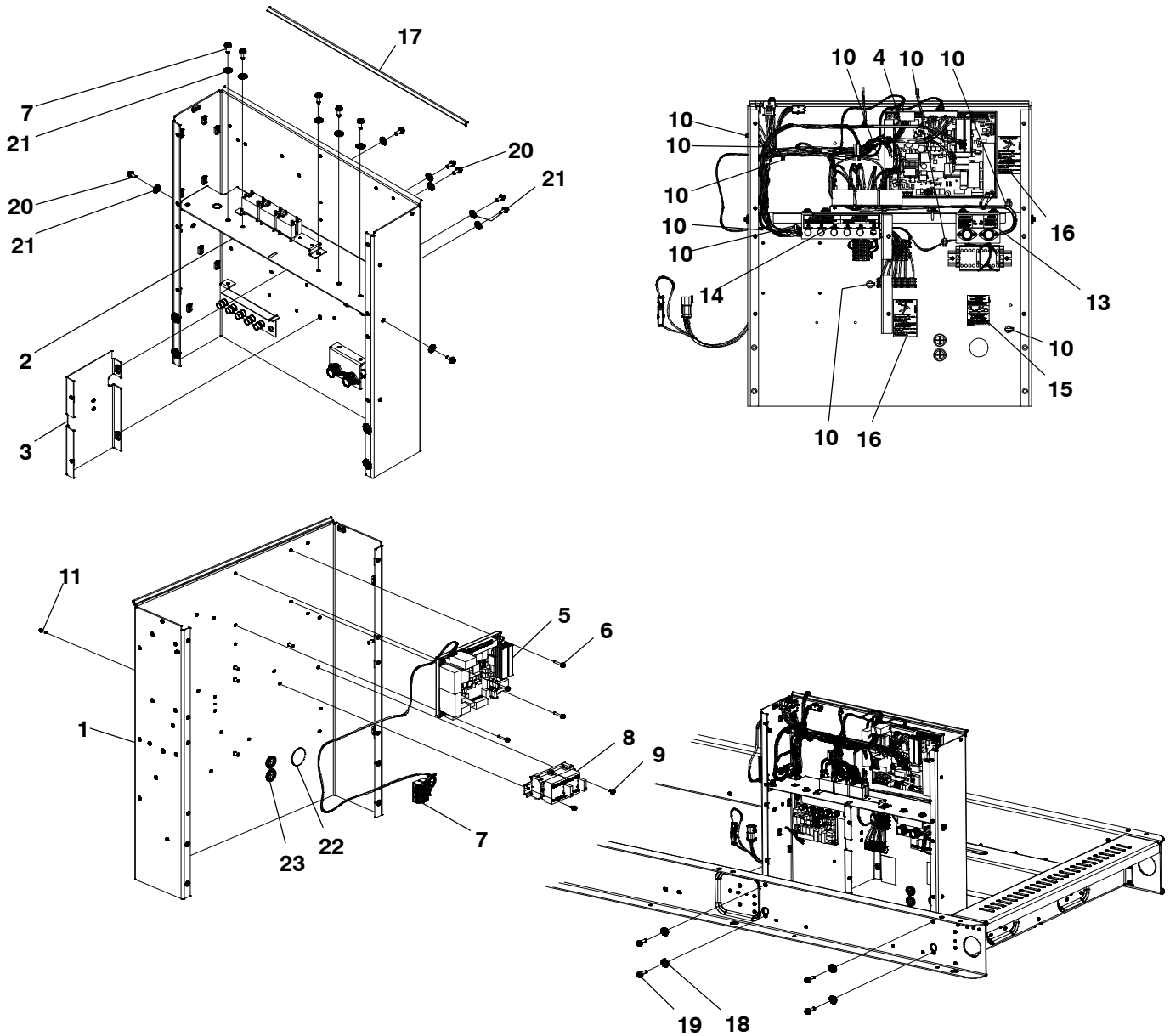
Control Box - PC1.1 (With Auxiliary Signal Control)



Control Box – PC1.1 (With Auxiliary Signal Control)

Item	Part No.	Description	Qty
1	A053H623	Box, Control	1
2	A047W290	Panel, Control	1
3	A047G956	Panel, Control Box	1
4	A053R492	Harness, Control	1
5	A043W505	Card, Control	1
6	0819-1165-09	Screw, Pan Head	8
7	0327-1536	Card, Control	1
8	A043A230	Harness, Circuit Card	1
9	A043B108	Harness, Generator Electrical	1
10	A044D694	Tie, Cable	11
11	A044E872	Screw, Pan Head	1
12	A050J260	Label, Marking	1
13	A050J258	Label, Marking	1
14	A048H191	Label, Information	1
15	A048G965	Label, Warning	1
16	A050Y809	Edging	2
17	0856-0010	Washer, Lock	1
18	0815-0857-02	Screw, Hex Head	4
19	0815-0781	Screw, Hollow Head	4
20	0800-6399	Screw, Hex Head	7
21	0856-0006	Washer, Lock	12
22	0517-0138-06	Plug, Hole	1
23	0508-1122	Grommet	2

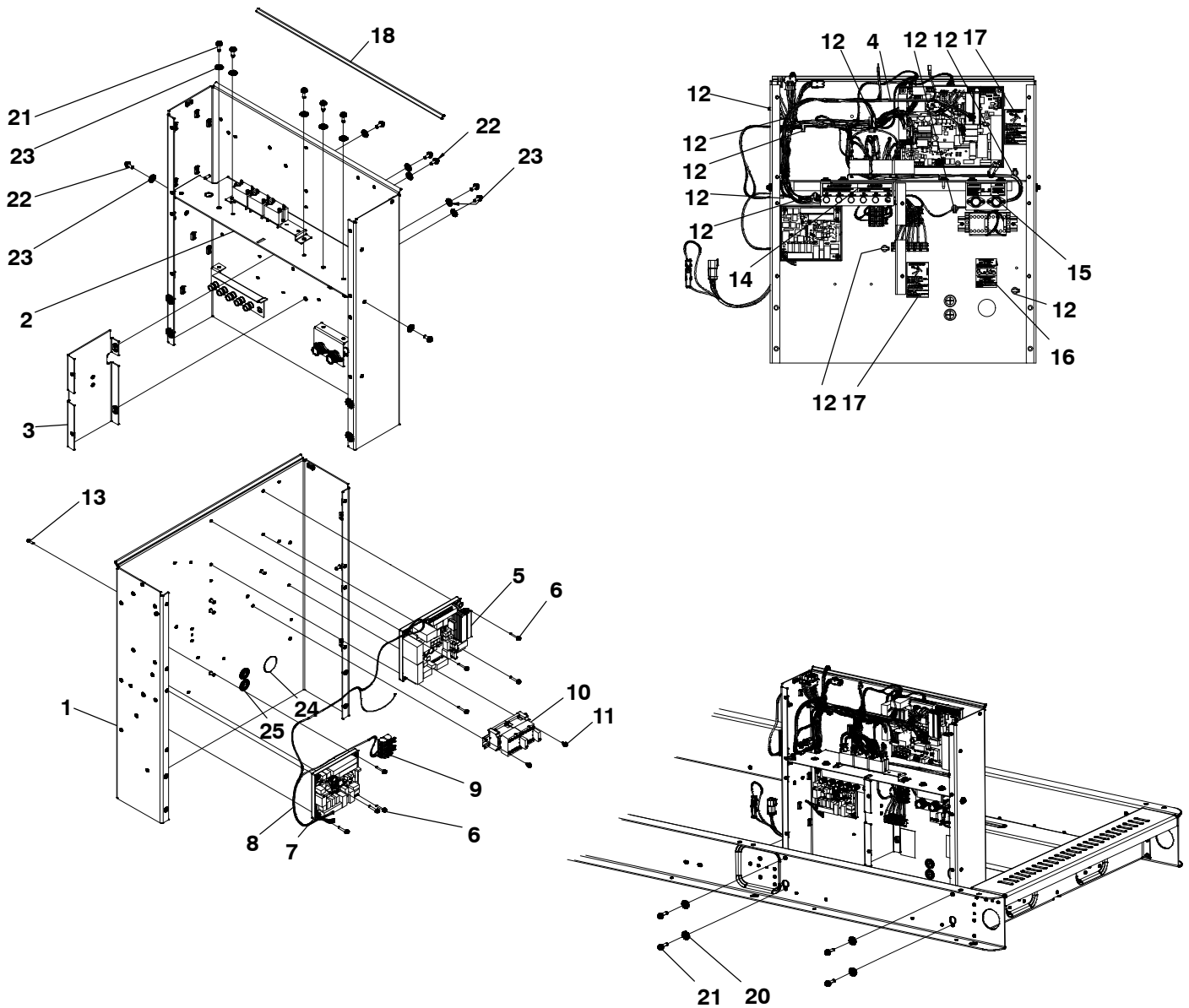
Control Box - PC1.1 (With Auxiliary Relay)



Control Box – PC1.1 (With Auxiliary Relay)

Item	Part No.	Description	Qty
1	A053H623	Box, Control	1
2	A047W290	Panel, Control	1
3	A047G956	Panel, Control Box	1
4	A053R492	Harness, Control	1
5	A043W505	Card, Control	1
6	0819-1165-09	Screw, Pan Head	4
7	A043B108	Harness, Generator Electrical	1
8	A042Z041	Harness, Relay (Includes Parts Marked *)	1
9	0819-1165-02	Screw, Pan Head	2
10	A044D694	Tie, Cable	11
11	A043E872	Screw, Pan Head	1
12	A050J260	Label, Marking	1
13	A050J258	Label, Marking	1
14	A048H191	Label, Information	1
15	A048G965	Label, Warning	1
16	A050Y809	Edging	2
17	0856-0010	Washer, Lock	1
18	0815-0857-02	Screw, Hex Head	4
19	0815-0781	Screw, Hollow Head	4
20	0800-6399	Screw, Hex Head	7
21	0856-0006	Washer, Lock	12
22	0517-0138-06	Plug, Hole	1
23	0508-1122	Grommet	2
24	0307-2873	* Relay, Control	2
25	0332-3388	* Tie, Cable	8
26	0332-2879-02	* Rail, Terminal	1
27	0332-4320	* Block, Terminal	2
28	0332-3491-01	* Terminal, Pin	9
29	0305-1009	* Suppressor, Voltage	2

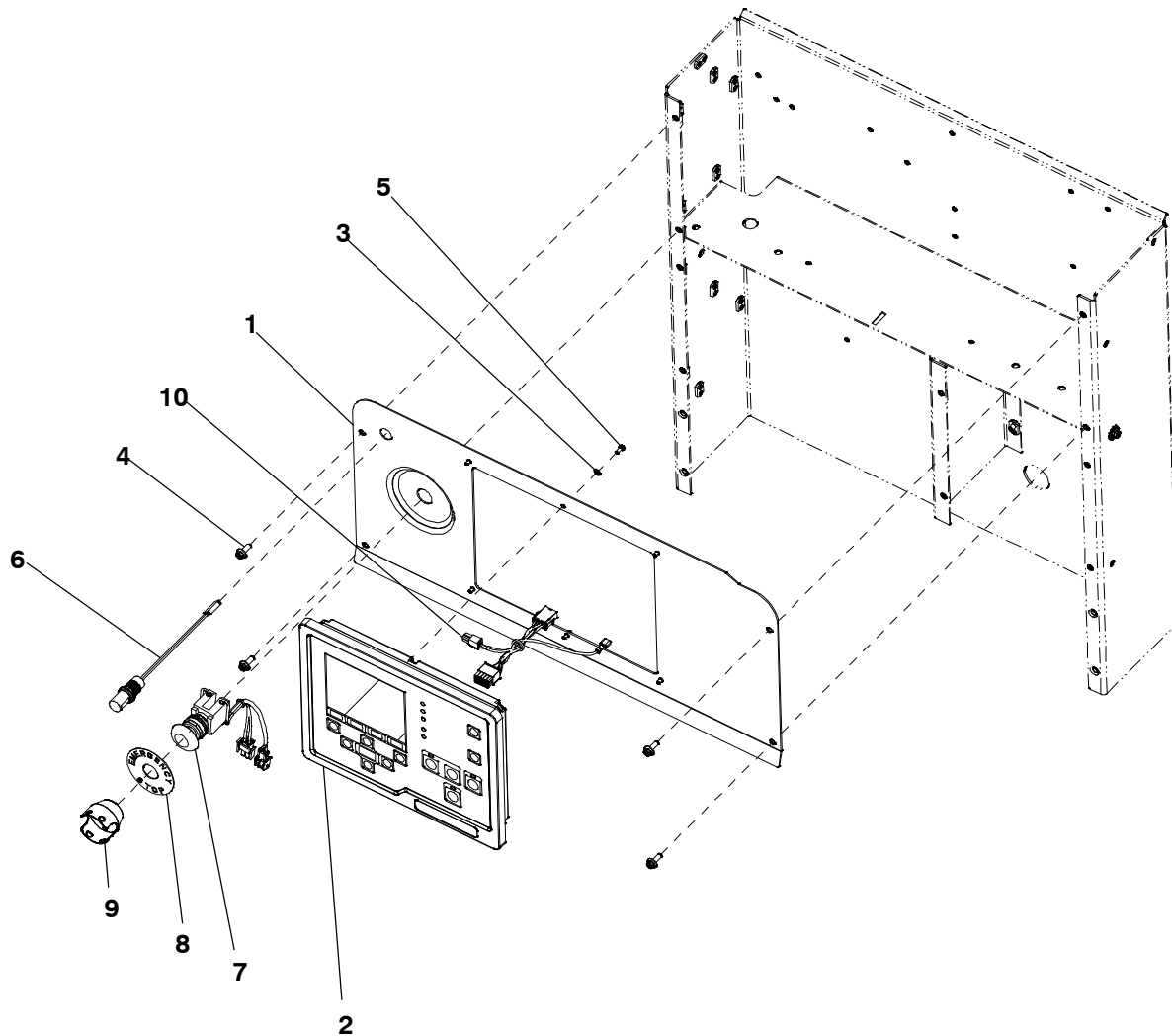
Control Box - PC1.1 (With Auxiliary Signal Control and Auxiliary Relay)



Control Box – PC1.1 (With Auxiliary Signal Control and Auxiliary Relay)

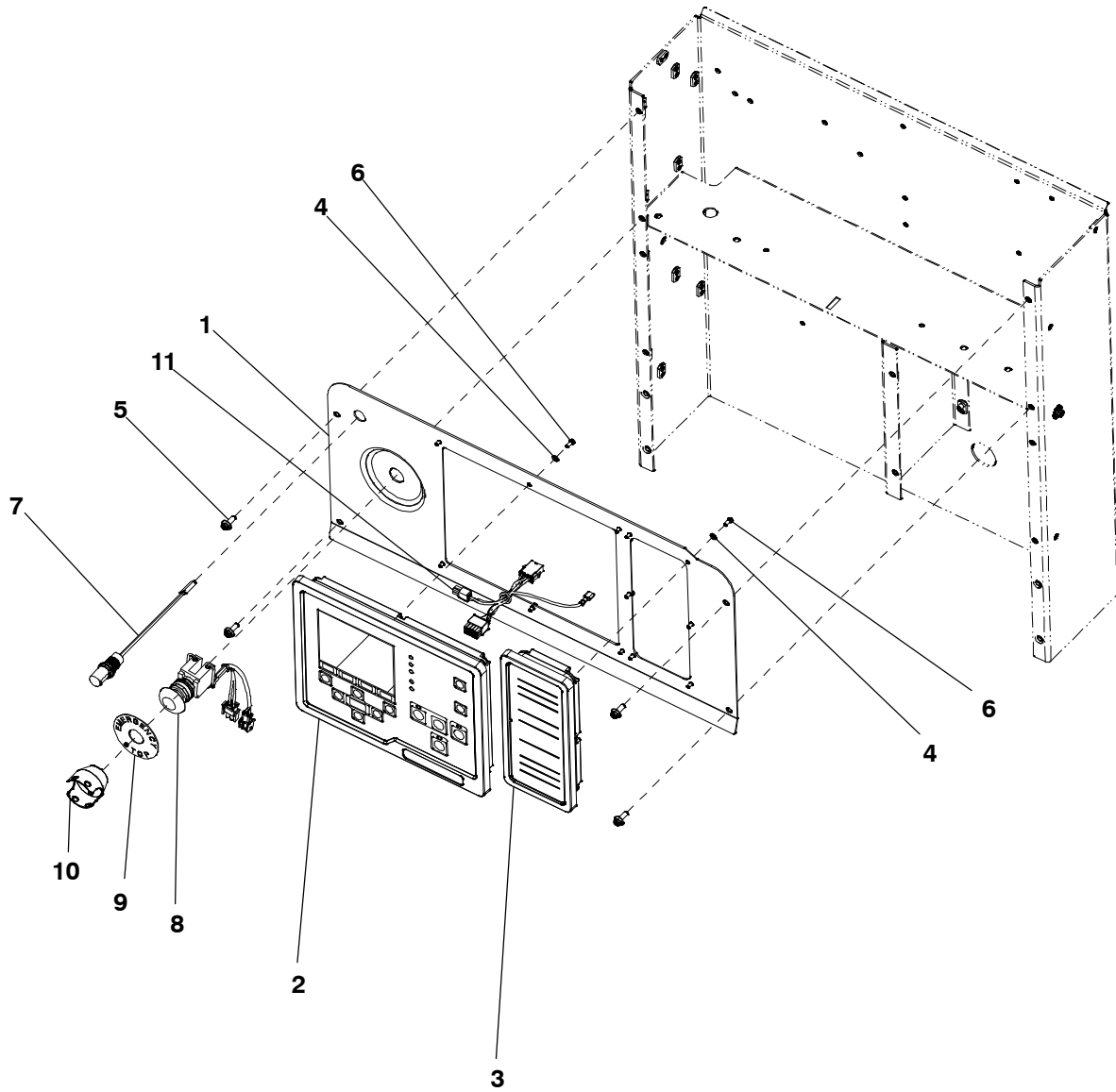
Item	Part No.	Description	Qty
1	A053H623	Box, Control	1
2	A047W290	Panel, Control	1
3	A047G956	Panel, Control Box	1
4	A053R492	Harness, Control	1
5	A043W505	Card, Control	1
6	0819-1165-09	Screw, Pan Head	8
7	0327-1536	Card, Control	1
8	A043A230	Harness, Circuit Card	1
9	A043B108	Harness, Generator Electrical	1
10	A042Z041	Harness, Relay (Includes Parts Marked *)	1
11	0819-1165-02	Screw, Pan Head	2
12	A044D694	Tie, Cable	11
13	A043E872	Screw, Pan Head	1
14	A050J260	Label, Marking	1
15	A050J258	Label, Marking	1
16	A048H191	Label, Information	1
17	A048G965	Label, Warning	1
18	A050Y809	Edging	2
19	0856-0010	Washer, Lock	1
20	0815-0857-02	Screw, Hex Head	4
21	0815-0781	Screw, Hollow Head	4
22	0800-6399	Screw, Hex Head	7
23	0856-0006	Washer, Lock	12
24	0517-0138-06	Plug, Hole	1
25	0508-1122	Grommet	2
26	0307-2873	* Relay, Control	2
27	0332-3388	* Tie, Cable	8
28	0332-2879-02	* Rail, Terminal	1
29	0332-4320	* Block, Terminal	2
30	0332-3491-01	* Terminal, Pin	9
31	0305-1009	* Suppressor, Voltage	2

Display Panel – PC2.3 (HMI 320 and E-Stop)



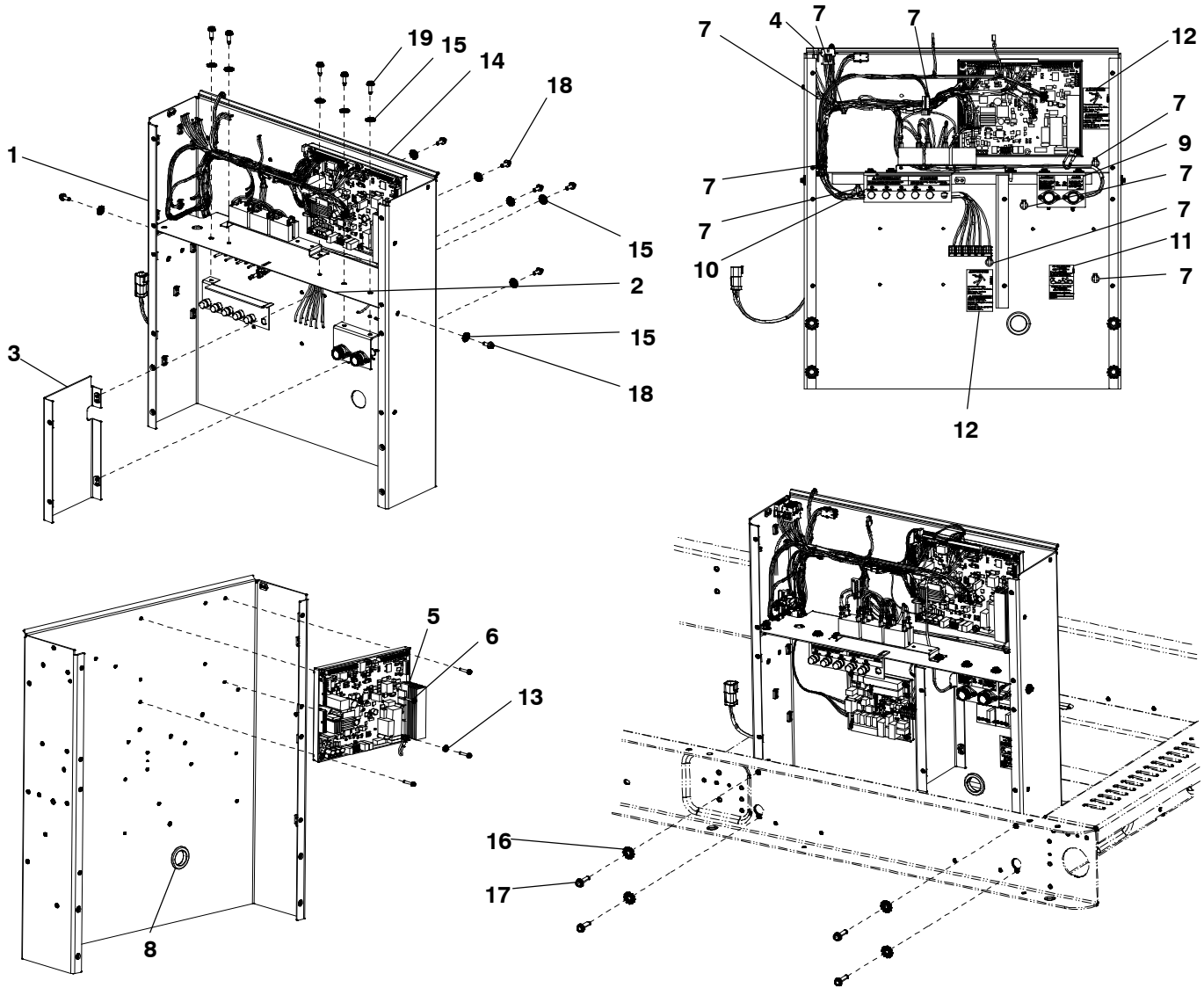
Item	Part No.	Description	Qty
1	A053J304	Panel, Display	1
2	0300-6315-01	Display, Control	1
3	0526-0399-54	Washer, Flat	6
4	0815-0857-02	Screw, Hex Head	4
5	0815-0792-03	Screw, HexHead	6
6	A048T764	Harness	1
7	A043E232	Harness, Generator Electrical	1
8	0308-1177	Bezel, Switch	1
9	0319-6766	Guard, Electrical	1
10	A049C489	Harness, Extension	1

Display Panel – PC2.3 (HMI 320, Bargraph and E-Stop)



Item	Part No.	Description	Qty
1	A053J306	Panel, Display	1
2	0300-6315-01	Display, Control	1
3	0300-6366-02	Display, Control	1
4	0526-0399-54	Washer, Flat	12
5	0815-0857-02	Screw, Hex Head	4
6	0815-0792-03	Screw, Hex Head	12
7	A048T764	Harness	1
8	A043E232	Harness, Generator Electrical	1
9	0308-1177	Bezel, Switch	1
10	0319-6766	Guard, Electrical	1
11	A049C489	Harness, Extension	1

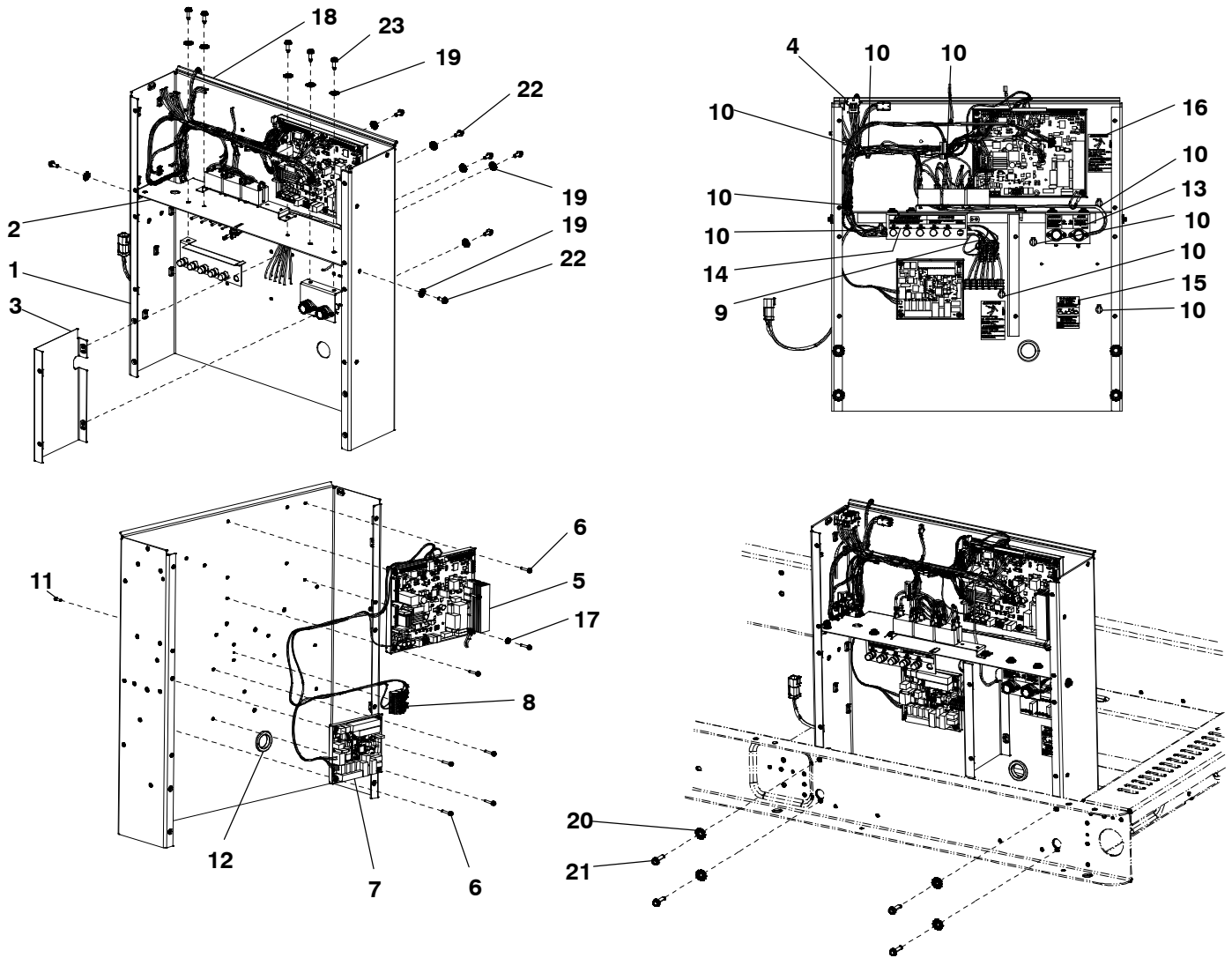
Control Box – PC2.3 (No Auxiliary Relay or Signals)



Control Box – PC2.3 (No Auxiliary Relay or Signals)

Item	Part No.	Description	Qty
1	A053H623	Box, Control	1
2	A047W290	Panel, Control	1
3	A047G956	Panel, Control Box	1
4	A053R492	Harness, Control	1
5	A053T067	Card, Control	1
6	0819-1165-09	Screw, Pan Head	4
7	A044D694	Tie, Cable	11
8	A049H744	Grommet	1
9	A050J260	Label, Marking	1
10	A054D953	Label, Marking	2
11	A048H191	Label, Information	1
12	A048G965	Label, Warning	2
13	0853-2006	Washer, Lock	1
14	A050Y809	Edging	1
15	0856-0006	Washer, Lock	12
16	0856-0010	Washer, Lock	4
17	0815-0781	Screw, Hollow Head	4
18	0815-0857-02	Screw, Hex Head	7
19	0800-6399	Screw, Hex Head	5

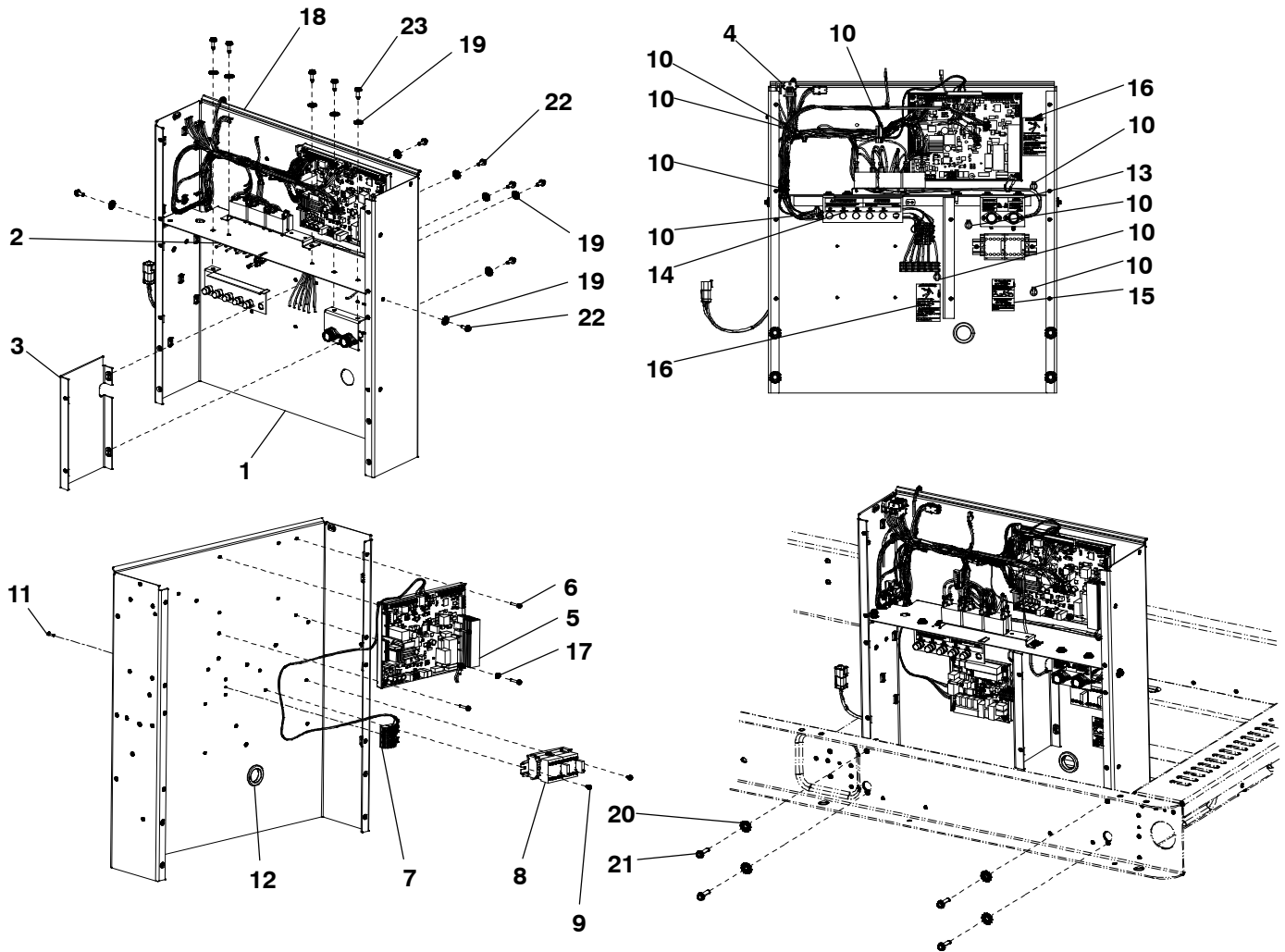
Control Box - PC2.3 (With Auxiliary Signal Control)



Control Box – PC2.3 (With Auxiliary Signal Control)

Item	Part No.	Description	Qty
1	A053H623	Box, Control	1
2	A047W290	Panel, Control	1
3	A047G956	Panel, Control Box	1
4	A053R492	Harness, Control	1
5	A053T067	Card, Control	1
6	0819-1165-09	Screw, Pan Head	8
7	0327-1536	Card, Input Output	1
8	A043A230	Harness, Circuit Card	1
9	A043B108	Harness, Generator Electrical	1
10	A044D694	Tie, Cable	11
11	A043E872	Screw, Pan Head	1
12	A049H744	Grommet	1
13	A050J260	Label, Marking	1
14	A054D953	Label, Marking	1
15	A048H191	Label, Information	1
16	A048G965	Label, Warning	2
17	0853-2006	Washer, Lock	1
18	A050Y809	Edging	1
19	0856-0006	Washer, Lock	12
20	0856-0010	Washer, Lock	4
21	0815-0781	Screw, Hollow Head	4
22	0815-0857-02	Screw, Hex Head	7
23	0800-6399	Screw, Hex Head	5

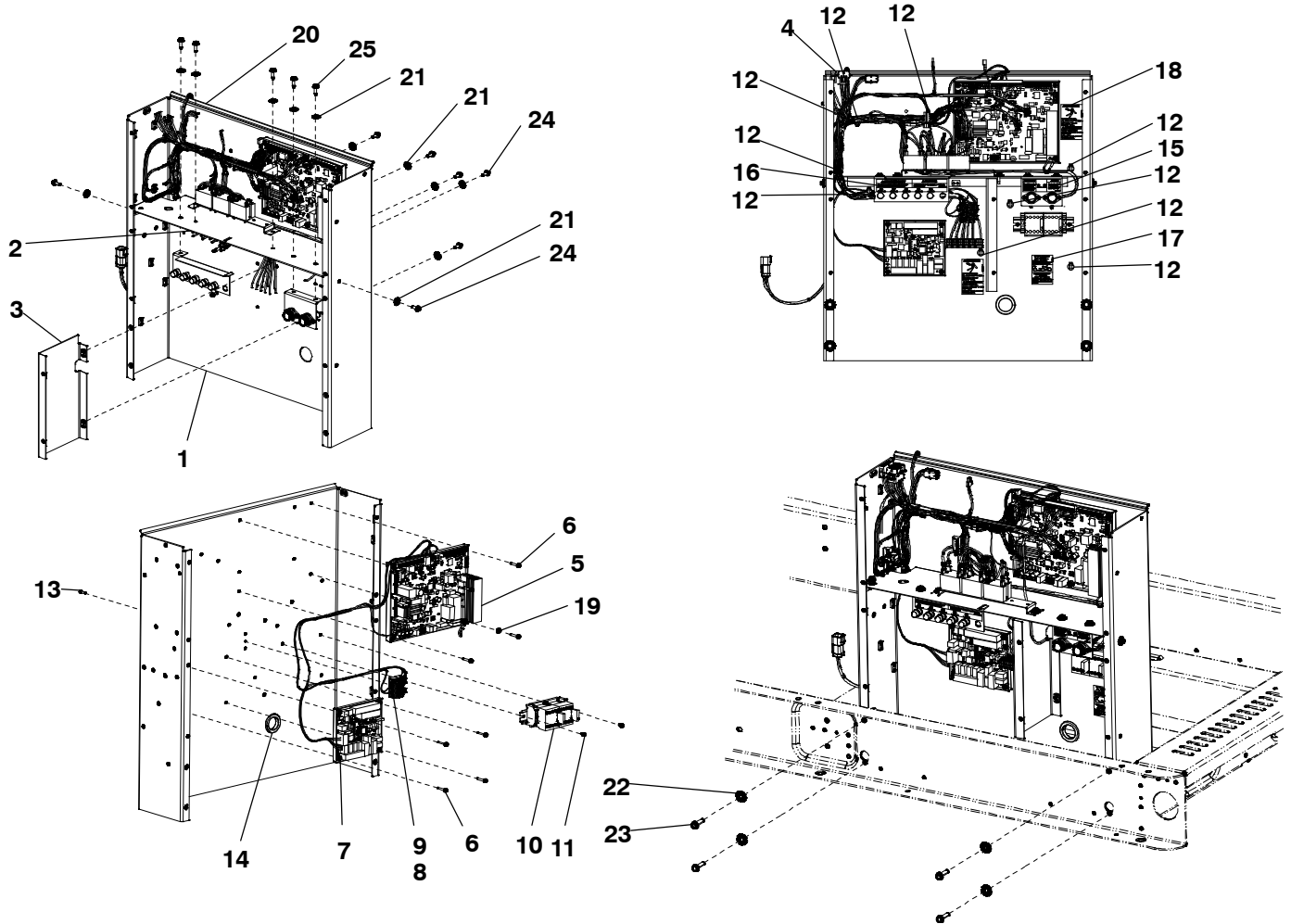
Control Box - PC2.3 (With Auxiliary Relay)



Control Box – PC2.3 (With Auxiliary Relay)

Item	Part No.	Description	Qty
1	A053H623	Box, Control	1
2	A047W290	Panel, Control	1
3	A047G956	Panel, Control Box	1
4	A053R492	Harness, Control	1
5	A053T067	Card, Control	1
6	0819-1165-09	Screw, Pan Head	4
7	A043B108	Harness, Generator Electrical	1
8	A042Z041	Harness, Relay (Includes Parts Marked *)	1
9	0819-1165-02	Screw, Pan Head	2
10	A044D694	Tie, Cable	11
11	A043E872	Screw, Pan Head	1
12	A049H744	Grommet	1
13	A050J260	Label, Marking	1
14	A054D953	Label, Marking	1
15	A048H191	Label, Information	1
16	A048G965	Label, Warning	2
17	0853-2006	Washer, Lock	1
18	A050Y809	Edging	1
19	0856-0006	Washer, Lock	12
20	0856-0010	Washer, Lock	4
21	0815-0781	Screw, Hollow Head	4
22	0815-0857-02	Screw, Hex Head	7
23	0800-6399	Screw, Hex Head	5
24	0307-2873	* Relay, Control	2
25	0332-3388	* Tie, Cable	8
26	0332-2879-02	* Rail, Terminal	1
27	0332-4320	* Block, Terminal	2
28	0332-3491-01	* Terminal, Pin	9
29	0305-1009	* Suppressor, Voltage	2

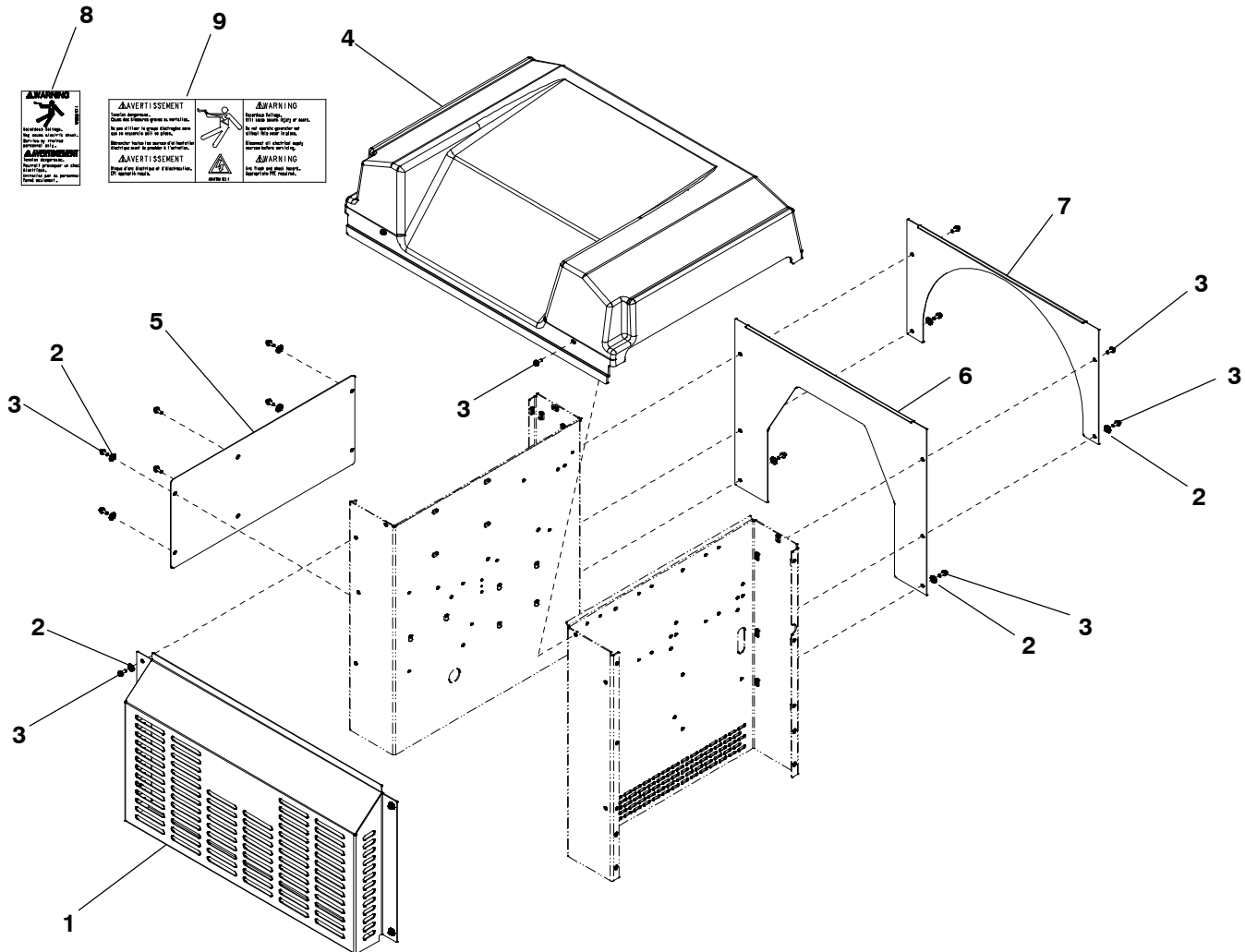
Control Box - PC2.3 (With Auxiliary Signal Control and Auxiliary Relay)



Control Box – PC2.3 (With Auxiliary Signal Control and Auxiliary Relay)

Item	Part No.	Description	Qty
1	A053H623	Box, Control	1
2	A047W290	Panel, Control	1
3	A047G956	Panel, Control Box	1
4	A053R492	Harness, Control	1
5	A053T067	Card, Control	1
6	0819-1165-09	Screw, Pan Head	8
7	0327-1536	Card, Input Output	1
8	A043A230	Harness, Circuit Card	1
9	A043B108	Harness, Generator Electrical	1
10	A042Z041	Harness, Relay (Includes Parts Marked *)	1
11	0819-1165-02	Screw, Pan Head	2
12	A044D694	Tie, Cable	11
13	A043E872	Screw, Pan Head	1
14	A049H744	Grommet	1
15	A050J260	Label, Marking	1
16	A054D953	Label, Marking	1
17	A048H191	Label, Information	1
18	A048G965	Label, Warning	2
19	0853-2006	Washer, Lock	1
20	A050Y809	Edging	1
21	0856-0006	Washer, Lock	12
22	0856-0010	Washer, Lock	4
23	0815-0781	Screw, Hollow Head	4
24	0815-0857-02	Screw, Hex Head	7
25	0800-6399	Screw, Hex Head	5
26	0307-2873	*Relay, Control	2
27	0332-3388	* Tie, Cable	8
28	0332-2879-02	* Rail, Terminal	1
29	0332-4320	* Block, Terminal	2
30	0332-3491-01	* Terminal, Pin	9
31	0305-1009	* Suppressor, Voltage	2

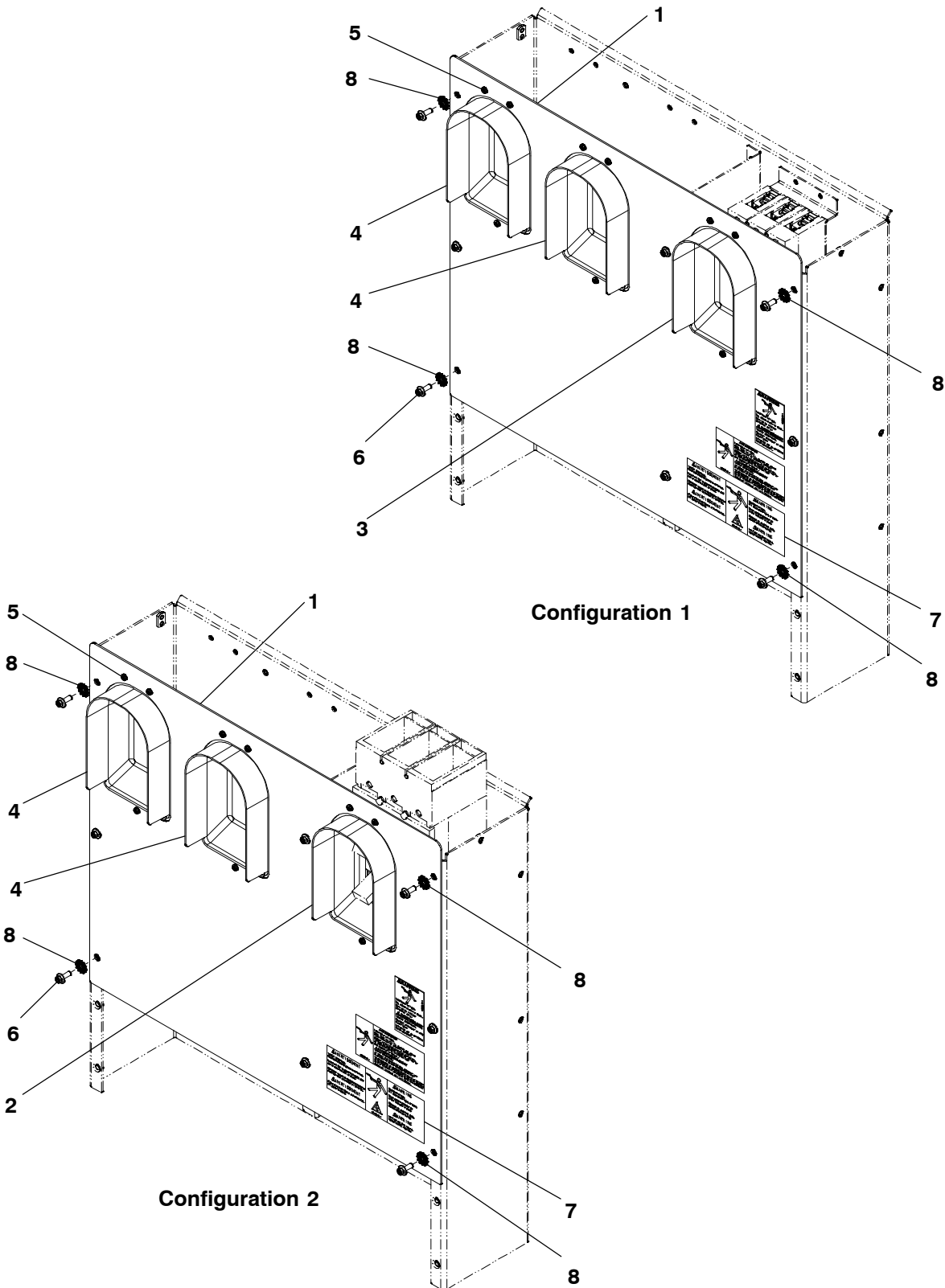
Connection Box



Item	Part No.	Description	Qty
1	A051C812	Guard, Alternator	1
2	0856-0006	Washer, Lock	A/R
3	0815-0857-02	Screw, Hex Head	A/R
4	A051C650	Cover, Terminal Enclosure	1
5	A048P759	Panel, Control Box	1
6	A051A292	Panel, Guard	1
7	A051A290	Panel, Guard	1
8	A048G965	Label, Warning	1
9	A044F254	Label, Warning	1

This page is Intentionally blank.

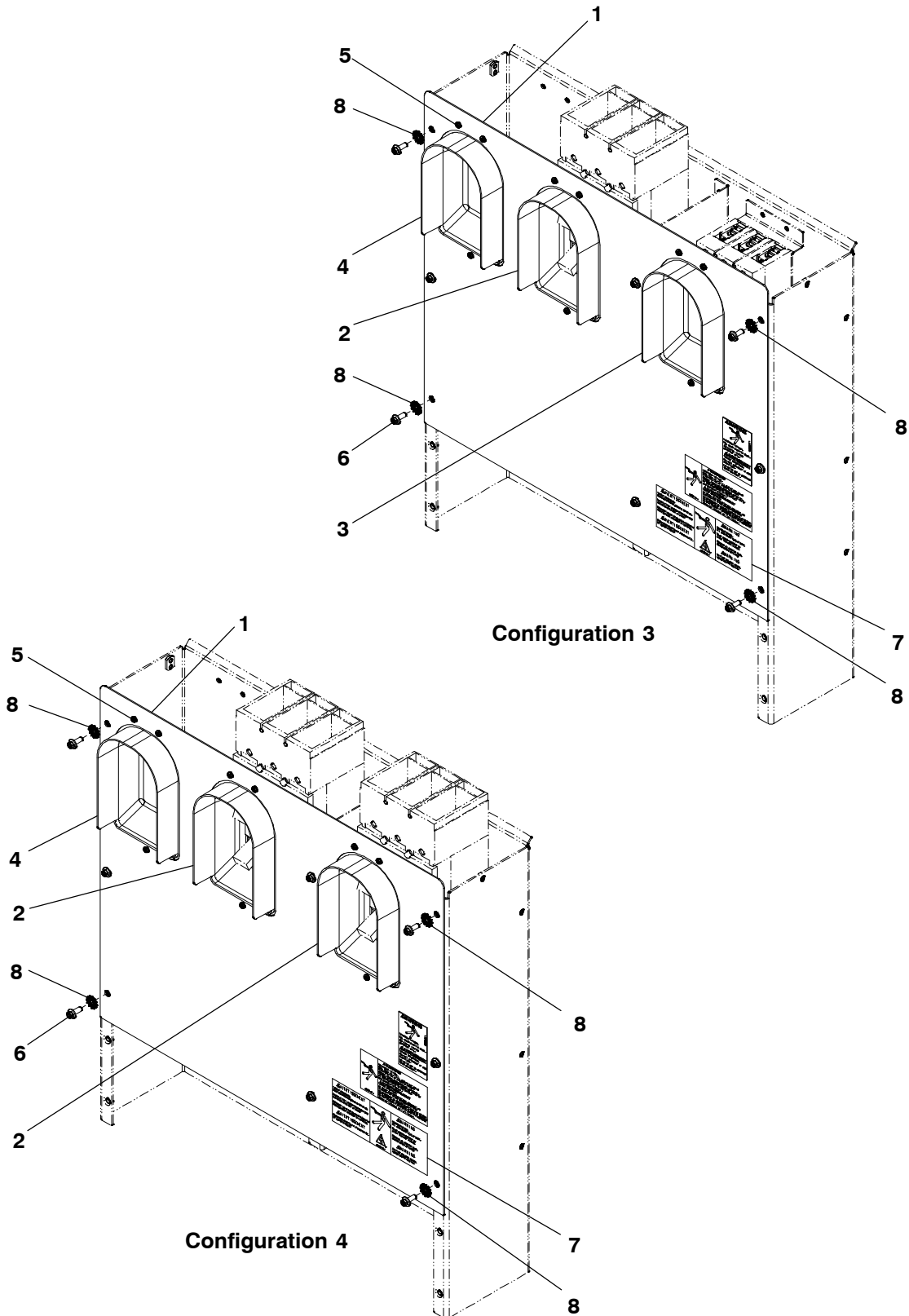
Circuit Breaker Covers - 1 Circuit Breaker (KV03-2)



Circuit Breaker Covers – 1 Circuit Breaker (KV03–2)

Item	Part No.	Description	Qty
1	A047E480	Cover, Circuit Breaker Box	1
2	A050E021	Cup, Circuit Breaker Switch	1
3	A050Y289	Cup, Circuit Breaker Switch	1
4	A050E026	Cup, Circuit Breaker Switch	2
5	A048E352	Screw, Pan Head	9
6	0815–0857–02	Screw, Hex Head	8
7	A055P610	Label, Warning	1
8	0856–0006	Washer, Lock	4

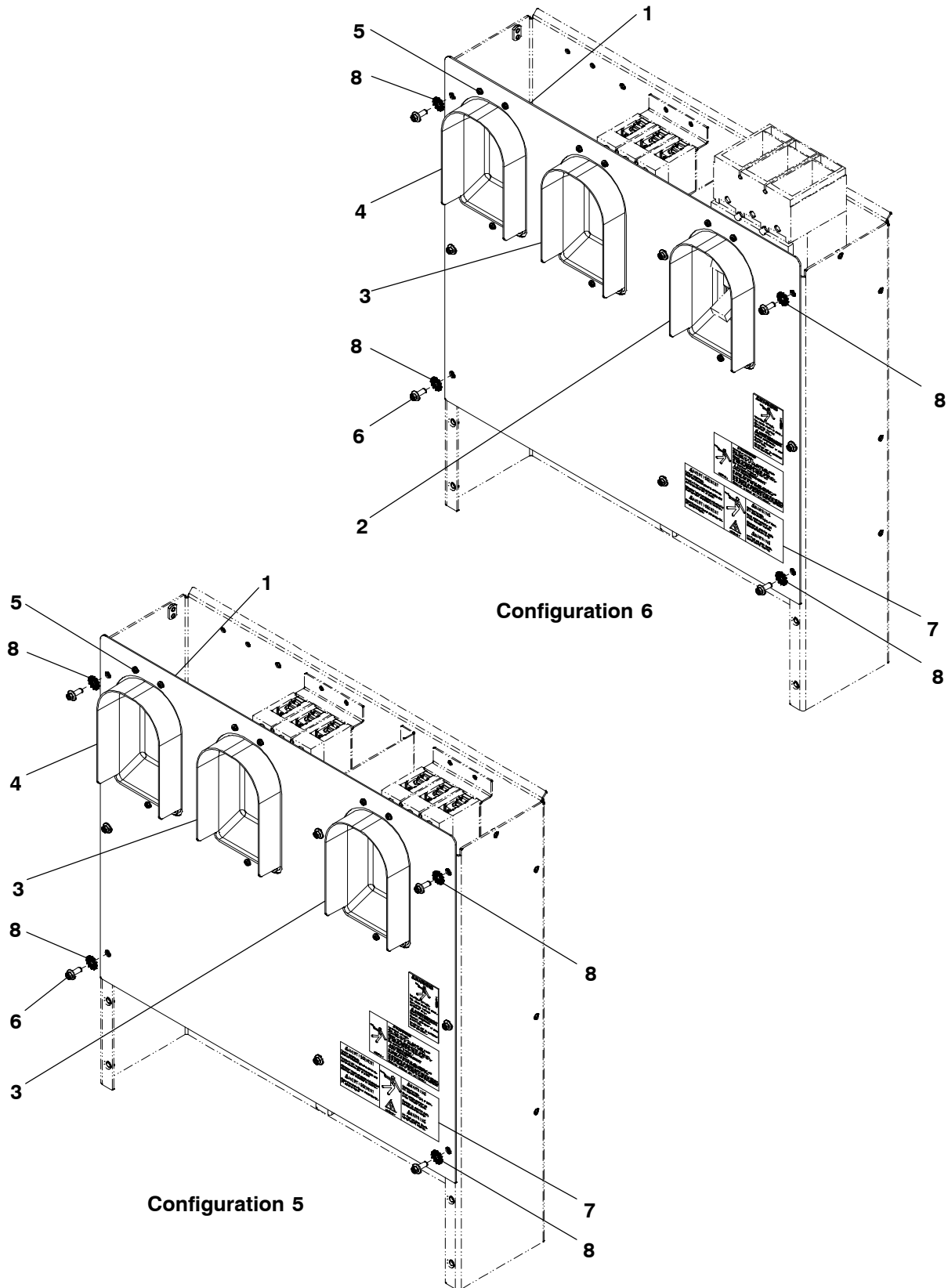
Circuit Breaker Covers - 2 Circuit Breakers (KV04-2)



Circuit Breaker Covers – 2 Circuit Breakers (KV04–2)

Item	Part No.	Description	Qty
1	A047E480	Cover, Circuit Breaker Box	1
2	A050E021	Cup, Circuit Breaker Switch	A/R
3	A050Y289	Cup, Circuit Breaker Switch	1
4	A050E026	Cup, Circuit Breaker Switch	1
5	A048E352	Screw, Pan Head	9
6	0815–0857–02	Screw, Hex Head	8
7	A055P610	Label, Warning	1
8	0856–0006	Washer, Lock	4

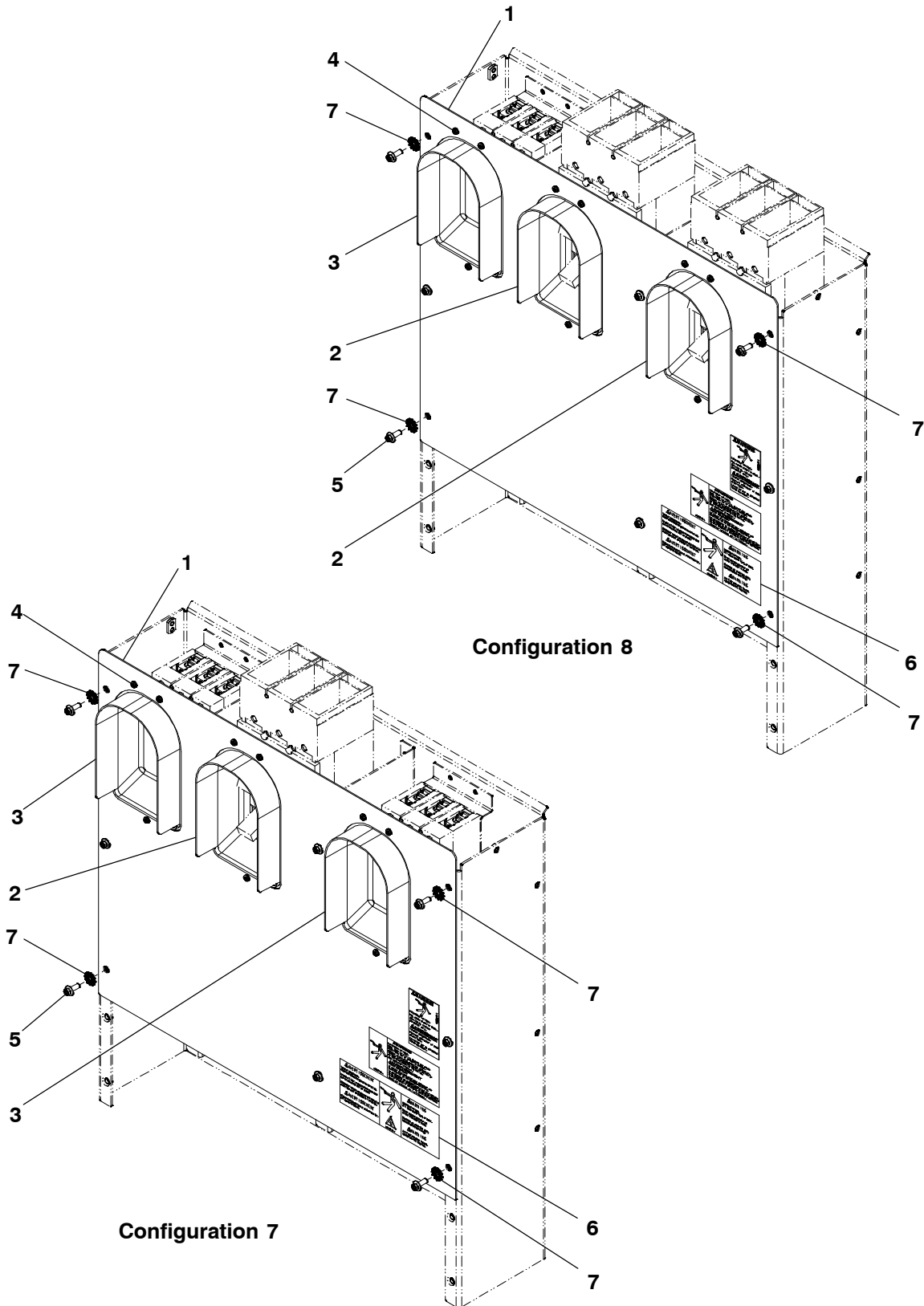
Circuit Breaker Covers – 2 Circuit Breakers (KV04–2) (Continued)



Circuit Breaker Covers – 2 Circuit Breakers (KV04–2) (Continued)

Item	Part No.	Description	Qty
1	A047E480	Cover, Circuit Breaker Box	1
2	A050E021	Cup, Circuit Breaker Switch	1
3	A050Y289	Cup, Circuit Breaker Switch	A/R
4	A050E026	Cup, Circuit Breaker Switch	1
5	A048E352	Screw, Pan Head	9
6	0815–0857–02	Screw, Hex Head	8
7	A055P610	Label, Warning	1
8	0856–0006	Washer, Lock	4

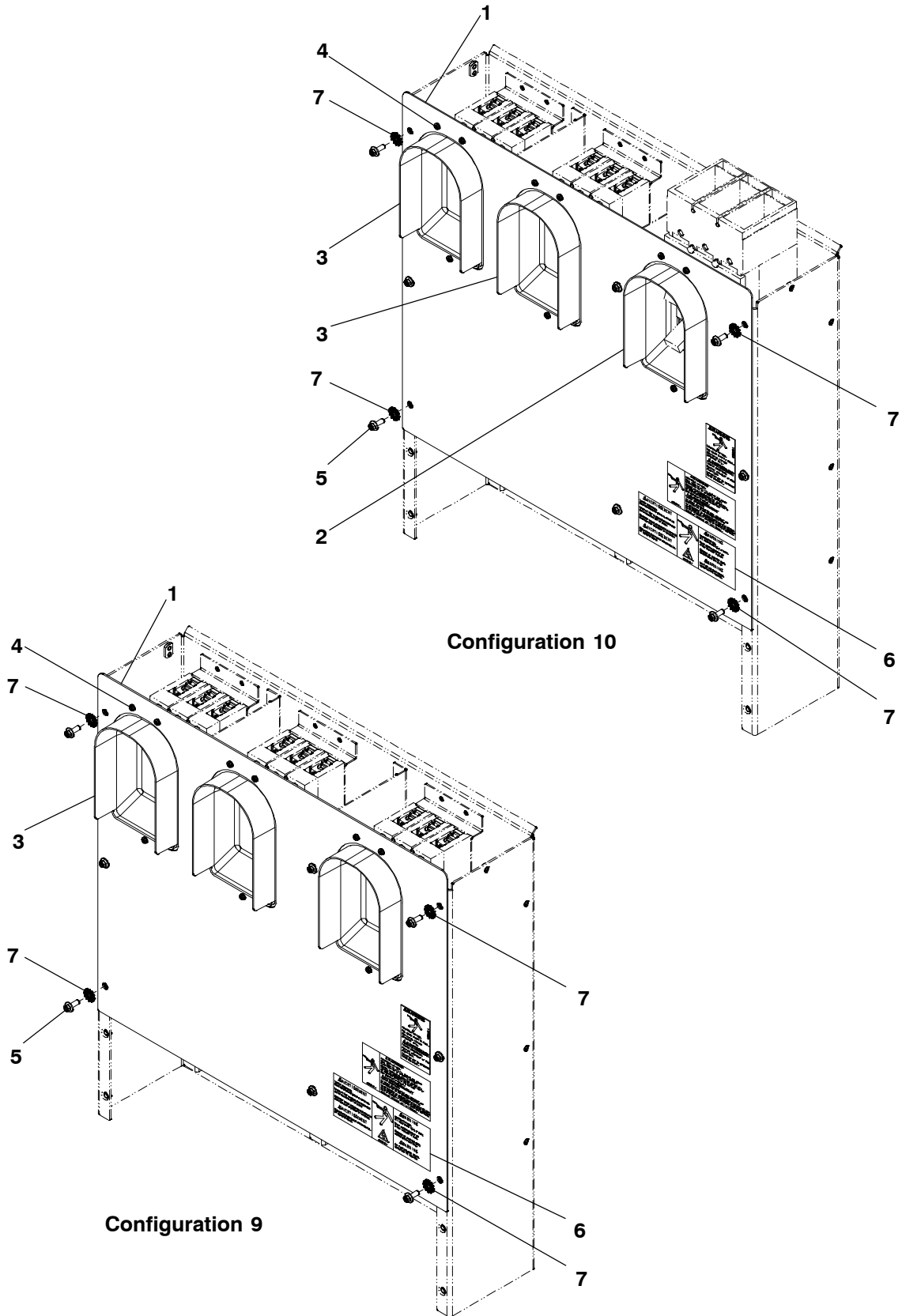
Circuit Breaker Covers - 3 Circuit Breakers (KX25-2)



Circuit Breaker Covers – 3 Circuit Breakers (KX25–2)

Item	Part No.	Description	Qty
1	A047E480	Cover, Circuit Breaker Box	1
2	A050E021	Cup, Circuit Breaker Switch	A/R
3	A050Y289	Cup, Circuit Breaker Switch	A/R
4	A048E352	Screw, Pan Head	9
5	0815–0857–02	Screw, Hex Head	8
6	A055P610	Label, Warning	1
7	0856–0006	Washer, Lock	4

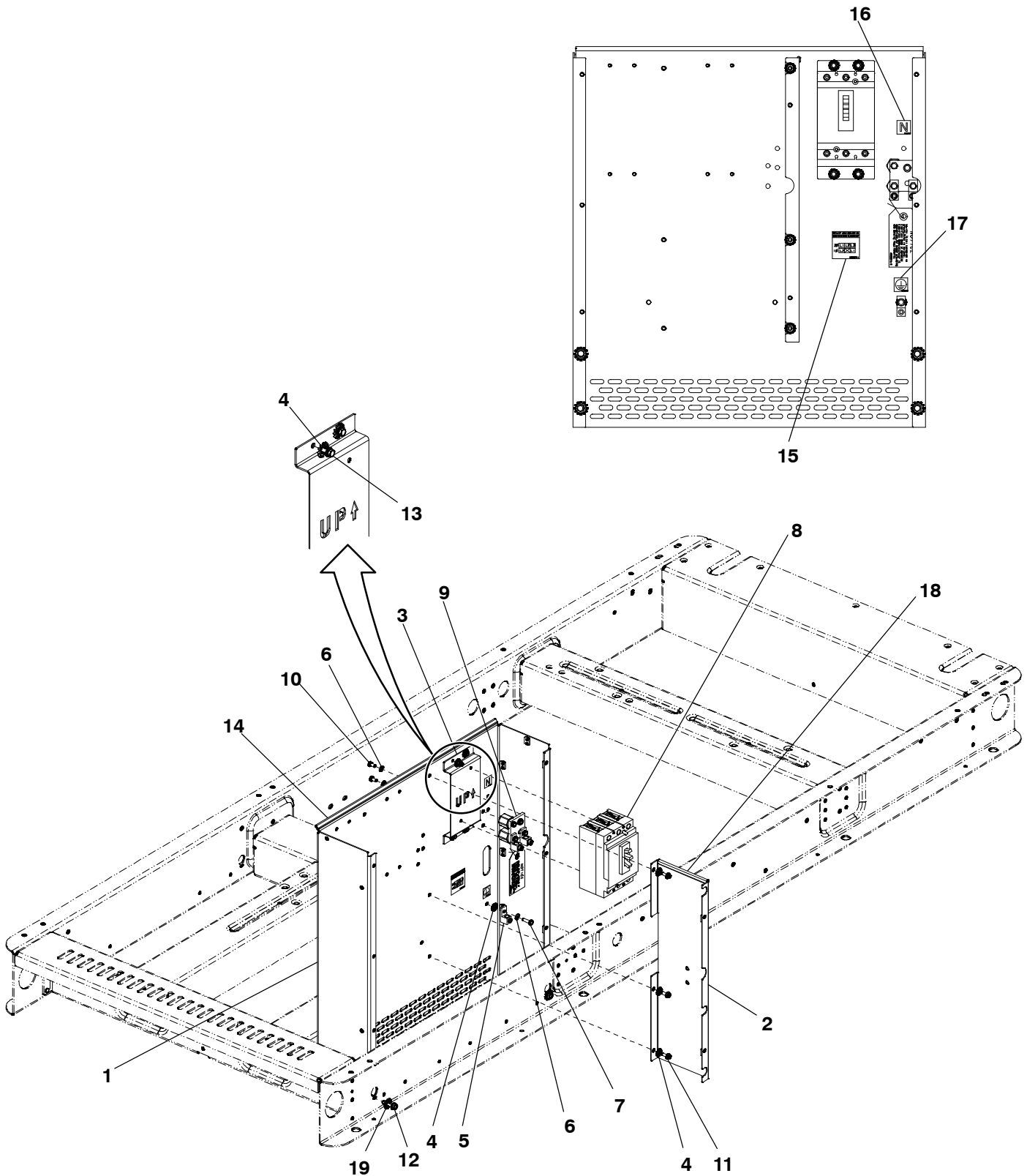
Circuit Breaker Covers – 3 Circuit Breakers (KX25-2) (Continued)



Circuit Breaker Covers – 3 Circuit Breakers (KX25–2) (Continued)

Item	Part No.	Description	Qty
1	A047E480	Cover, Circuit Breaker Box	1
2	A050E021	Cup, Circuit Breaker Switch	1
3	A050Y289	Cup, Circuit Breaker Switch	A/R
4	A048E352	Screw, Pan Head	9
5	0815–0857–02	Screw, Hex Head	8
6	A055P610	Label, Warning	1
7	0856–0006	Washer, Lock	4

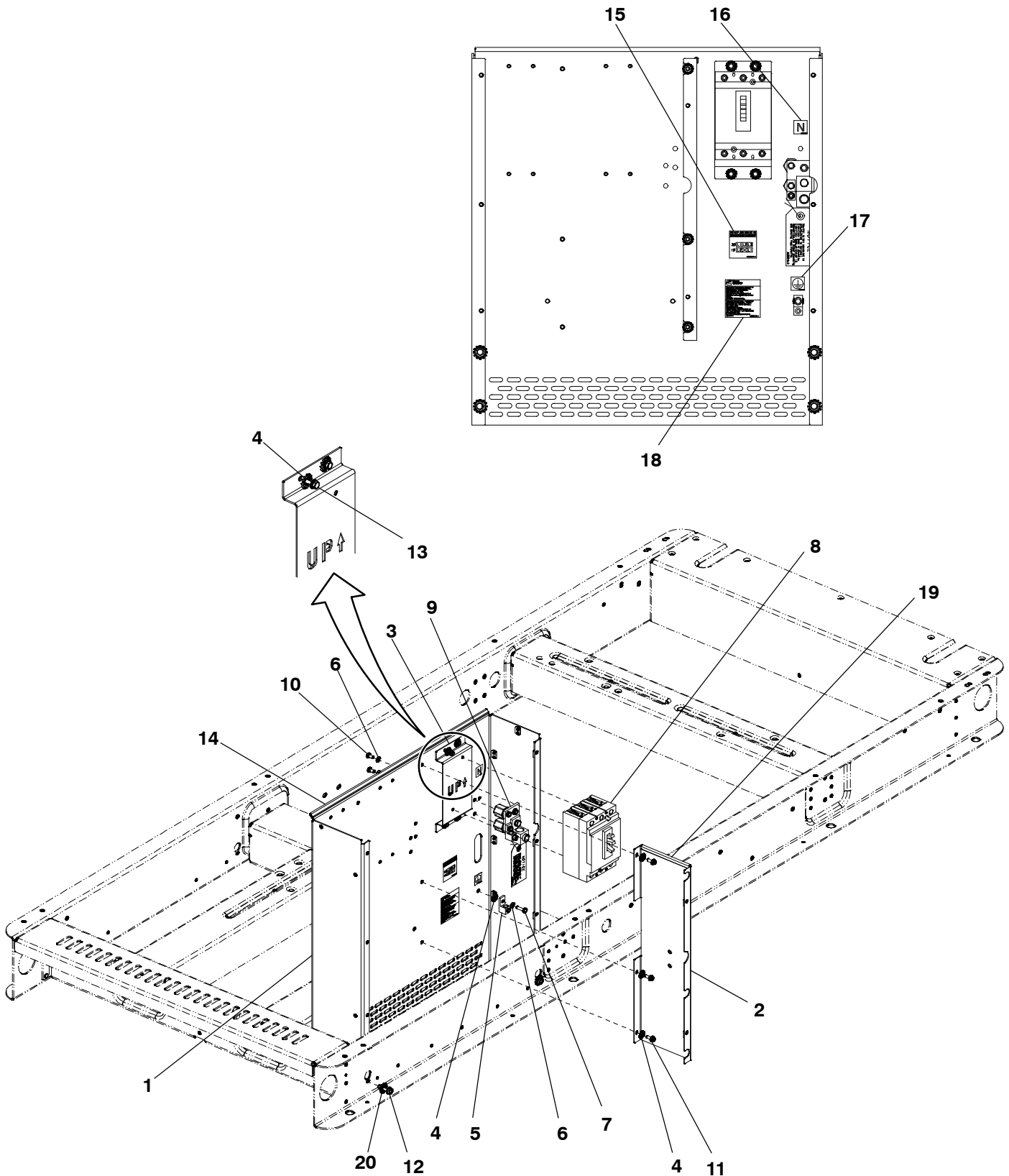
Circuit Breakers (15A–100A) Position “A” (Right Side)



Circuit Breakers (15A–100A) Position “A” (Right Side)

Item	Part No.	Description	Qty
1	A050D494	Box, Circuit Breaker	1
2	A050Y622	Panel, Electrical	1
3	A047U747	Bracket, Circuit Breaker	1
4	0856–0006	Washer, Lock	8
5	0332–3647	Lug, Solderless	1
6	0851–0027	Washer	3
7	0800–0006	Screw, Hex Head	1
8		Breaker, Circuit	
	A044Z215	15A (H-Frame)	1
	A044Z214	20A (H-Frame)	1
	A044Z216	25A (H-Frame)	1
	A044Z213	30A (H-Frame)	1
	A044Z212	40A (H-Frame)	1
	A044Z211	50A (H-Frame)	1
	A044Z210	60A (H-Frame)	1
	A044Z209	70A (H-Frame)	1
	A044Z207	80A (H-Frame)	1
	A044Z206	90A (H-Frame)	1
	A044Z208	100A (H-Frame)	1
9		Bar, Neutral (See Page 143 for Components)	1
10	0800–0003	Screw, Hex Head	2
11	0815–0857–02	Screw, Hex Head	3
12	0815–0781	Screw, Hollow Head	4
13	0821–6001–02	Screw, Hex Head	4
14	A050Y809	Edging	1
15	A050G752	Label, Marking	1
16	A044H599	Label, Neutral	1
17	A044F269	Label, Ground	1
18	A052H541	Edging	1
19	0856–0010	Washer, Lock	4
20	A042N860	Tie, Cable (Not Shown)	1

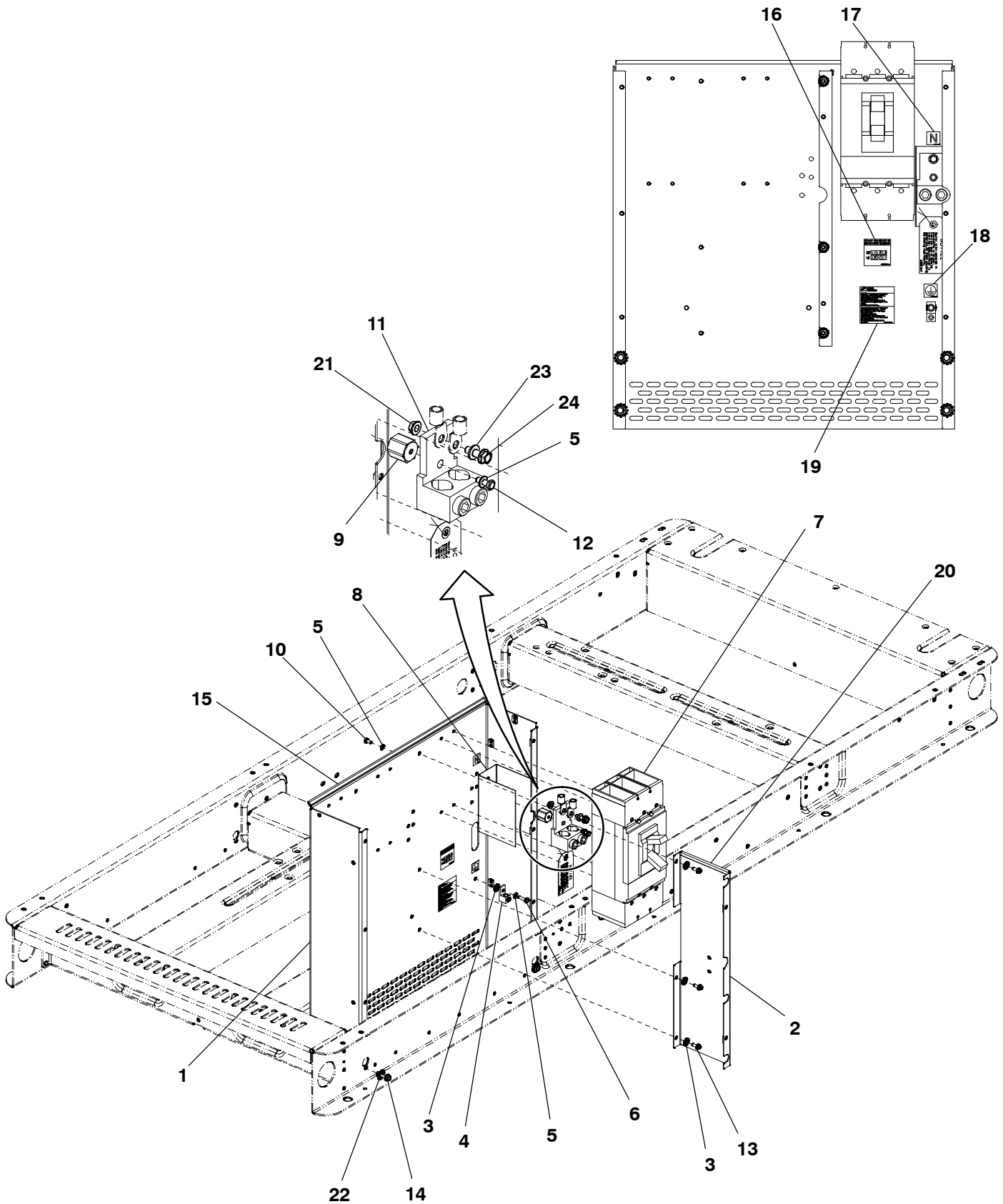
Circuit Breakers (125A-250A) Position "A" (Right Side)



Circuit Breakers (125A–250A) Position “A” (Right Side)

Item	Part No.	Description	Qty
1	A050D494	Box, Circuit Breaker	1
2	A050Y622	Panel, Electrical	1
3	A047U747	Bracket, Circuit Breaker	1
4	0856–0006	Washer, Lock	8
5	0332–3647	Lug, Solderless	1
6	0851–0027	Washer	3
7	0800–0006	Screw, Hex Head	1
8		Breaker, Circuit	
	A044Z205	125A (H-Frame)	1
	A044Z204	150A (H-Frame)	1
	A044Z189	175A (J-Frame)	1
	A044Z187	200A (J-Frame)	1
	A044Z186	225A (J-Frame)	1
	A050P694	250A (80%) LSI (J-Frame)	1
	A050P695	250A (100%) LSI (J-Frame)	1
9		Bar, Neutral (See Page 144 for Components)	1
10	0800–0003	Screw, Hex Head	2
11	0815–0857–02	Screw, Hex Head	3
12	0815–0781	Screw, Hollow Head	4
13	0821–6001–02	Screw, Hex Head	4
14	A050Y809	Edging	1
15	A050G752	Label, Marking	1
16	A044H599	Label, Neutral	1
17	A044F269	Label, Ground	1
18	A051G977	Label, Marking	1
19	A052H541	Edging	1
20	0856–0010	Washer, Lock	4
21	A042N860	Tie, Cable (Not Shown)	1

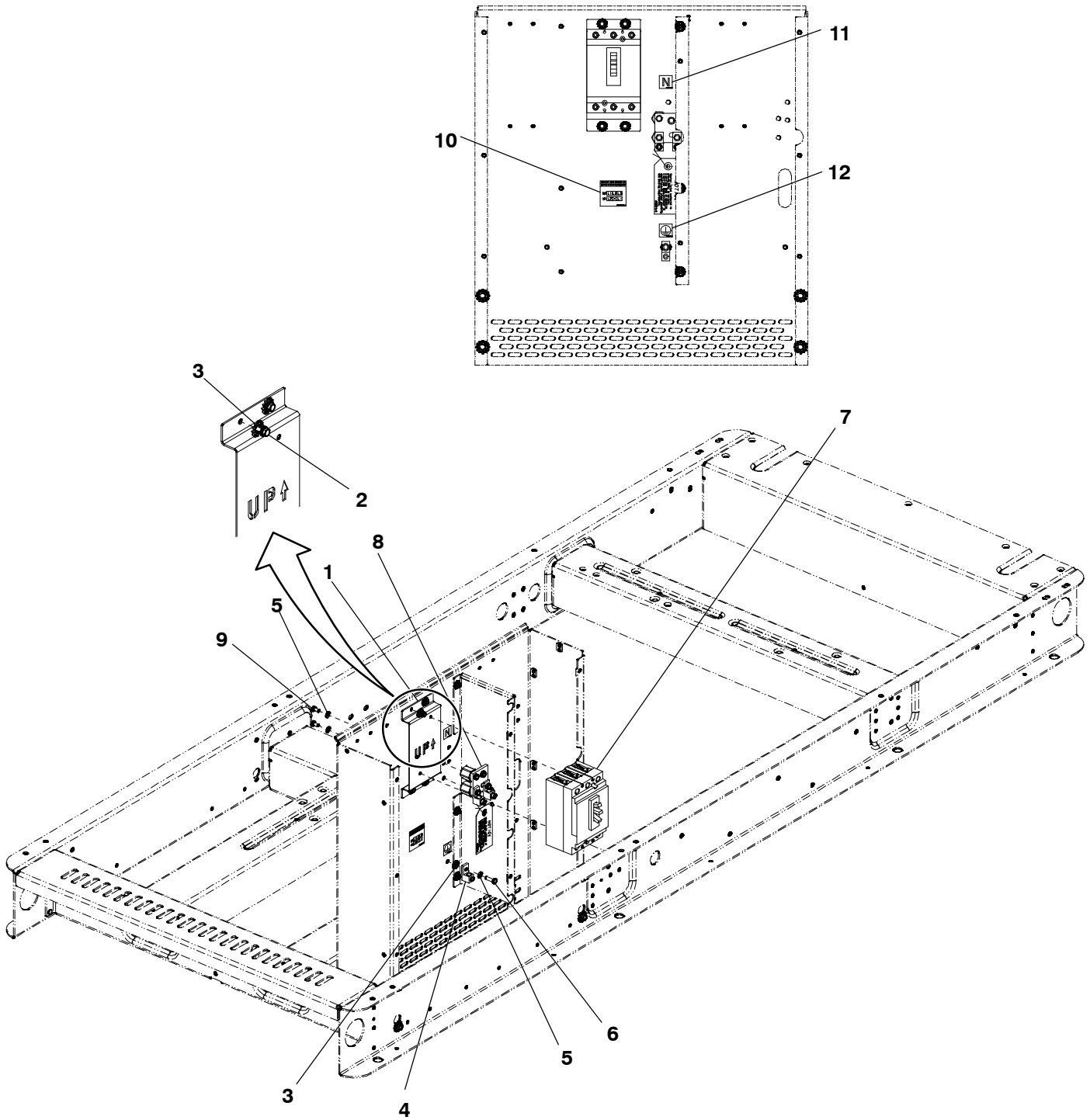
Circuit Breakers (400A-600A) Position "A" (Right Side)



Circuit Breakers (400A–600A) Position “A” (Right Side)

Item	Part No.	Description	Qty
1	A050D494	Box, Circuit Breaker	1
2	A050Y622	Panel, Electrical	1
3	0856–0006	Washer, Lock	4
4	0332–3647	Lug, Solderless	1
5	0851–0027	Washer	3
6	0800–0006	Screw, Hex Head	1
7		Breaker, Circuit	
	A045U169	400A – 80% Electronic LSI (L-Frame)	1
	A052T045	400A – 100% Electronic LSI (L-Frame)	1
	A045U164	600A – 80% Electronic LSI (L-Frame)	1
8	A050F602	Barrier, Phase	1
9	0332–3597	Standoff, Insulator	1
10	0800–0003	Screw, Hex Head	1
11	A050R300	Lug, Solderless	1
12	0800–0005	Screw, Hex Head	1
13	0815–0857–02	Screw, Hex Head	3
14	0815–0781	Screw, Hollow Head	4
15	A050Y809	Edging	1
16	A050G752	Label, Marking	1
17	A044H599	Label, Neutral	1
18	A044F269	Label, Ground	1
19	A050G754	Label, Marking	1
20	A052H541	Edging	1
21	0870–2055	Nut, Flange Lock	1
22	0856–0010	Washer, Lock	4
23	0851–0028	Washer	1
24	0815–0954–03	Screw, Flange Head	1
25	A042N860	Tie, Cable (Not Shown)	1

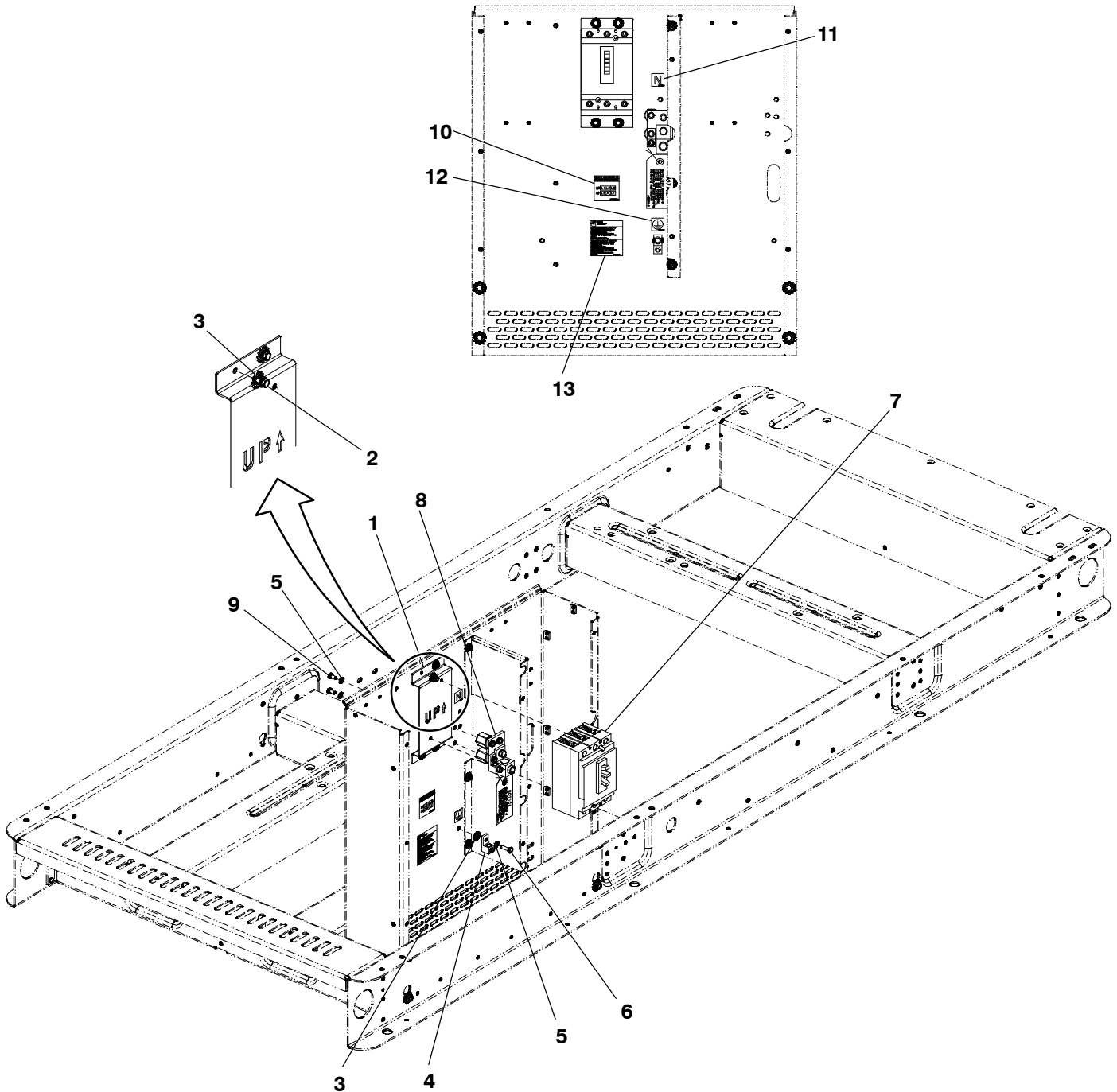
Circuit Breakers (15A-100A) Position "B" (Center)



Circuit Breakers (15A–100A) Position “B” (Center)

Item	Part No.	Description	Qty
1	A047U747	Bracket, Circuit Breaker	1
2	0821–6001–02	Screw, Hex Head	4
3	0856–0006	Washer, Lock	5
4	0332–3647	Lug, Solderless	1
5	0851–0027	Washer	3
6	0800–0006	Screw, Hex Head	1
7		Breaker, Circuit	
	A044Z215	15A (H-Frame)	1
	A044Z214	20A (H-Frame)	1
	A044Z216	25A (H-Frame)	1
	A044Z213	30A (H-Frame)	1
	A044Z212	40A (H-Frame)	1
	A044Z211	50A (H-Frame)	1
	A044Z210	60A (H-Frame)	1
	A044Z209	70A (H-Frame)	1
	A044Z207	80A (H-Frame)	1
	A044Z206	90A (H-Frame)	1
	A044Z208	100A (H-Frame)	1
8		Bar, Neutral (See Page 144 for Components)	1
9	0800–0003	Screw, Hex Head	2
10	A050G752	Label, Marking	1
11	A044H599	Label, Neutral	1
12	A044F269	Label, Ground	1
13	A042N860	Tie, Cable (Not Shown)	1

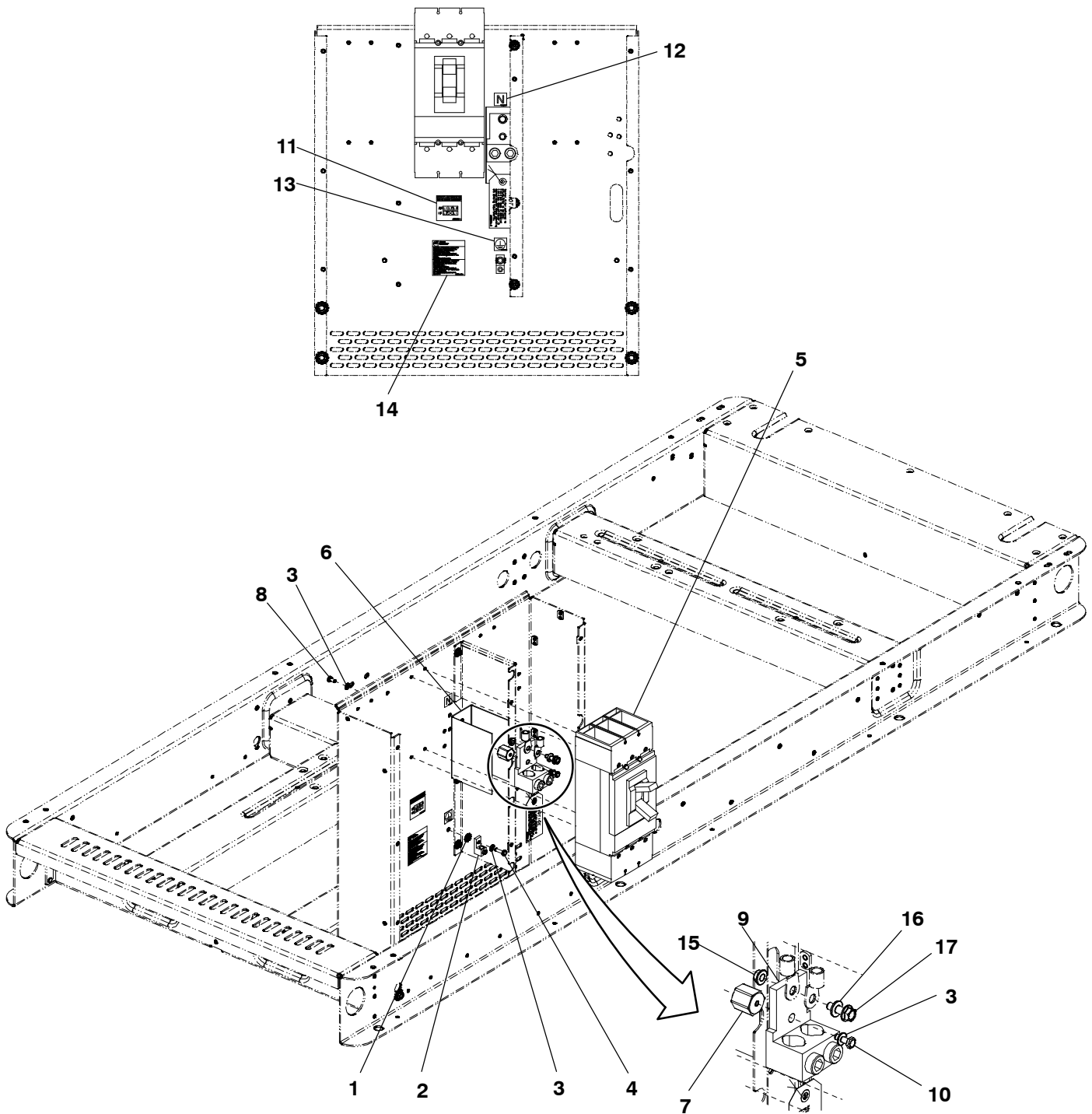
Circuit Breakers (125A-250A) Position "B" (Center)



Circuit Breakers (125A–250A) Position “B” (Center)

Item	Part No.	Description	Qty
1	A047U747	Bracket, Circuit Breaker	1
2	0821–6001–02	Screw, Hex Head	4
3	0856–0006	Washer, Lock	5
4	0332–3647	Lug, Solderless	1
5	0851–0027	Washer	3
6	0800–0006	Screw, Hex Head	1
7		Breaker, Circuit	
	A044Z205	125A (H-Frame)	1
	A044Z204	150A (H-Frame)	1
	A044Z189	175A (J-Frame)	1
	A044Z187	200A (J-Frame)	1
	A044Z186	225A (J-Frame)	1
	A044Z185	250A (J-Frame)	1
	A050P695	250A – 100% Electronic LSI (J-Frame)	1
8		Bar, Neutral (See Page 144 for Components)	1
9	0800–0003	Screw, Hex Head	2
10	A050G752	Label, Marking	1
11	A044H599	Label, Neutral	1
12	A044F269	Label, Ground	1
13	A051G977	Label, Marking	1
14	A042N860	Tie, Cable (Not Shown)	1

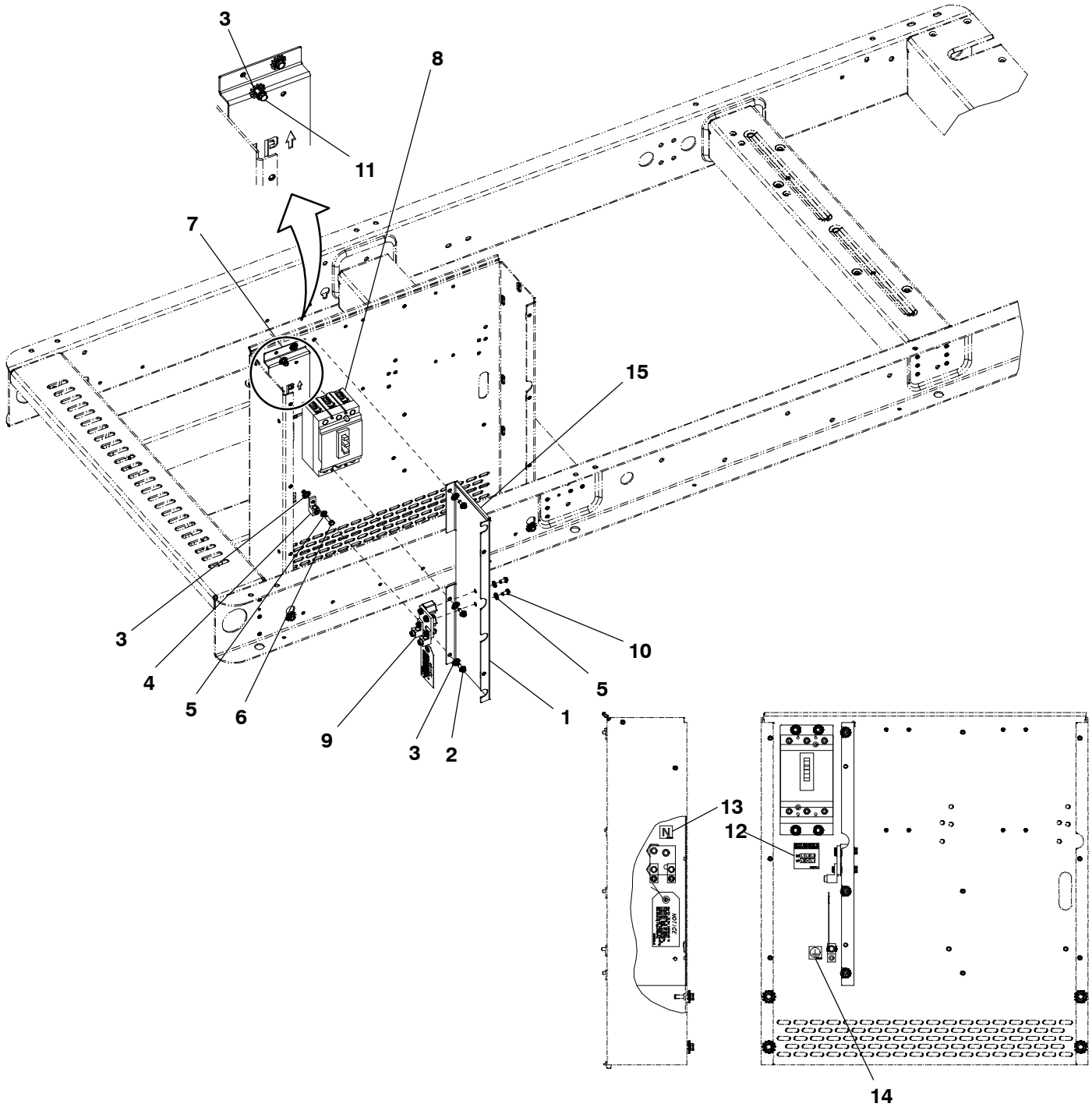
Circuit Breakers (400A-600A) Position "B" (Center)



Circuit Breakers (400A–600A) Position “B” (Center)

Item	Part No.	Description	Qty
1	0856–0006	Washer, Lock	1
2	0332–3647	Lug, Solderless	1
3	0851–0027	Washer	3
4	0800–0006	Screw, Hex Head	1
5		Breaker, Circuit	
	A045U169	400A – 80% Electronic LSI (L-Frame)	1
	A052T045	400A – 100% Electronic LSI (L-Frame)	1
	A045U164	600A – 80% Electronic LSI (L-Frame)	1
6	A050F602	Barrier, Phase	1
7	0332–3597	Standoff, Insulator	1
8	0800–0003	Screw, Hex Head	1
9	A050R300	Lug, Solderless	1
10	0800–0005	Screw, Hex Head	1
11	A050G752	Label, Marking	1
12	A044H599	Label, Neutral	1
13	A044F269	Label, Ground	1
14	A051G977	Label, Marking	1
15	0870–2055	Nut, Flange Lock	1
16	0851–0028	Washer	1
17	0815–0954–03	Screw, Flange Head	1
18	A042N860	Tie, Cable (Not Shown)	1

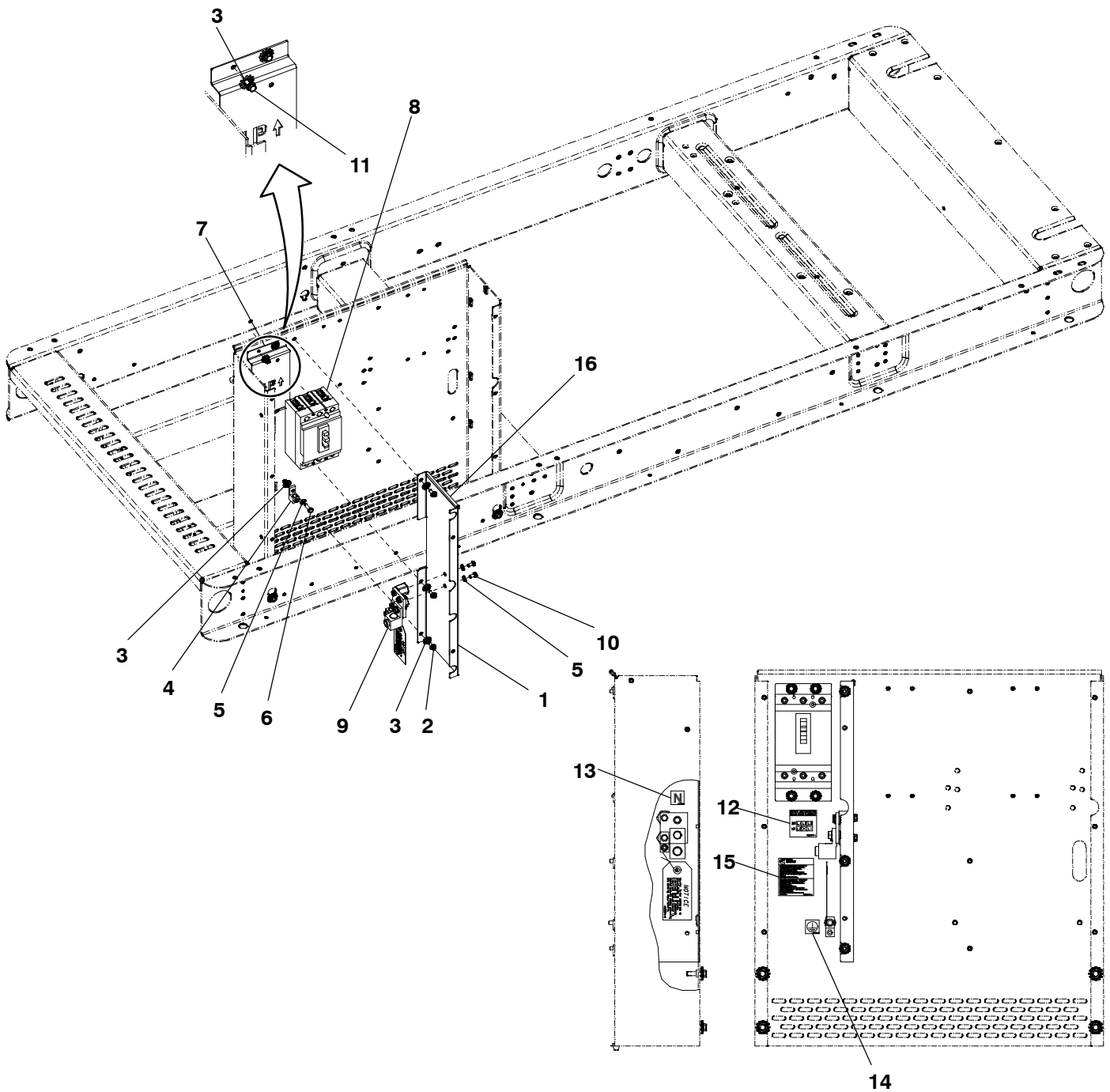
Circuit Breakers (15A-100A) Position "C" (Left Side)



Circuit Breakers (15A–100A) Position “C” (Left Side)

Item	Part No.	Description	Qty
1	A050Y622	Panel, Electrical	1
2	0815–0857–02	Panel, Electrical	3
3	0856–0006	Washer, Lock	1
4	0332–3647	Lug, Solderless	1
5	0851–0027	Washer	3
6	0800–0006	Screw, Hex Head	1
7	A047U747	Bracket, Circuit Breaker	1
8		Breaker, Circuit	
	A044Z215	15A (H-Frame)	1
	A044Z214	20A (H-Frame)	1
	A044Z216	25A (H-Frame)	1
	A044Z213	30A (H-Frame)	1
	A044Z212	40A (H-Frame)	1
	A044Z211	50A (H-Frame)	1
	A044Z210	60A (H-Frame)	1
	A044Z209	70A (H-Frame)	1
	A044Z207	80A (H-Frame)	1
	A044Z206	90A (H-Frame)	1
	A044Z208	100A (H-Frame)	1
9		Bar, Neutral (See Page 143 for Components)	1
10	0800–0003	Screw, Hex Head	2
11	0821–6001–02	Screw, Hex Head	4
12	A050G752	Label, Marking	1
13	A044H599	Label, Neutral	1
14	A044F269	Label, Ground	1
15	A052H541	Edging	1
16	A042N860	Tie, Cable (Not Shown)	1

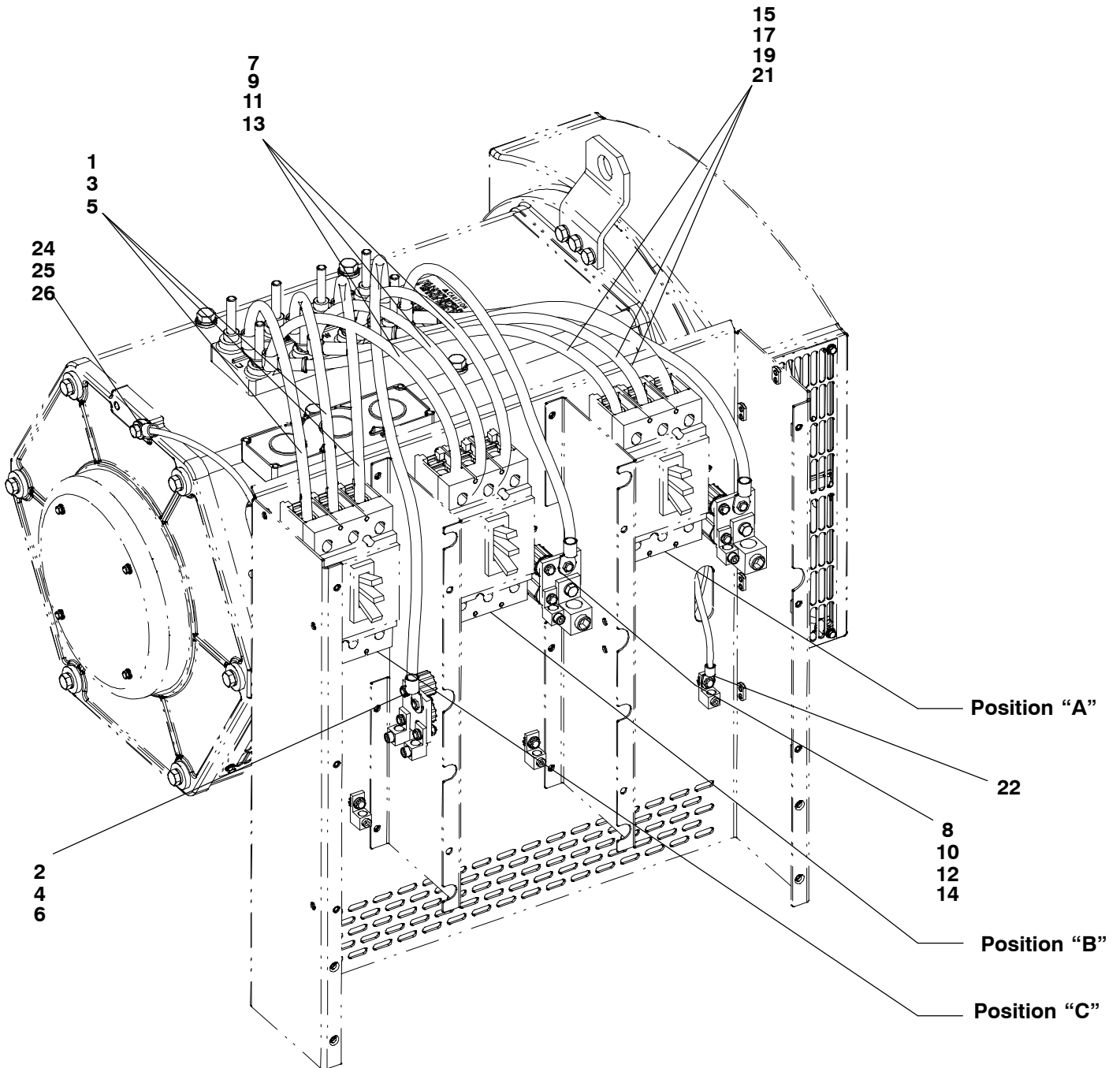
Circuit Breakers (125A-250A) Position "C" (Left Side)



Circuit Breakers (125A–250A) Position “C” (Left Side)

Item	Part No.	Description	Qty
1	A050Y622	Panel, Electrical	1
2	0815–0857–02	Screw, Hex Head	3
3	0856–0006	Washer, Lock	1
4	0332–3647	Lug, Solderless	1
5	0851–0027	Washer	3
6	0800–0006	Screw, Hex Head	1
7	A047U747	Bracket, Circuit Breaker	1
8		Breaker, Circuit	
	A044Z205	125A (H-Frame)	1
	A044Z204	150A (H-Frame)	1
	A044Z189	175A (J-Frame)	1
	A044Z187	200A (J-Frame)	1
	A044Z186	225A (J-Frame)	1
	A044Z185	250A (80%) (J-Frame)	1
	A050P695	250A (100%) (J-Frame)	1
9		Bar, Neutral (See Page 144 for Components)	1
10	0800–0003	Screw, Hex Head	2
11	0821–6001–02	Screw, Hex Head	4
12	A050G752	Label, Marking	1
13	A044H599	Label, Neutral	1
14	A044F269	Label, Ground	1
15	A051G977	Label, Marking	1
16	A052H541	Edging	1
17	A042N860	Tie, Cable (Not Shown)	1

Leads



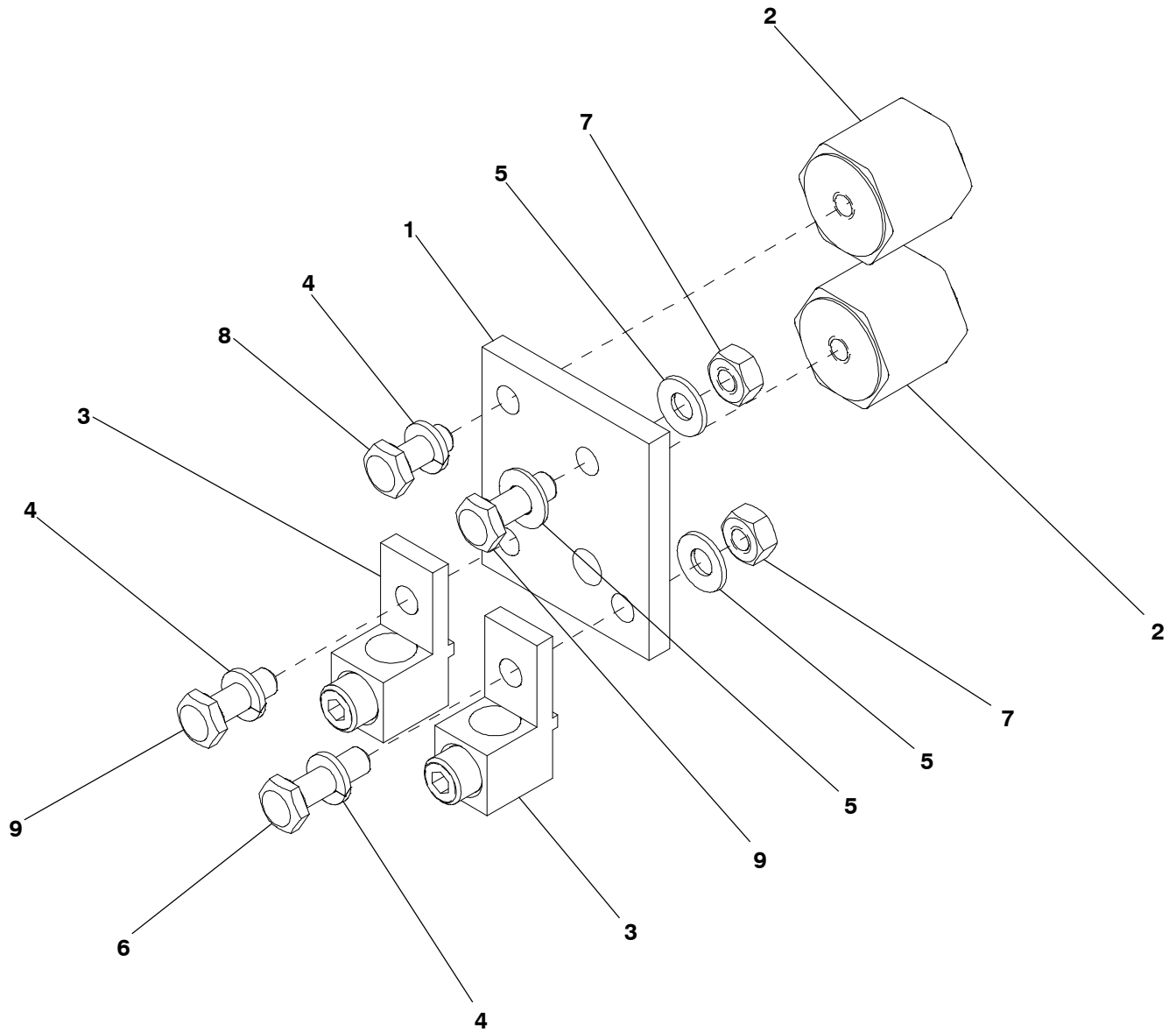
Leads

Item	Part No.	Description	Qty
1		Lead	
	A050R837	3 Phase, 4 Wire	3
	A050R837	1 Phase, 3 Wire	2
2	A050R831	Lead	1
3		Lead	
	A050R845	3 Phase, 4 Wire	3
	A050R845	1 Phase, 3 Wire	2
4	A050R841	Lead	1
5		Lead	
	A050R851	3 Phase, 4 Wire	3
	A050R851	1 Phase, 3 Wire	2
6	A050R849	Lead	1
7		Lead	
	A050R836	3 Phase, 4 Wire	3
	A050R836	1 Phase, 3 Wire	2
8	A050R829	Lead	1
9		Lead	
	A050R844	3 Phase, 4 Wire	3
	A050R844	1 Phase, 3 Wire	2
10	A050R839	Lead	1
11		Lead	3
	A050R850	3 Phase, 4 Wire	3
	A050R850	1 Phase, 3 Wire	2
12	A050R848	Lead	1
13		Lead	
	A050R846	3 Phase, 4 Wire	6
	A050R846	1 Phase, 3 Wire	2
14	A050R840	Lead	2
15		Lead	3
	A050R838	3 Phase, 4 Wire	2
	A050R838	1 Phase, 3 Wire	3
16	A050R832	Lead	1
17		Lead	
	A050R843	3 Phase, 4 Wire	3
	A050R843	1 Phase, 3 Wire	2
18	A050R842	Lead	2
19		Lead	
	A050R854	3 Phase, 4 Wire	3
	A050R854	1 Phase, 3 Wire	2
20	A050R847	Lead	1
		Continued...	

Leads

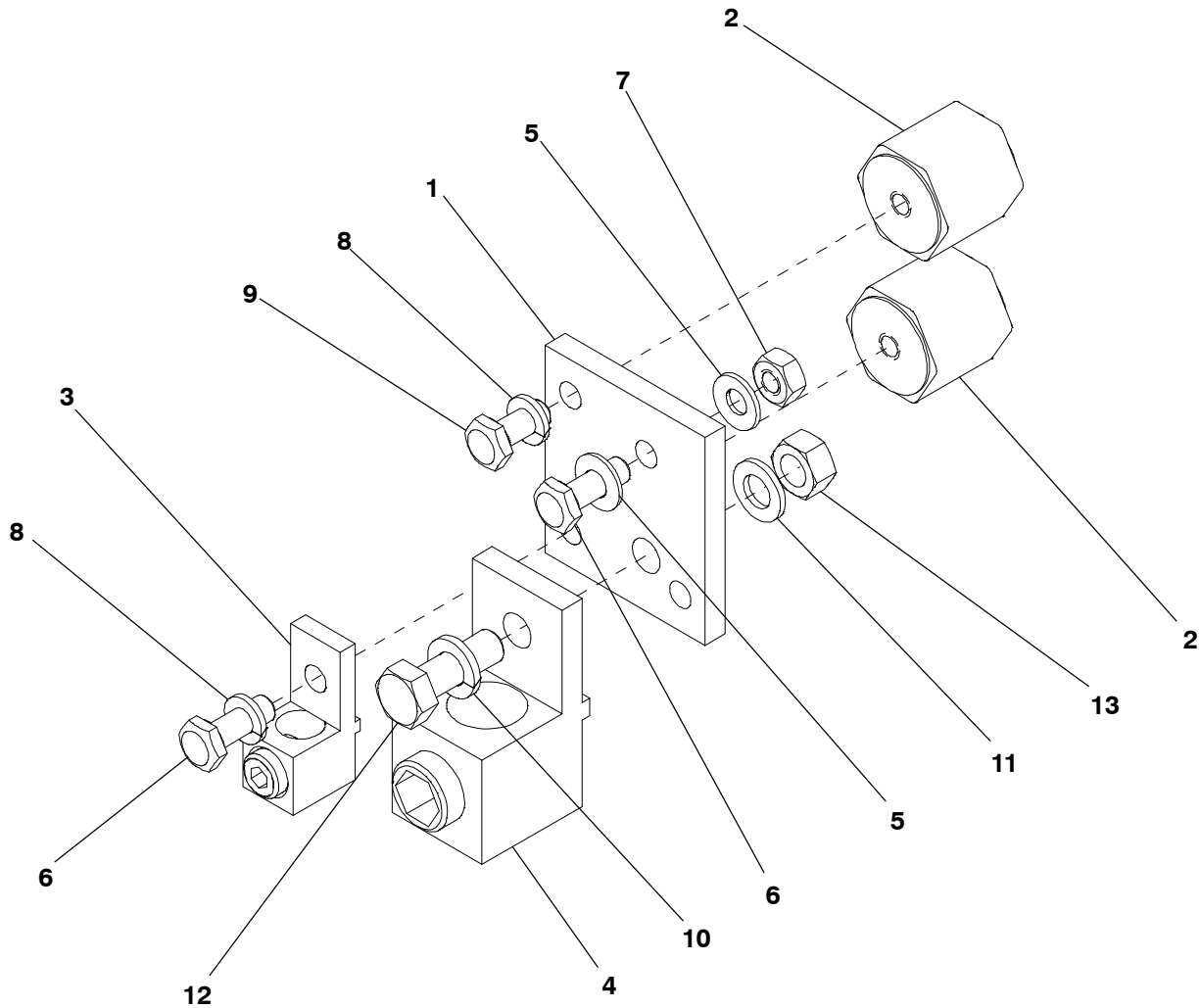
Item	Part No.	Description	Qty
		Continued...	
21		Lead	
	A050R857	3 Phase, 4 Wire	3
	A050R857	1 Phase, 3 Wire	2
22	A050R856	Lead (Includes A048V222 Cable Lead)	1
23	0332-3008	Tie, Cable	6
24	0850-0114-55	Washer, Lock	1
25	0526-0399-62	Washer, Flat	1
26	0800-3017-36	Screw, Hex Head	1
	0332-0162	Terminal, Ring (Not Shown)	1
	A035B577	Terminal, Ring (.38) (Not Shown)	1
	0332-2987	Link, Terminal (Not Shown)	4

Neutral Bar



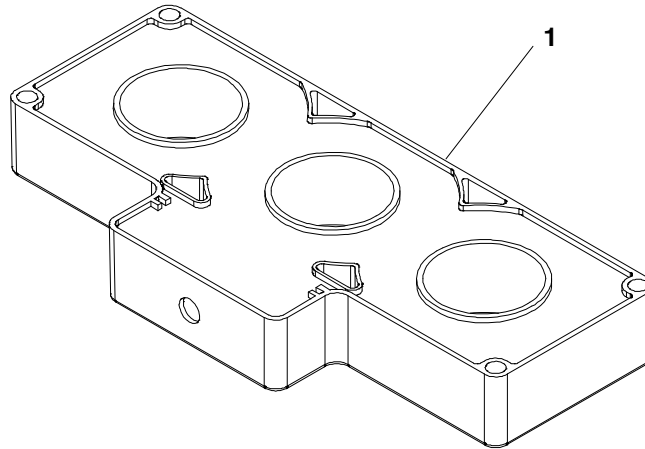
Item	Part No.	Description	Qty
1	A050N784	Busbar, Neutral	1
2	0332-3597	Standoff, Insulator	2
3	0332-3084	Lug, Solderless	2
4	0850-2006	Washer, Lock	3
5	0851-0027	Washer	3
6	0800-0006	Screw, Hex Head	1
7	0862-0001	Nut, Hex	2
8	0800-0004	Screw, Hex Head	1
9	0800-0005	Screw, Hex Head	2

Neutral Bar



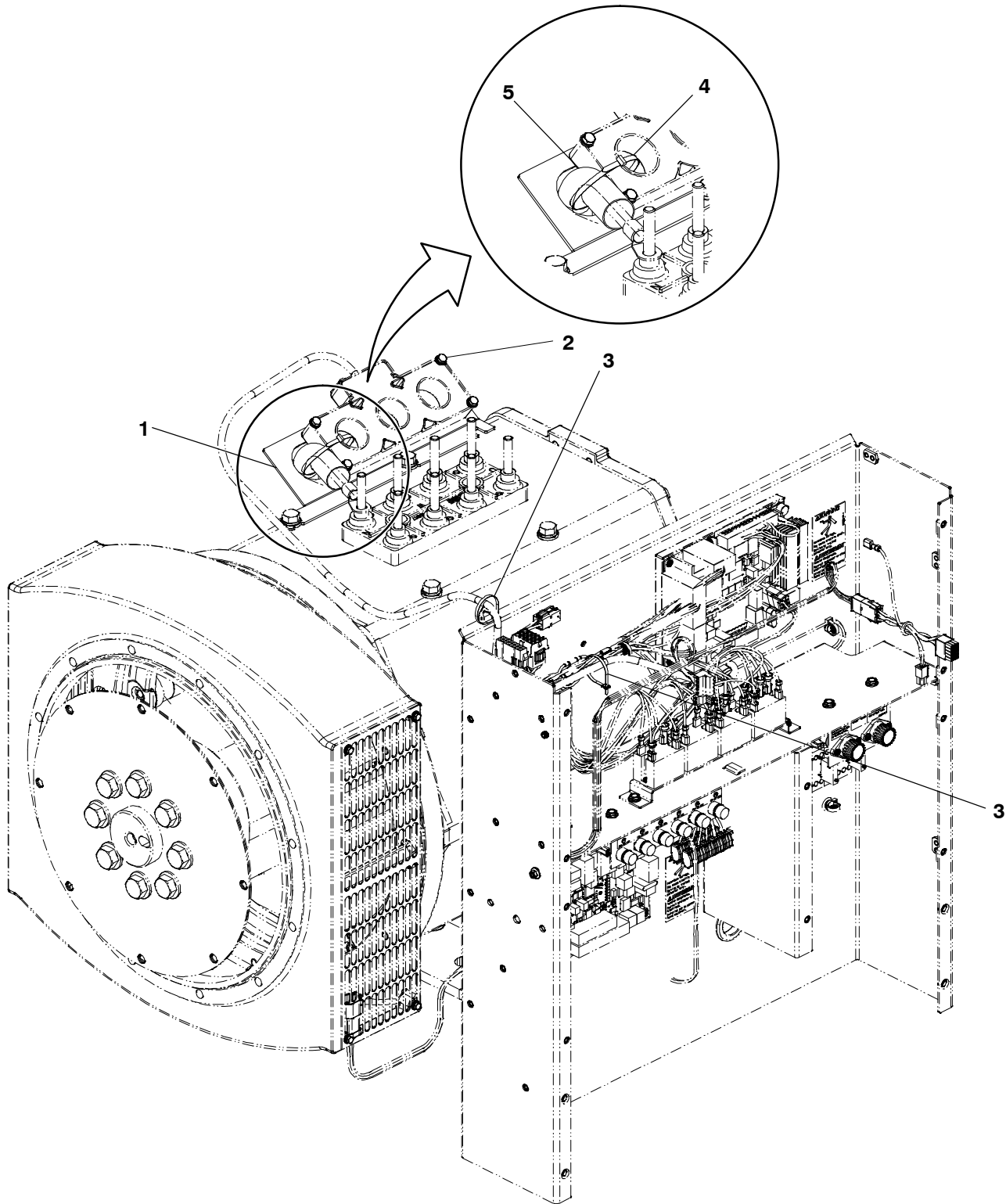
Item	Part No.	Description	Qty
1	A050N784	Busbar, Neutral	1
2	0332-3597	Standoff, Insulator	2
3	0332-3084	Lug, Solderless	1
4	A047D352	Lug, Solderless	1
5	0851-0027	Washer	2
6	0800-0005	Screw, Hex Head	2
7	0862-0001	Nut, Hex	1
8	0850-2006	Washer, Lock	2
9	0800-0004	Screw, Hex Head	1
10	0850-2008	Washer, Lock	1
11	0526-2101	Washer, Flat	1
12	0800-3017-20	Screw, Hex Head	1
13	0860-2008	Nut	1

Current Transformer



Item	Part No.	Description	Qty
1		Transformer, Current	
	A047V389	CT Primary (A) 150/300 (C50 D6C, C60 D6C)	3
	A047V393	CT Primary (A) 200/400 (C80 D6C)	3
	A047V394	CT Primary (A) 250/500 (C50 D6C, C100 D6C)	3
	A047V395	CT Primary (A) 300/600 (C60 D6C, C125 D6C)	3
	A047V396	CT Primary (A) 400/800 (C80 D6C)	3
	A047V397	CT Primary (A) 450/900 (100 D6C, C125 D6C)	3

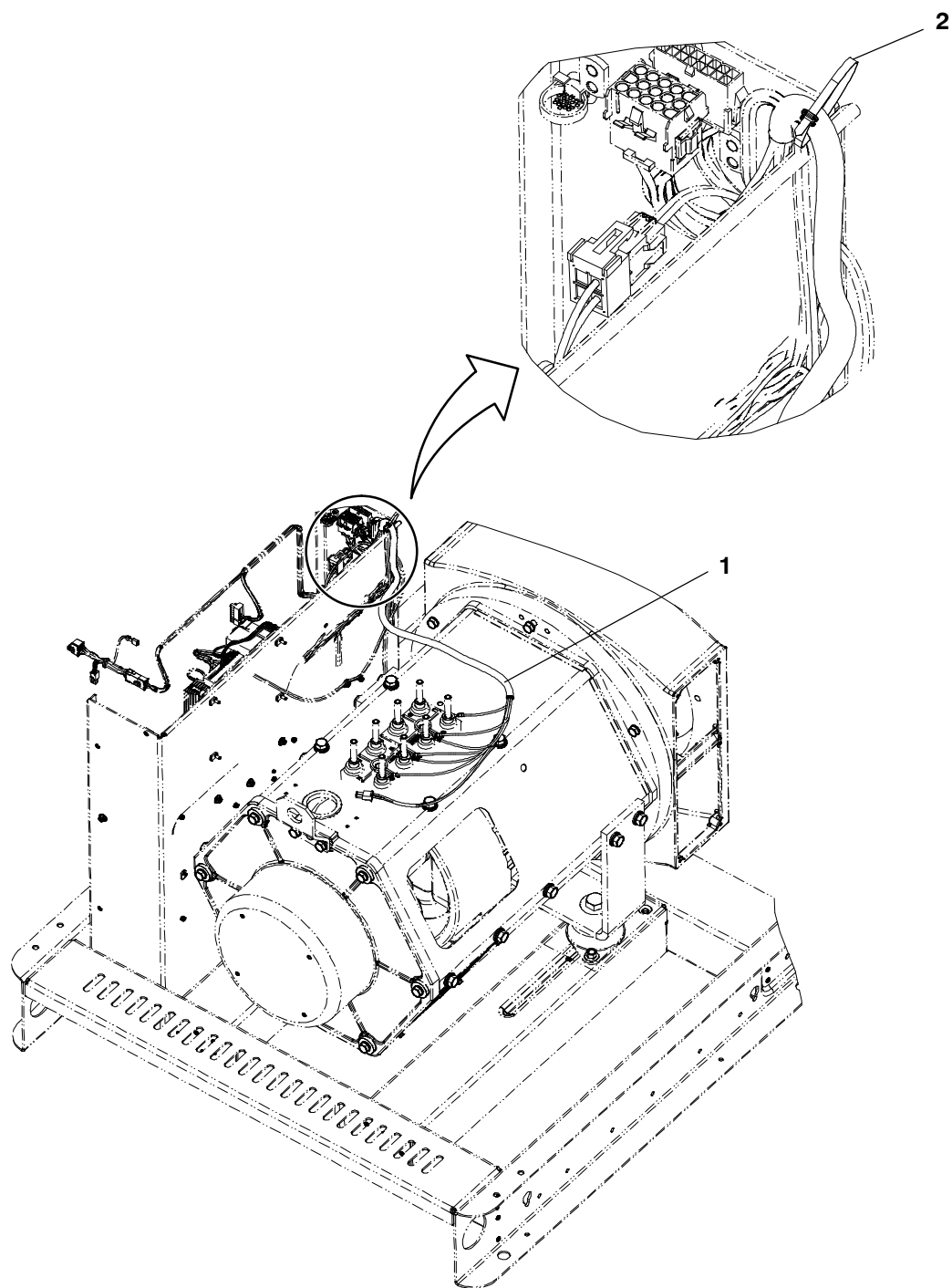
Current Transformer Mounting



Current Transformer Mounting

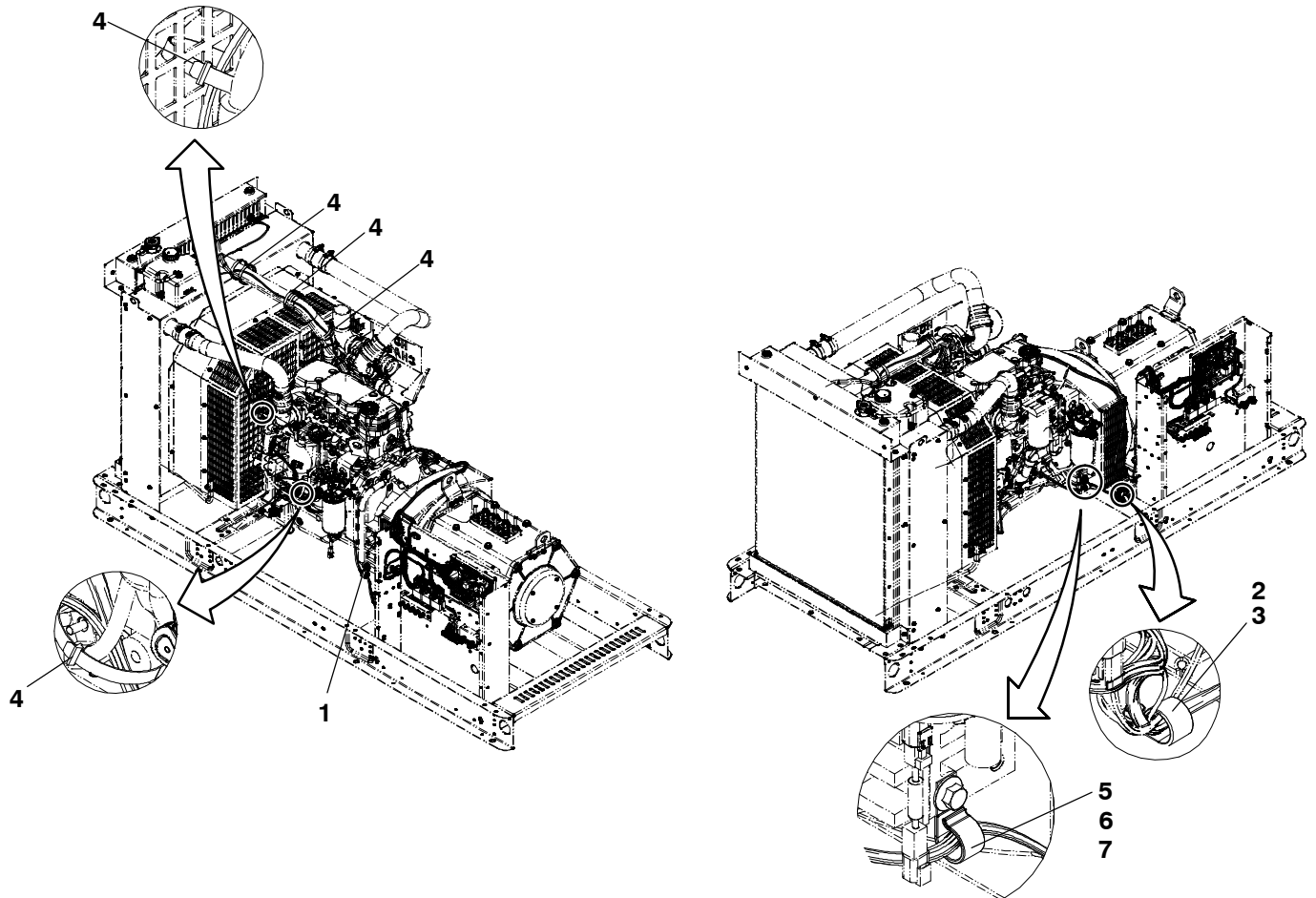
Item	Part No.	Description	Qty
1		Bracket, Mounting	
	A052N209	UC22D, F, G & all UC27 that are not Winding 06	1
	A052N205	UC22E, Winding 311 & Winding 17	1
	A052N201	Single Phase Options (UC22 & UC27 with Winding 06)	1
2	0821-6002-08	Screw, Hex Head	4
3	0332-1794	Tie, Cable	2
4	0332-1389	Tie, Cable	1
5	0898-1389	Sleeve, Braided	1

AC Harness



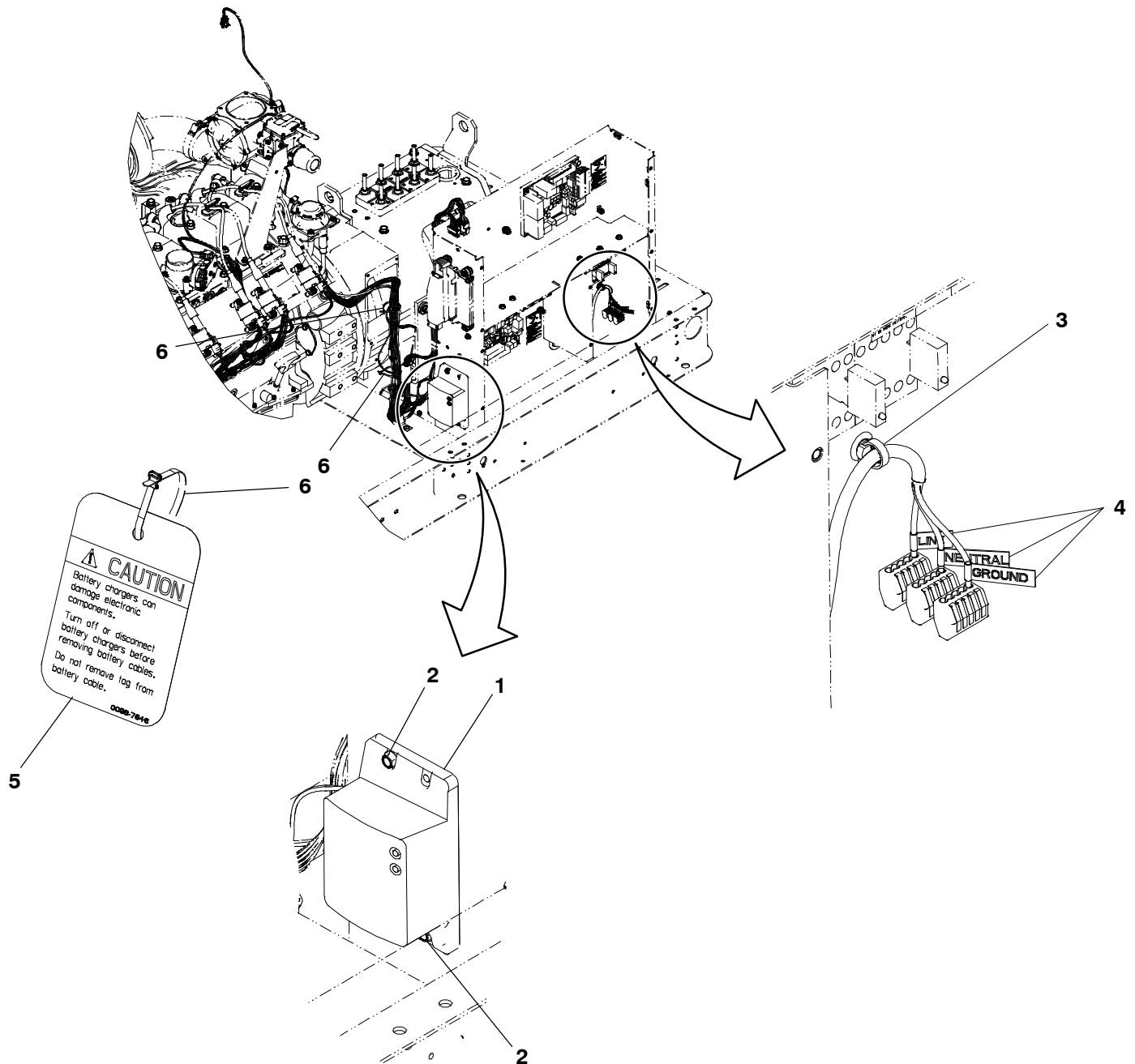
Item	Part No.	Description	Qty
1	A048C835	Harness, Alternating Current	1
2	0332-1794	Tie, Cable	1

Engine Harness



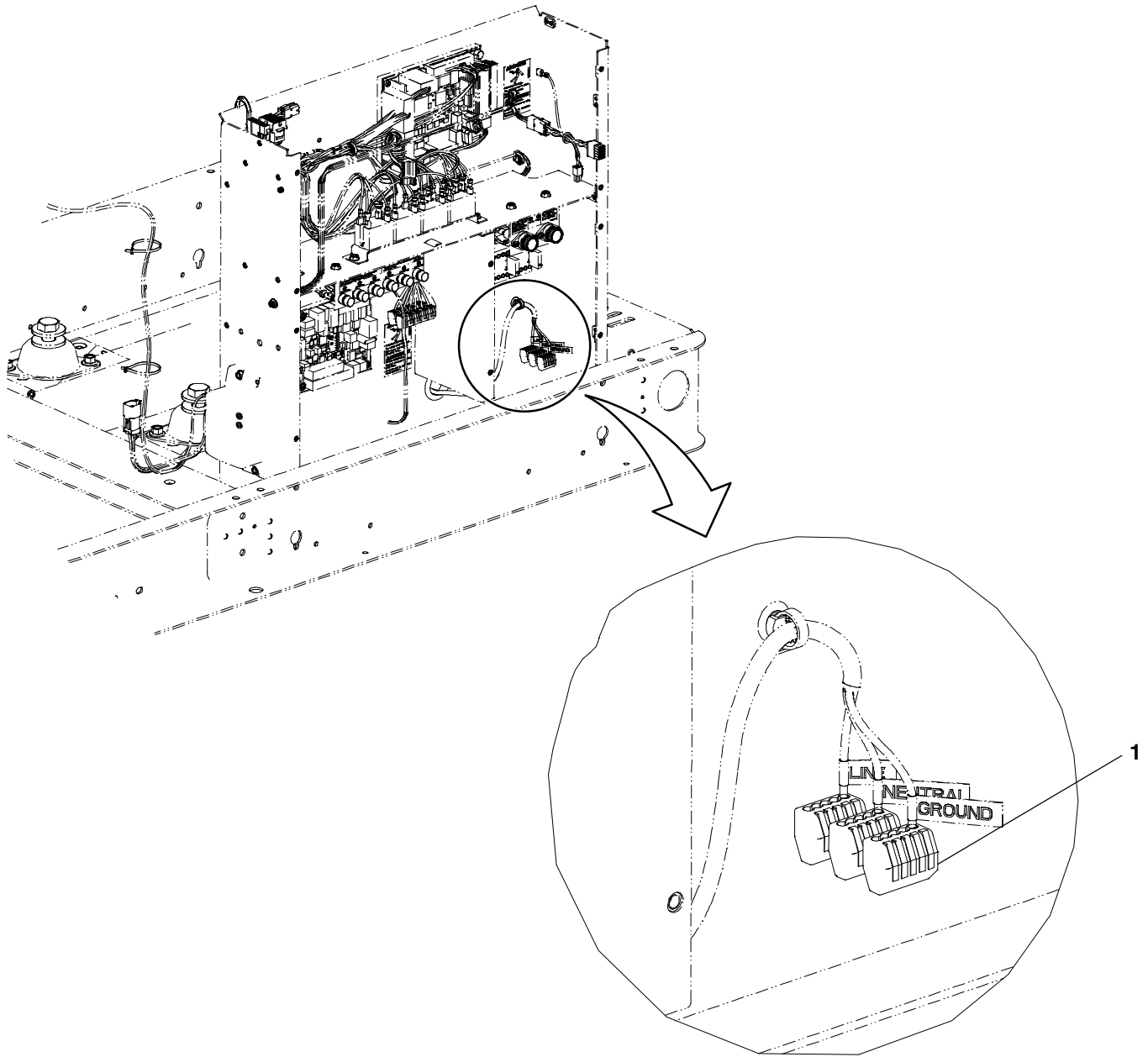
Item	Part No.	Description	Qty
1	A053T310	Harness, Engine	1
2	0518-0703	Clamp	1
3	0821-6003-01	Screw, Hex Head	1
4	A042N860	Tie, Cable	6
5	0332-2921	Clamp, J	1
6	0526-2140	Washer, Flat	1
7	0800-2111	Screw, Hex Head	1

Battery Charger



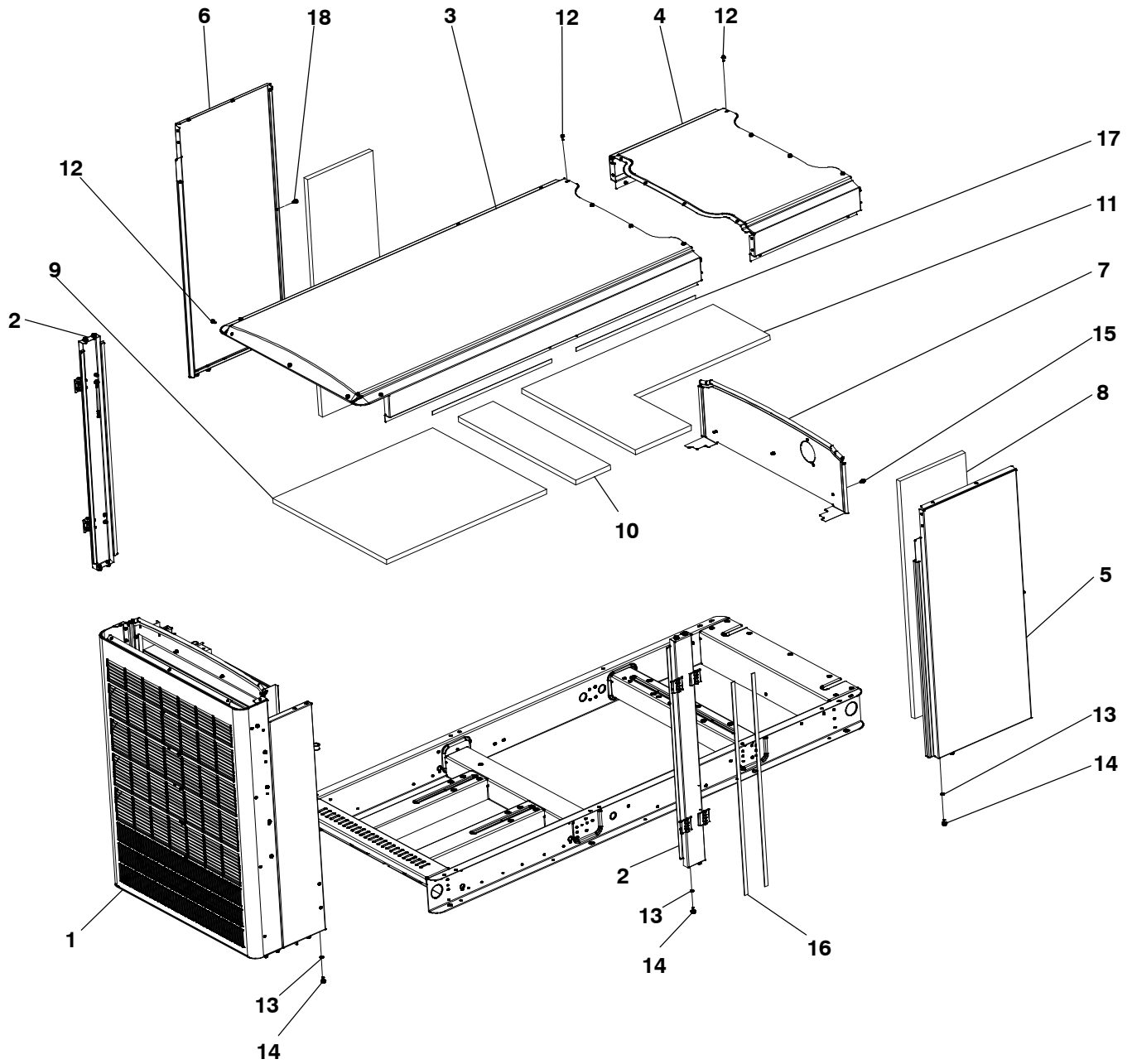
Item	Part No.	Description	Qty
1	A056L369	Charger, Battery (6 Amp)	1
2	0815-0857-03	Screw, Hex Head	2
3	A044D694	Tie, Cable	1
4	A046G477	Label, Marking	1
5	0098-7646	Tag, Battery	1
6	0332-1794	Tie, Cable	5

Terminal Block



Item	Part No.	Description	Qty
1	A046D267	Connector, Terminal Block	3

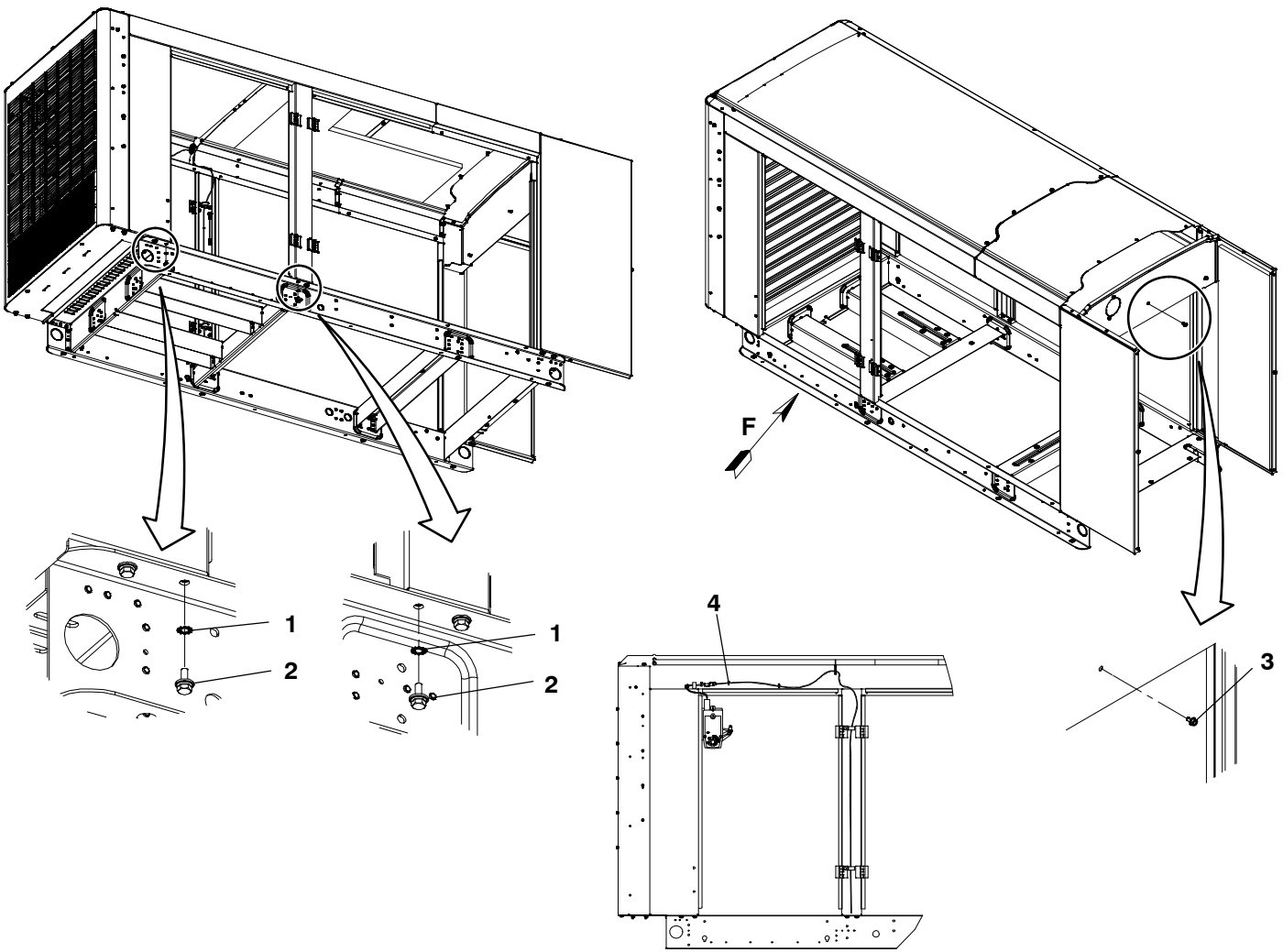
Enclosure (Winterized Units) (Illustration #1)



Enclosure (Winterized Units) (Illustration #1)

Item	Part No.	Description	Qty
1		Installation, Louvers (See Page 157 for Components)	1
2	A062J944	Post, Enclosure	2
3	A061G446	Roof, Enclosure	1
4	A061G448	Roof, Enclosure	1
5	A052M820	Panel, Enclosure	1
6	A052M822	Panel, Enclosure	1
7	A052K469	Panel, Bulkhead	1
8	A048M651	Insulation, Panel	2
9	A047Z339	Insulation, Panel	1
10	A062K949	Insulation, Panel	1
11	A048K751	Insulation, Panel	1
12	A050P483	Screw, Hex Flange Head	21
13	0853-2008	Washer, Lock	16
14	0821-6003-01	Screw, Hex Head	16
15	A045Z943	Screw, Hex Flange Head	3
16	A049H454	Seal, Door	4
17	A049H452	Seal, Door	4
18	A046T081	Screw, Shoulder	2

Enclosure (Winterized Units) (Illustration #2)

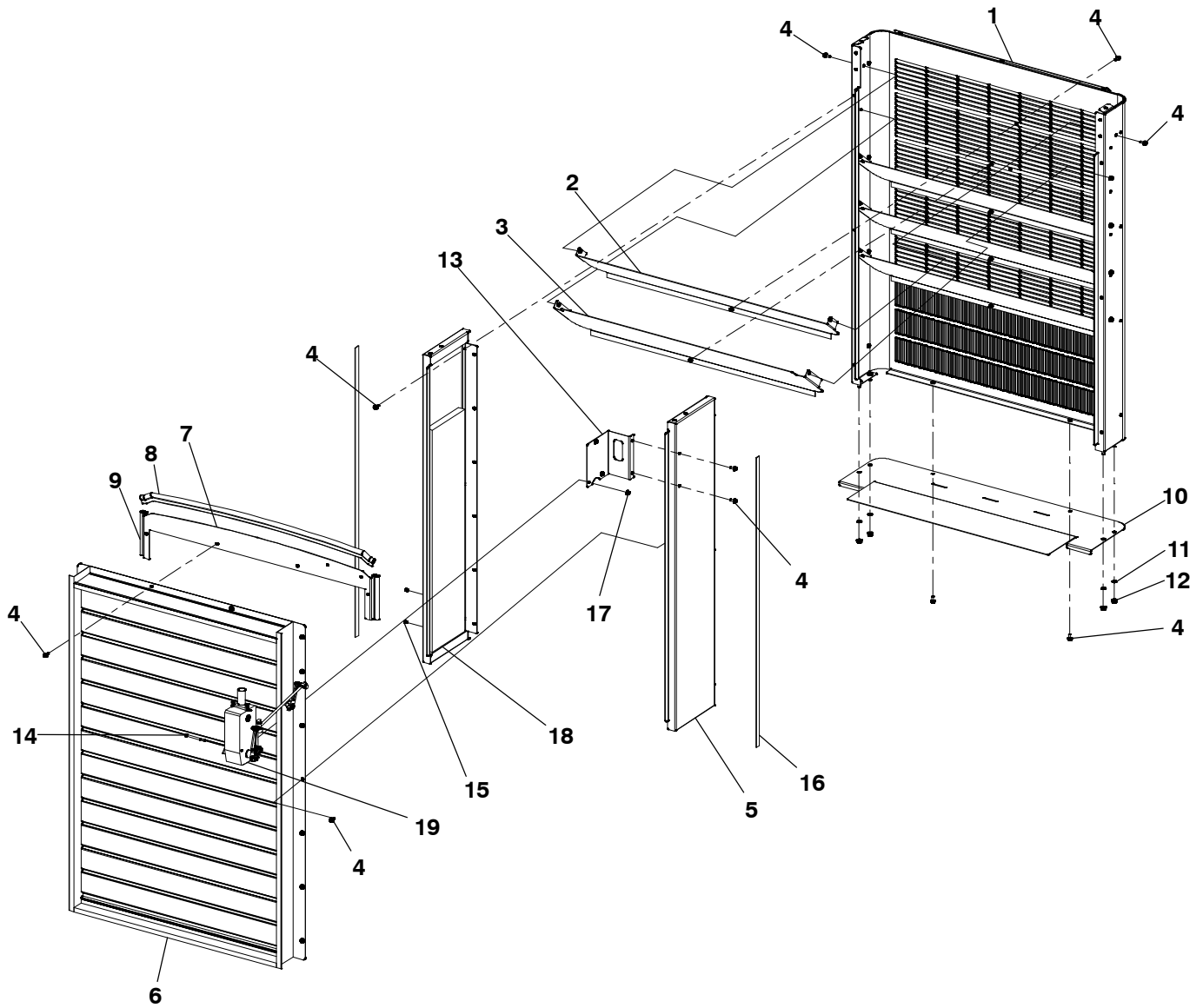


View in Direction of Arrow 'F'

Item	Part No.	Description	Qty
1	0853-2008	Washer, Lock	16
2	0821-6003-01	Screw, Hex Head	16
3	A045Z943	Screw, Hex Flange Head	3
4	0332-0942	Tie, Cable	4

This page is Intentionally blank.

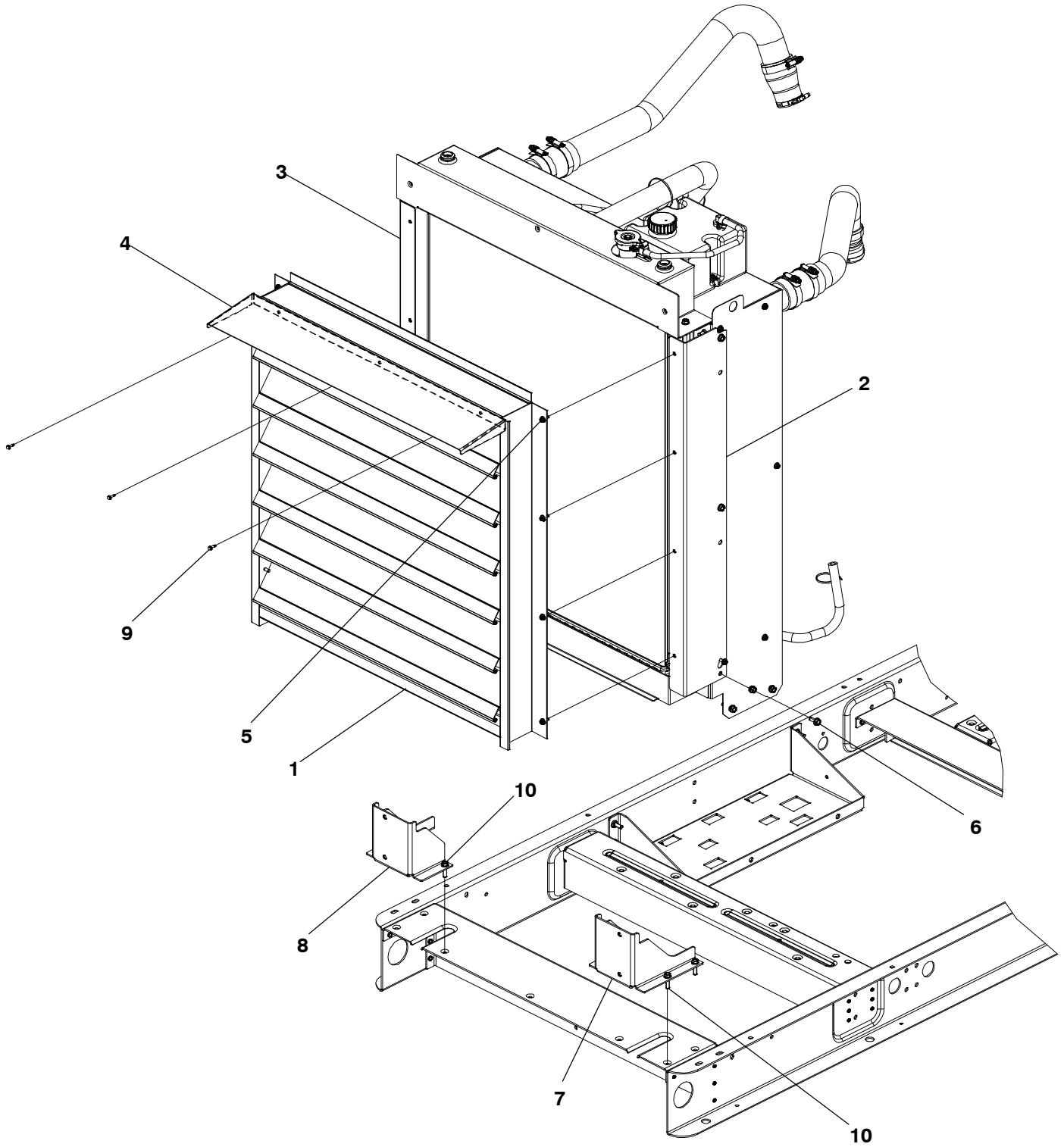
Louver (Winterized Units)



Louver (Winterized Units)

Item	Part No.	Description	Qty
1	A060V266	Cover, Air Inlet	1
2	A060U863	Louver, Enclosure	1
3	A048M825	Louver, Enclosure	4
4	A050P483	Screw, Hex Flange Head	41
5	A060T422	Panel, Enclosure	2
6	A060Y995	Louver, Enclosure	1
7	A060U494	Panel, Bulkhead	1
8	A061D920	Seal, Edge	1
9	A061D918	Seal, Edge	2
10	A060V582	Member, Support	1
11	0853-2008	Washer, Lock	4
12	0870-2065-03	Nut, Hex Flange	4
13	A061C565	Bracet, Actuator	1
14	0800-2044	Screw, Hex Head	3
15	0517-0131-03	Plug, Hole	2
16	A049H454	Seal, Door	2
17	0870-2065-02	Nut, Hex Flange	3
18	A062K949	Insulation, Panel	2
19	A062L351	Kit, Generator Louver Fastener (Includes Parts Marked *)	1
	A062H493	* Actuator	1
	A062H524	* Lever, Actuator	1
	A062H520	* Joint, Ball	1
	A062H516	* Joint, Ball	1
	A062H522	* Rod, Actuator	1

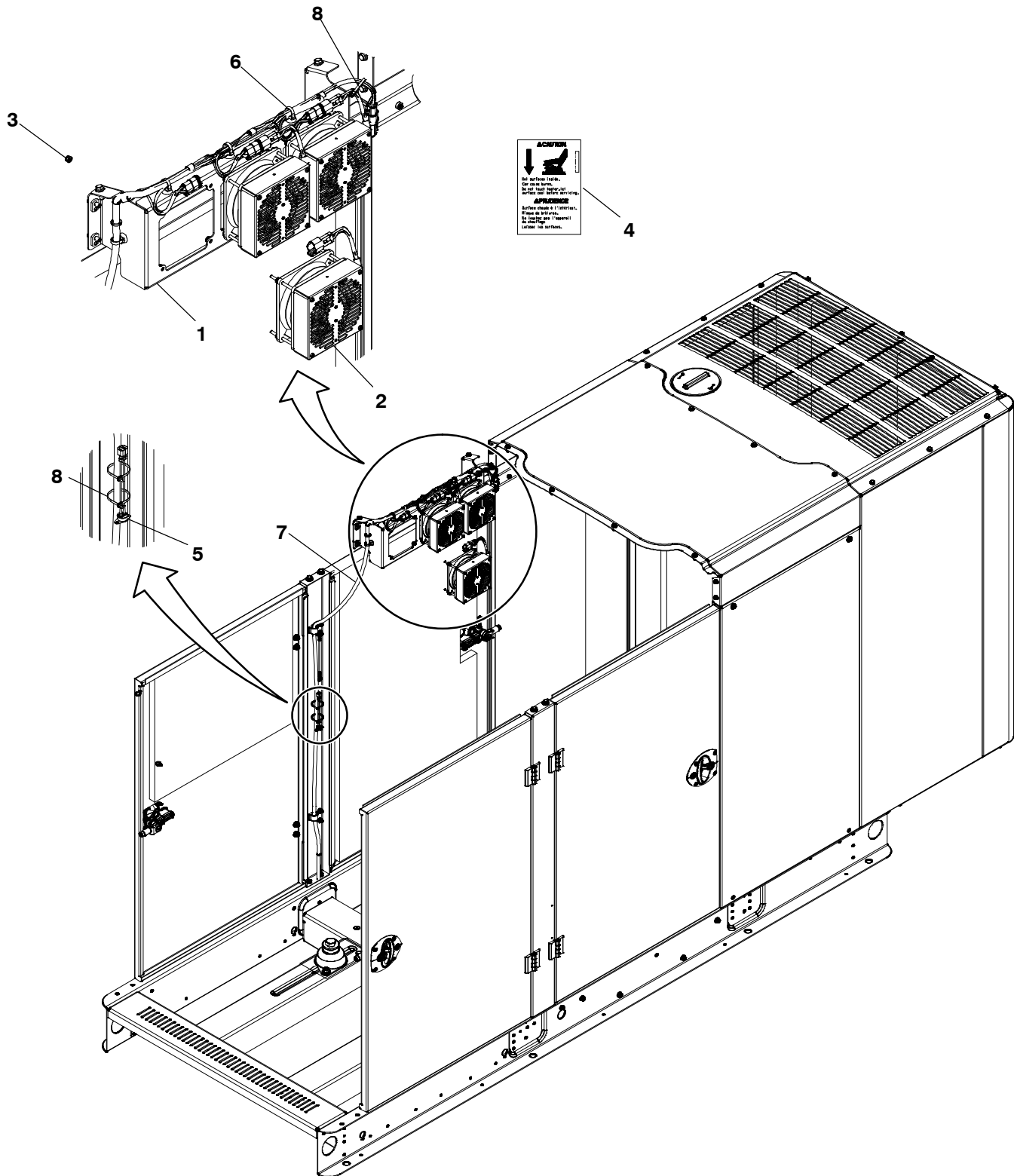
Louver - Radiator (Winterized Units)



Louver – Radiator (Winterized Units)

Item	Part No.	Description	Qty
1	A060V997	Louver, Enclosure	1
2	A061D075	Bracket, Mounting	1
3	A061D274	Bracket, Mounting	1
4	A061D277	Shield, Rain	1
5	0815-0857-02	Screw, Hex Flange Head	8
6	0815-0829-06	Screw, Thread Forming	6
7	A060P383	Bracket, Silencer	1
8	A060P388	Bracket, Silencer	1
9	0800-6294	Screw, Hex Flange Head	3
10	0815-0781	Screw, Thread Forming	6

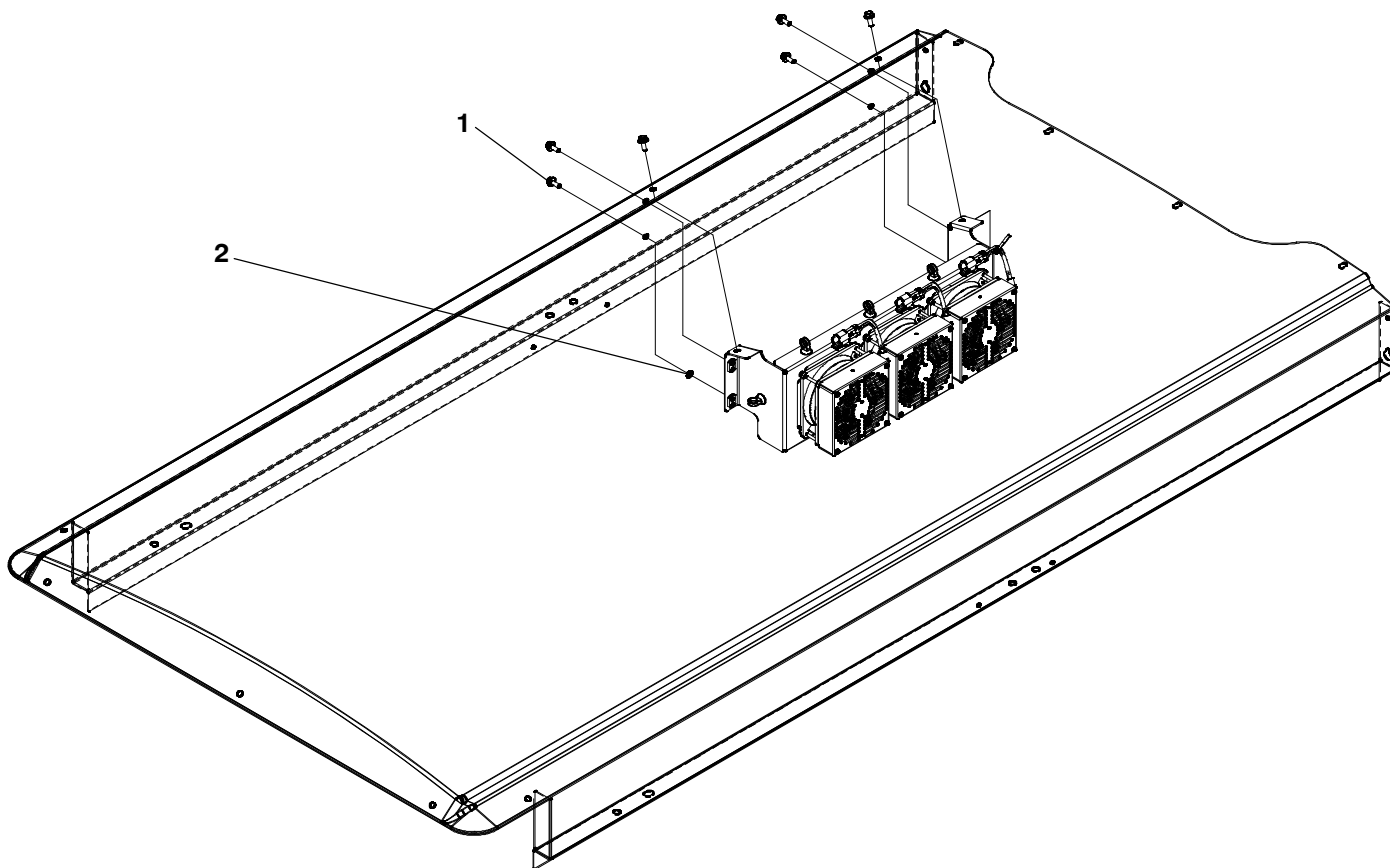
Heater (Winterized Units) (Illustration #1)



Heater (Winterized Units) (Illustration #1)

Item	Part No.	Description	Qty
1	A063D834	Bracket, Mounting	1
2	A063B833	Heater, Generator	3
3	0870-0235	Nut, Lock	12
4	A062X982	Label, Caution	1
5	A061E732	Switch, Thermostat	1
6	A044D694	Tie, Cable	4
7	A063F589	Harness, Power	1
8	0332-1794	Tie, Cable	3

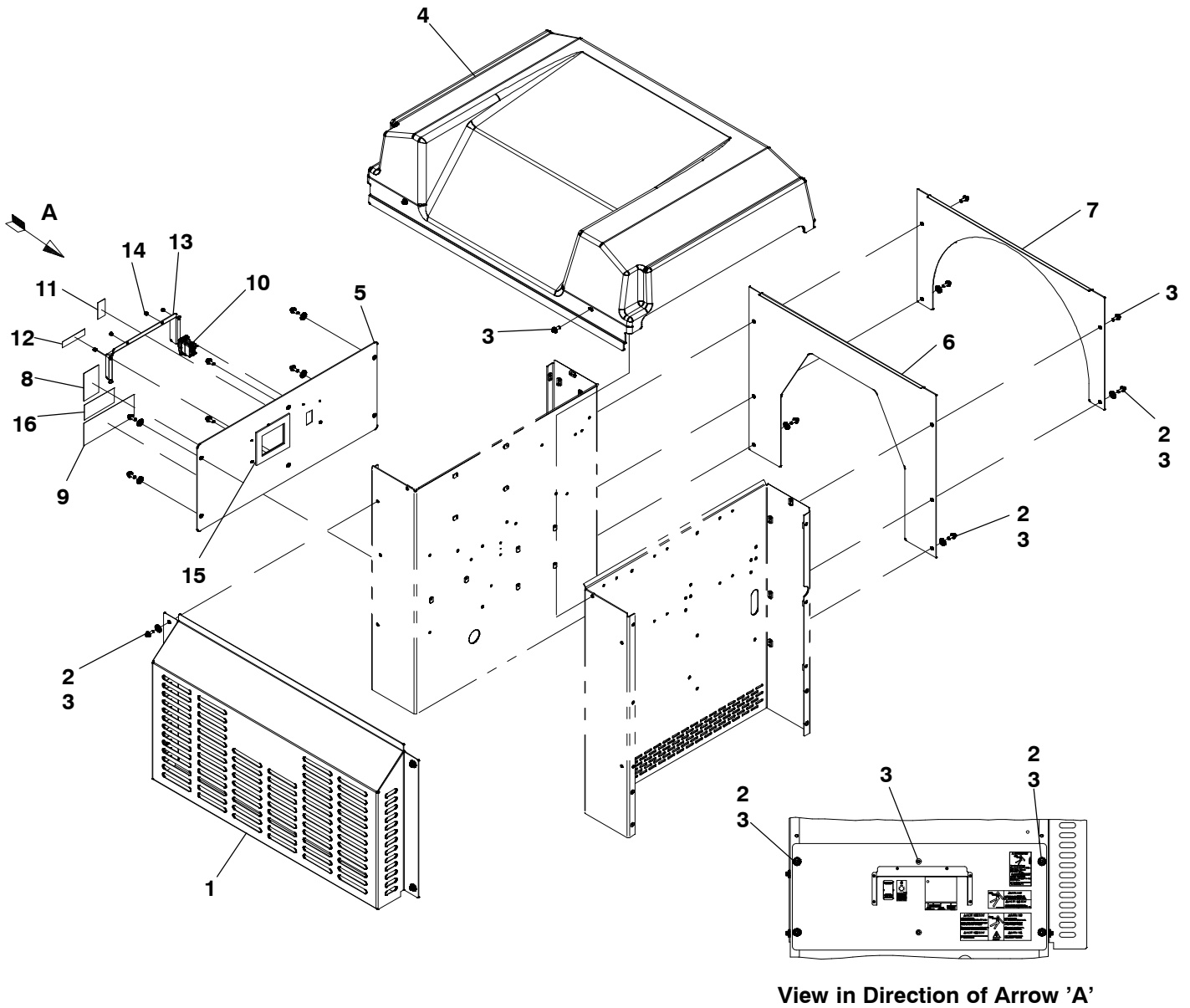
Heater (Winterized Units) (Illustration #2)



Item	Part No.	Description	Qty
1	A050P483	Screw, Hex Flange Head	6
2	0853-2006	Washer, Lock	1

This page is Intentionally blank.

Control Housing (Winterized Units)

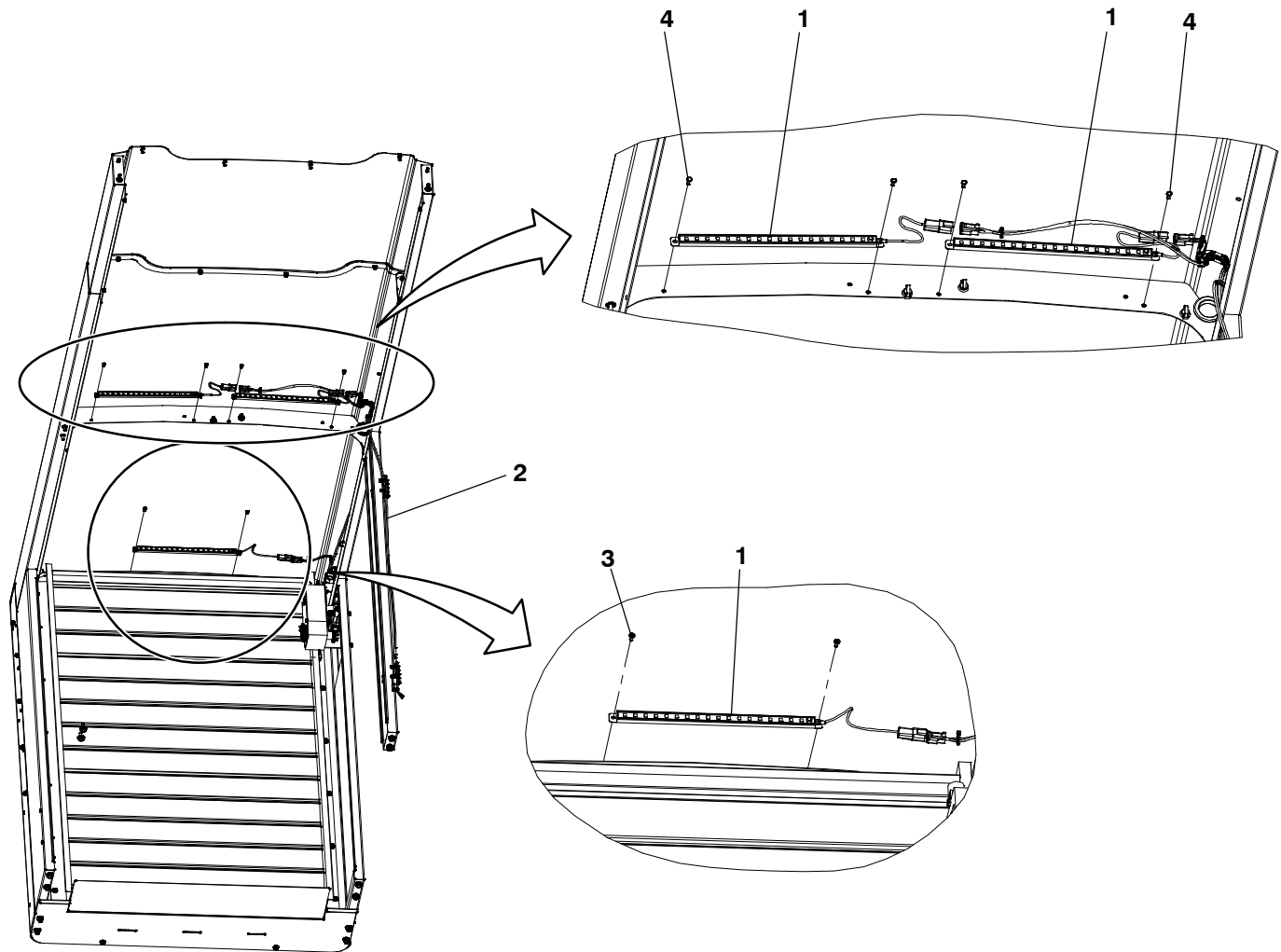


View in Direction of Arrow 'A'

Control Housing (Winterized Units)

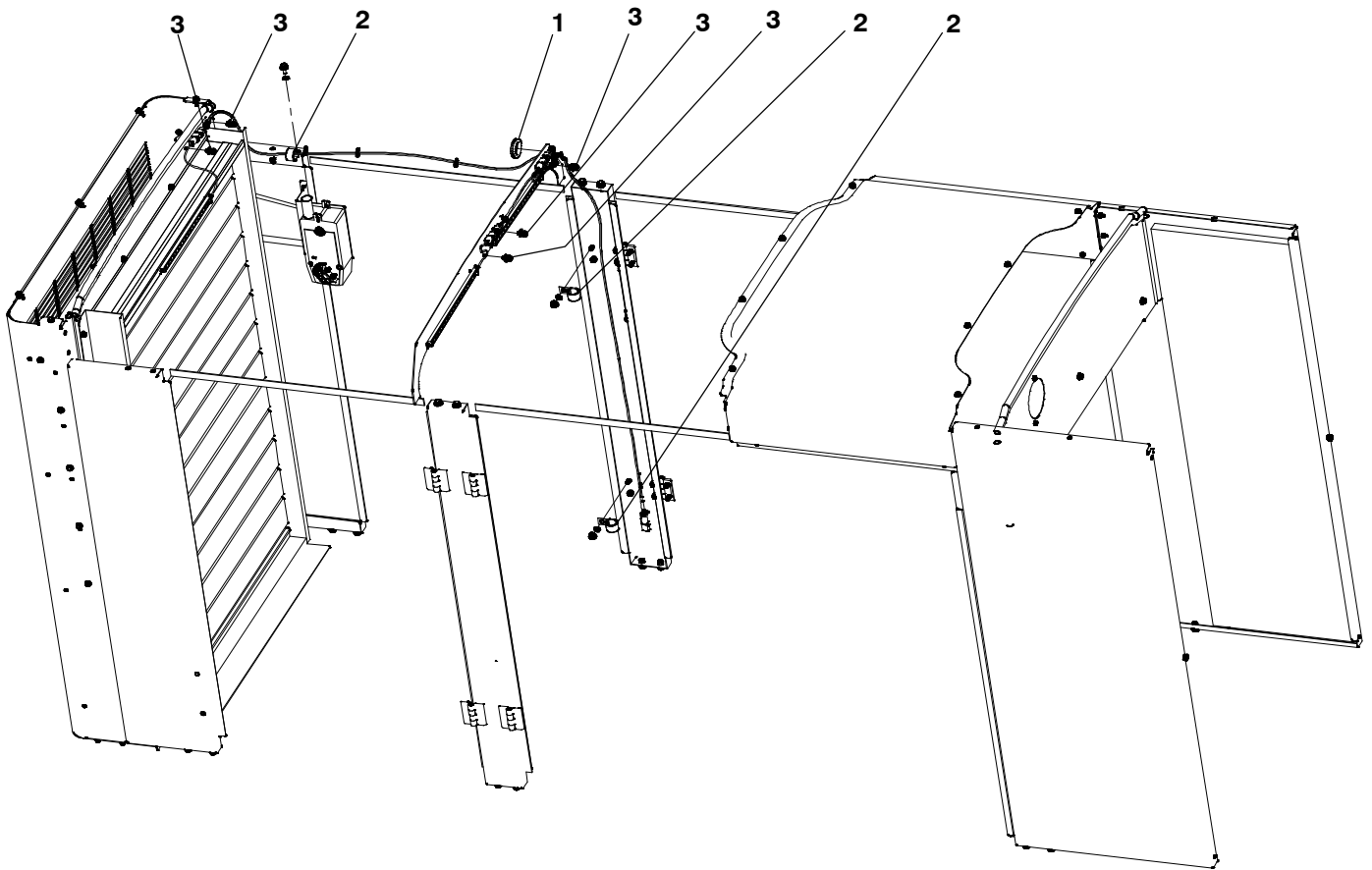
Item	Part No.	Description	Qty
1	A051C812	Guard, Alternator	1
2		Washer, Lock	
	0856-0006	Long Stack Length	10
	0856-0006	Short Stack Length	12
3		Screw, Hex Head	
	0815-0857-02	Long Stack Length	18
	0815-0857-02	Short Stack Length	20
4	A051C650	Cover, Terminal Enclosure	1
5	A060U968	Panel, Control Box	1
6	A051A292	Panel, Guard (Short Stack Length)	1
7	A051A290	Panel, Guard (Long Stack Length)	1
8	A048G965	Label, Warning	1
9	A044F254	Label, Warning	1
10	0308-1038	Switch, Rocker	1
11	A061F251	Label, Instruction	1
12	A061F249	Label, Instruction	1
13	A061F525	Cover, Switch	1
14	0818-0237-01	Rivet, Pop	6
15	A062L589	Gasket, Circuit Breaker Box	1
16	A062Y572	Label, Warning	1

Enclosure Lamp (Winterized Units) (Illustration #1)



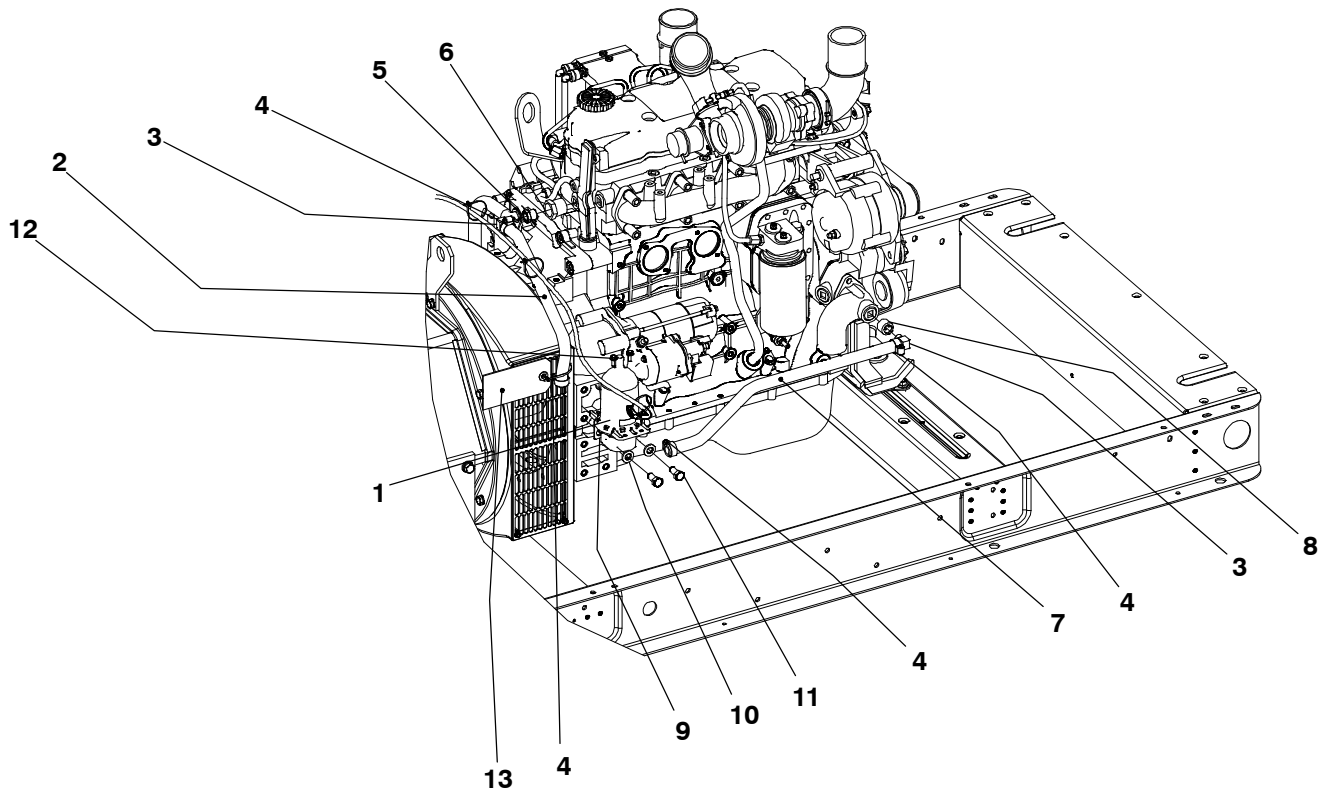
Item	Part No.	Description	Qty
1	A060Z167	Light, Panel	3
2	A061E916	Harness, Interface	1
3	0815-0960-04	Screw, Pan Head	2
4	0800-3042	Screw, Hex Head	4

Enclosure Lamp (Winterized Units) (Illustration #2)



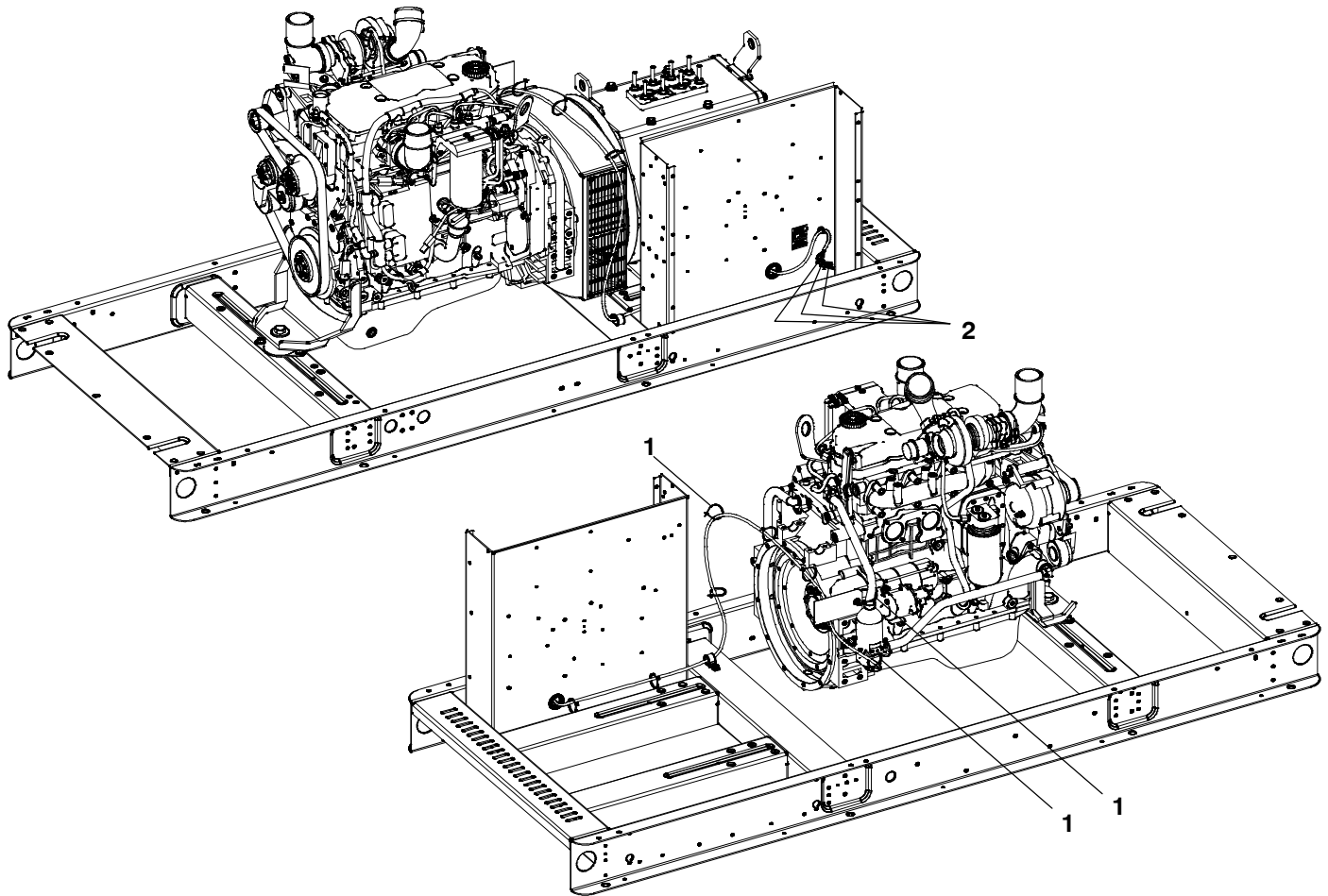
Item	Part No.	Description	Qty
1	A049H744	Grommet	1
2	0332-2634	Clamp, J	3
3	A044D694	Tie, Cable	5

Coolant Heater (Winterized Units) (Illustration #1)



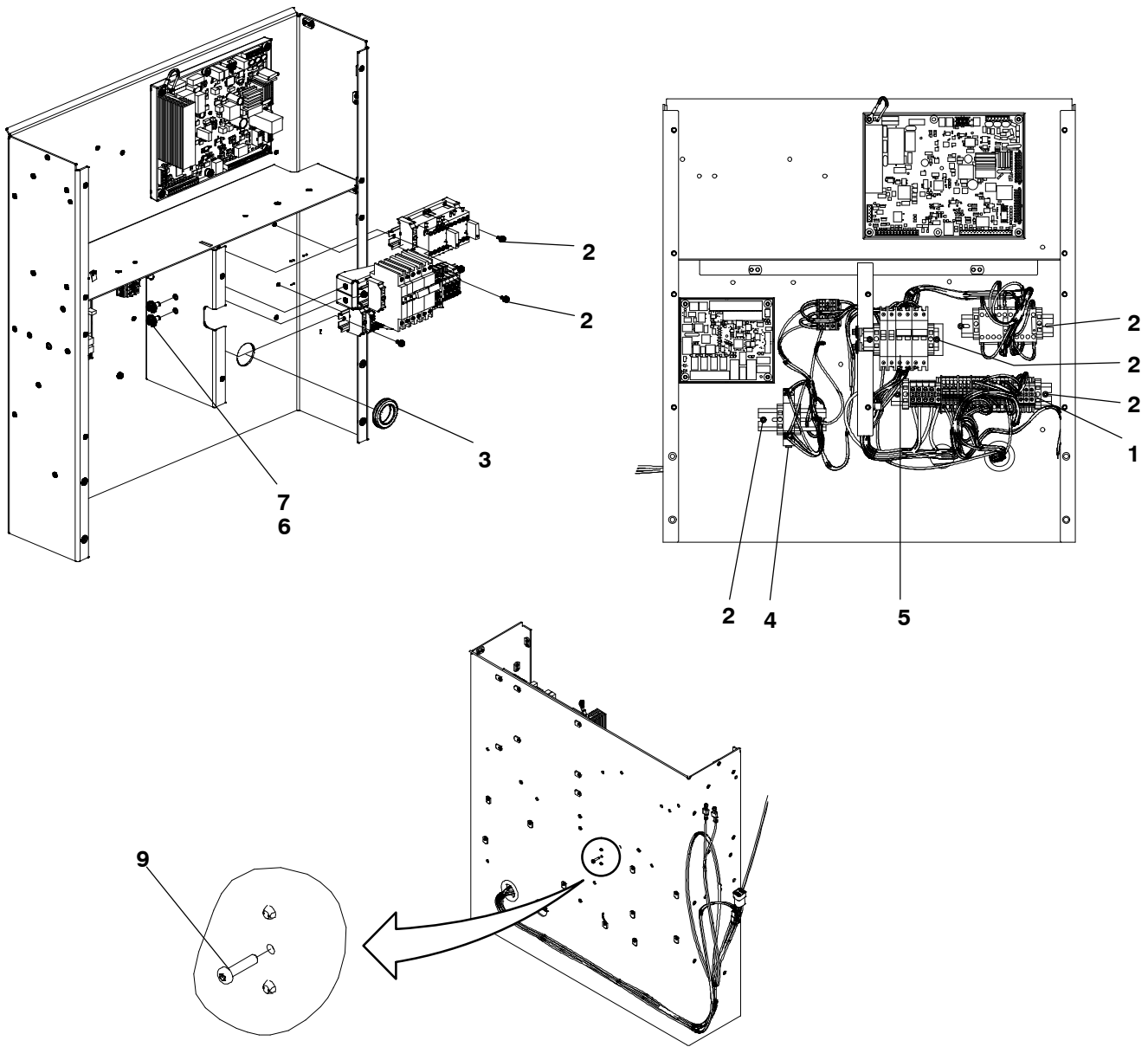
Item	Part No.	Description	Qty
1	A050M046	Heater, Coolant	1
2	0503-2791-06	Hose, Coolant	1
3	0502-0942	Elbow, Hose	2
4	0503-1135	Clamp	4
5	0505-0019	Bushing, Reducer	1
6	0505-0021	Bushing, Reducer	1
7	0503-2791-05	Hose, Coolant	1
8	0505-0131	Bushing, Reducer	1
9	0333-0747-02	Bracket, Heater	1
10	0526-0219	Washer, Flat	2
11	0800-2111	Screw, Hex Head	2
12	0821-6002-03	Screw, Hex Head	2
13	0098-6030	Label, Warning	1

Coolant Heater (Winterized Units) (Illustration #2)



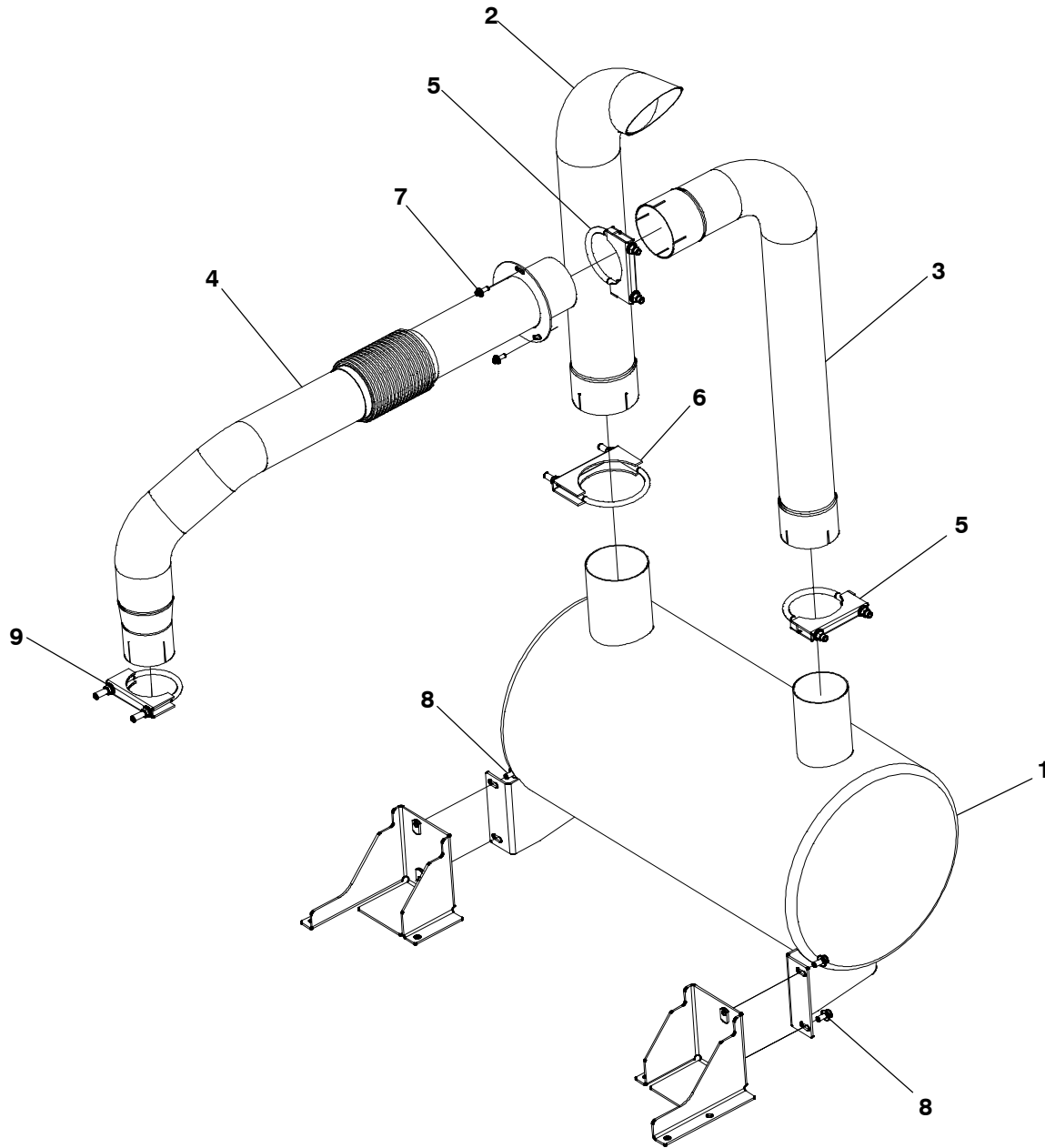
Item	Part No.	Description	Qty
1	0332-1794	Tie, Cable	8
2	A046G477	Label, Marker	1

Power Harness (Winterized Units)



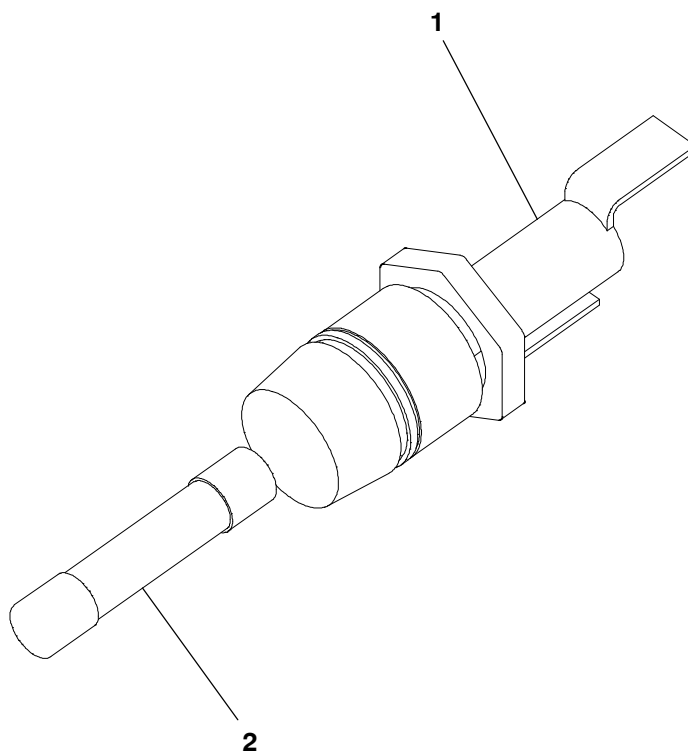
Item	Part No.	Description	Qty
1	A060X049	Harness, Power	1
2	0819-1165-02	Screw, Pan Head	8
3	A049H744	Grommet	1
4	A060X063	Tie, Cable	1
5	A061B553	Member, Support	1
6	0856-0006	Washer, Lock	2
7	0815-0857-02	Screw, Hex Head	2
8	0332-1794	Tie, Cable (Not Shown)	10
9	A043E872	Screw, Pan Head	11

Silencer (Winterized Units)



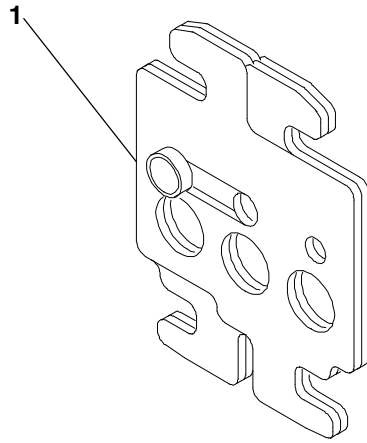
Item	Part No.	Description	Qty
1	A050B660	Silencer	1
2	A046D850	Pipe, Exhaust	1
3	A060P582	Pipe, Exhaust	1
4	A052W978	Pipe, Exhaust	1
5	A047W504	Clamp, Exhaust	2
6	0155-2305	Clamp, Exhaust	1
7	0815-0857-02	Screw, Hex Head	2
8	0800-6524-01	Screw, Hex Flange Head	4
9	0155-2175	Clamp, Exhaust	1

Fuse Accessory



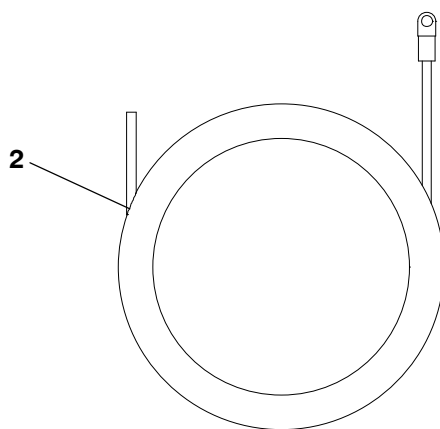
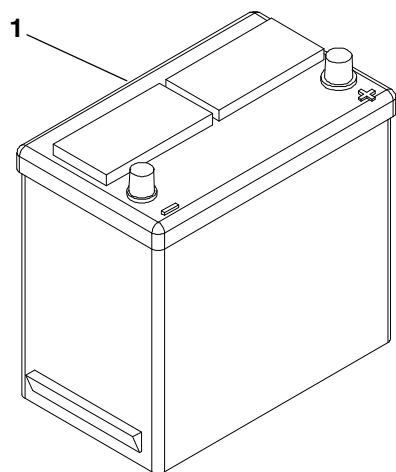
Item	Part No.	Description	Qty
1	0321-0175	Holder, Fuse	1
2	0321-0372-06	Fuse, Cartridge (15A)	1

Plate Lock



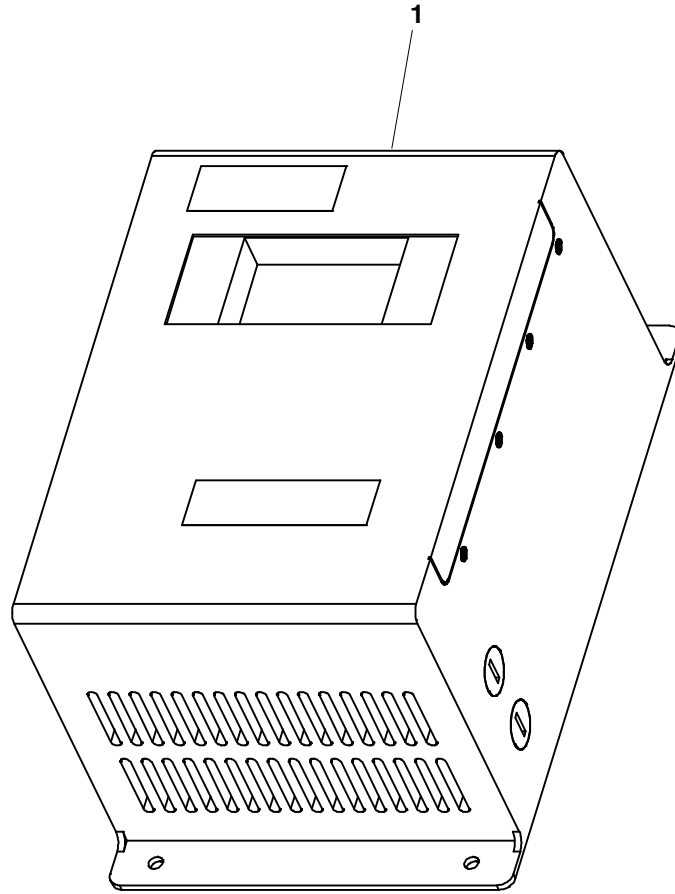
Item	Part No.	Description	Qty
1	0406-1234	Lock Out – Circuit Breaker (H, J, L Breakers)	1

Battery



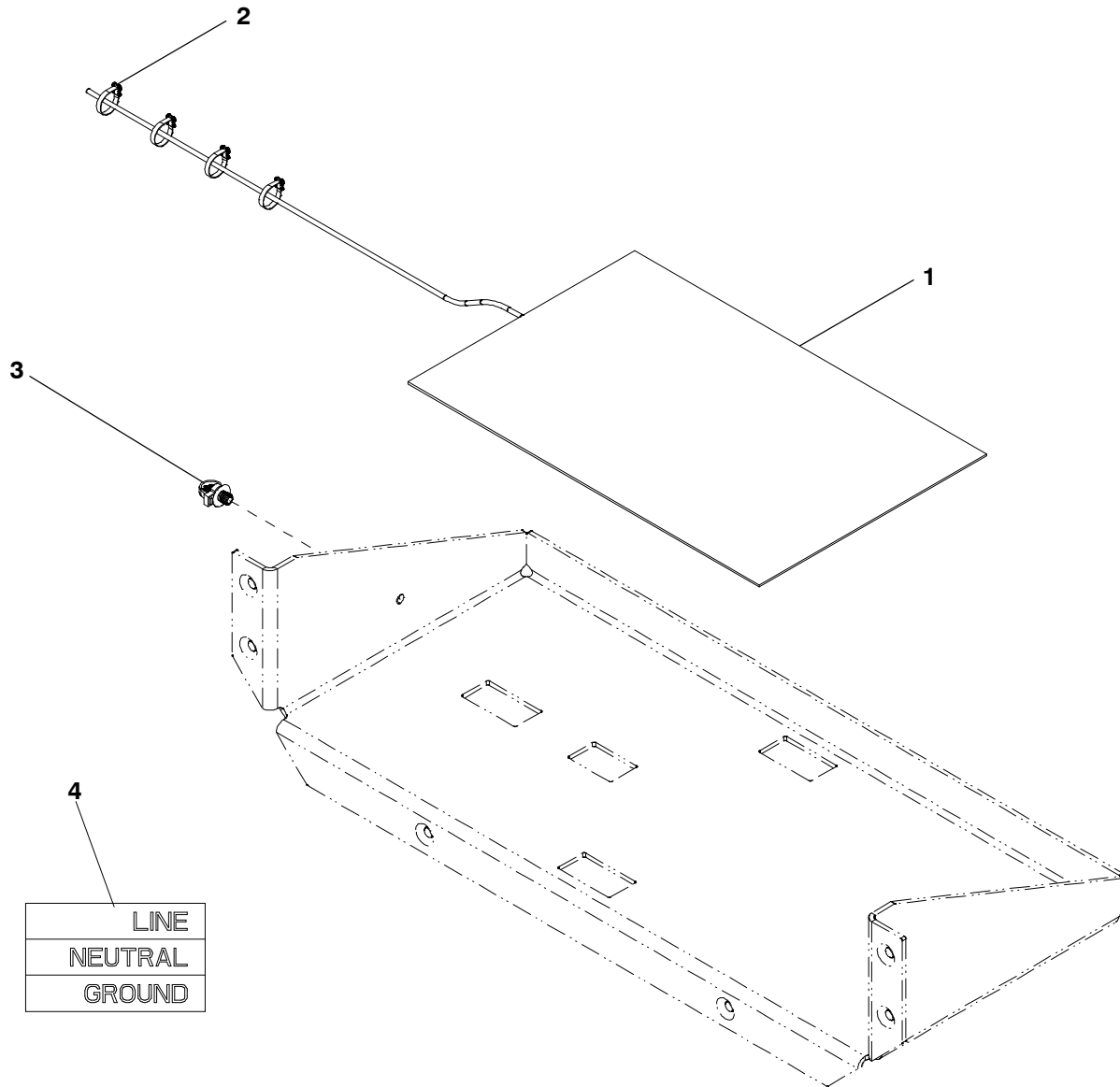
Item	Part No.	Description	Qty
1	A045P632	Battery – 850 Cold Cranking Amps	1
2	A043D534	Sensor, Temperature – Battery	1

Battery Charger Kit



Item	Part No.	Description	Qty
1	A048G602	Charger, Battery	

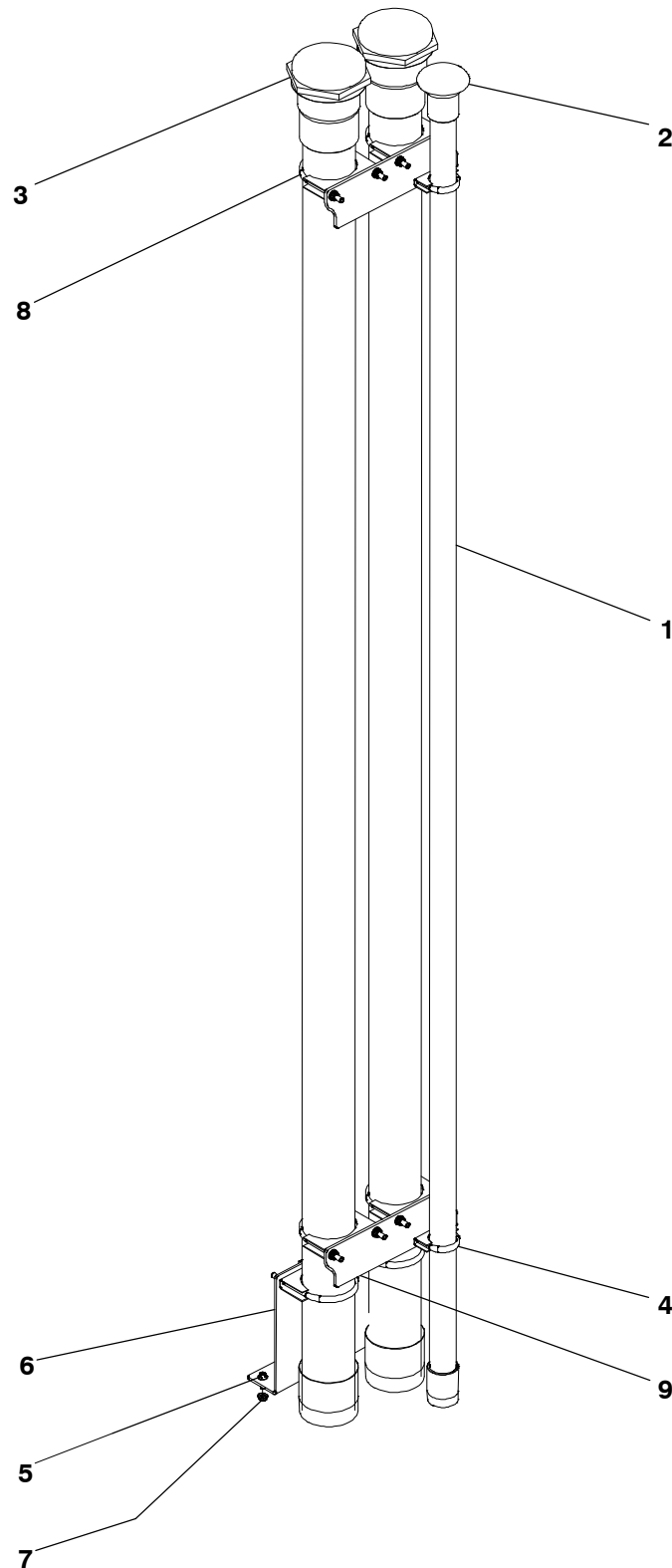
Battery Heater Kit



Item	Part No.	Description	Qty
1	A051B653	Heater, Battery	1
2	0332-1794	Tie, Cable	4
3	A044D694	Tie, Cable	1
4	A046G477	Label, Marking	1

This page is Intentionally blank.

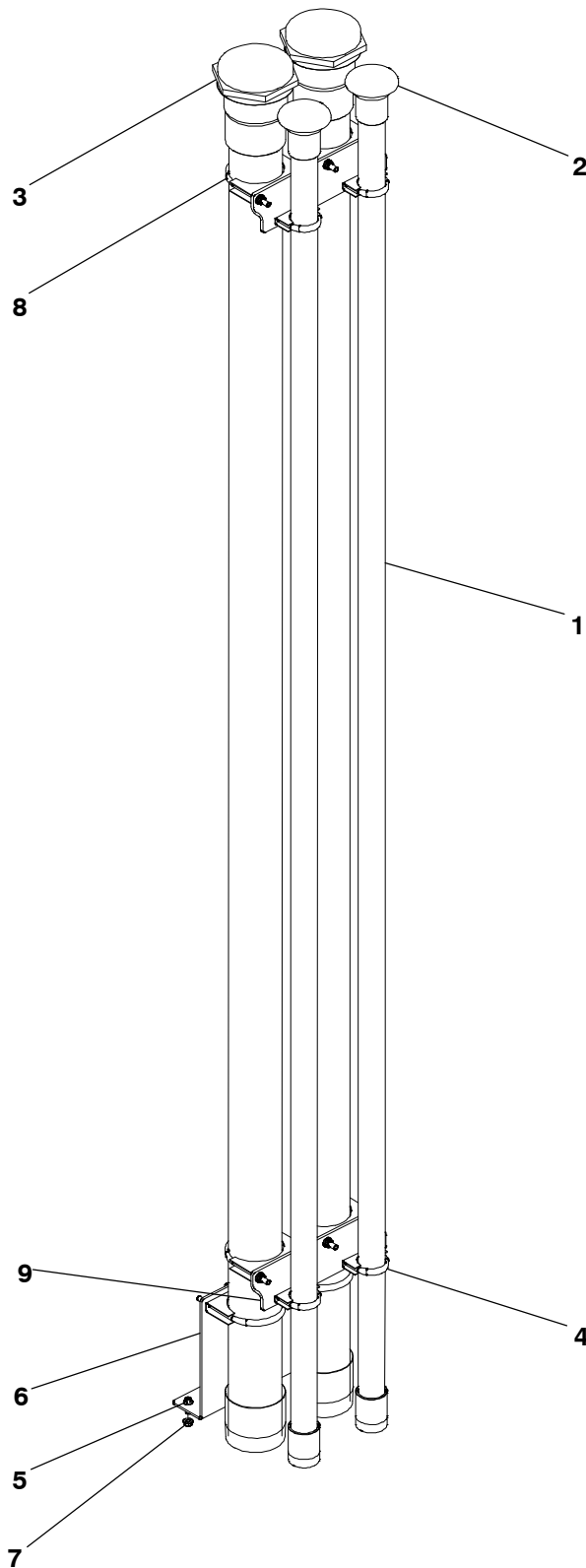
Fuel System Kit – Vent Extensions – 10 Foot, 4 Inch Diameter (Shipped Loose)



Fuel System Kit – Vent Extensions – 10 Foot, 4 Inch Diameter (Shipped Loose)

Item	Part No.	Description	Qty
1	A050C252	Kit, Tank Vent	1
2	0159-1371-03	Cap, Vent	1
3	A047K509	Vent, Fuel Tank	2
4	A047C748	Clamp, U Bolt	2
5	A029H218	Screw, Hex Flange Head	4
6	A047A967	Bracket, Support	1
7	0870-2065-03	Nut, Hex Flange	4
8	A047C752	Clamp, U Bolt	6
9	A047B242	Bracket, Support	2

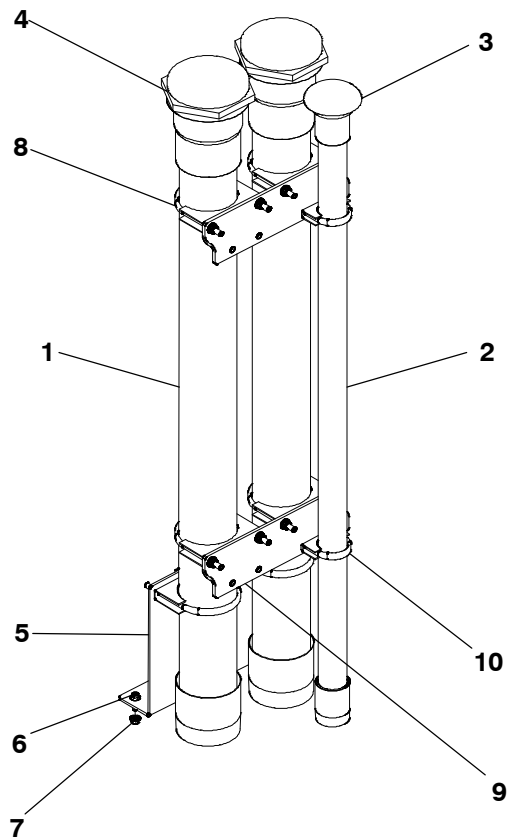
Fuel System Kit – Vent Extensions – 10 Foot, 4 Inch Diameter (Shipped Loose)



Fuel System Kit – Vent Extensions – 10 Foot, 4 Inch Diameter (Shipped Loose)

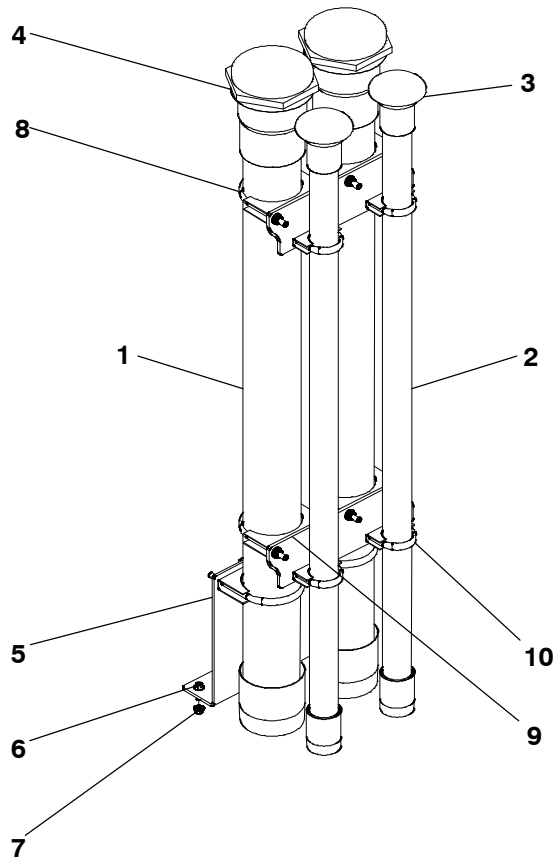
Item	Part No.	Description	Qty
1	A054C849	Kit, Tank Vent	1
2	0159-1371-03	Cap, Vent	2
3	A047K509	Vent, Fuel Tank	2
4	A047C748	Clamp, U Bolt	4
5	A029H218	Screw, Hex Flange Head	4
6	A047A967	Bracket, Support	1
7	0870-2065-03	Nut, Hex Flange	4
8	A047C752	Clamp, U Bolt	6
9	A047B242	Bracket, Support	2

Fuel System Kit



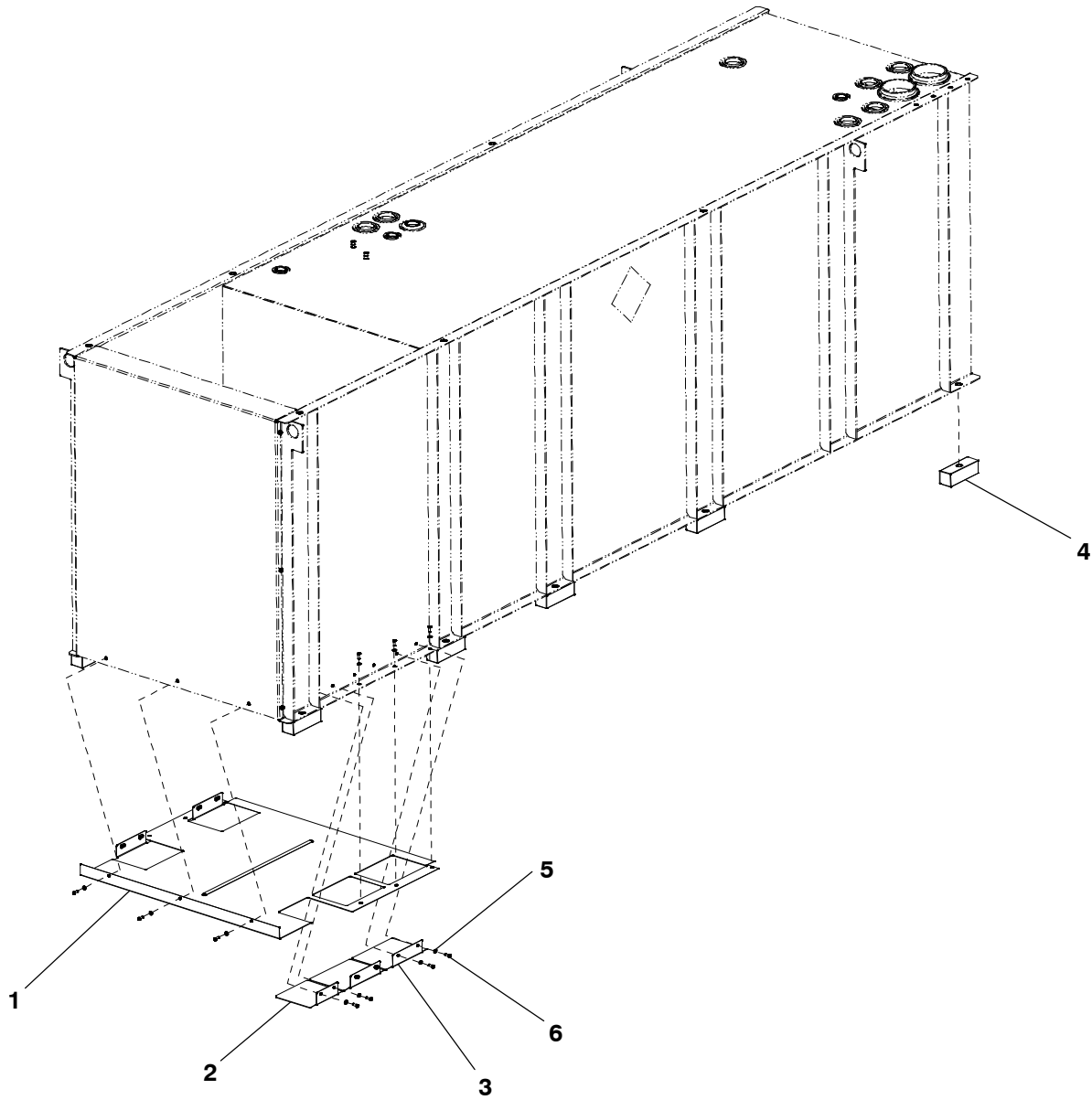
Item	Part No.	Description	Qty
	A061D888	Kit, Fuel System (Includes the Following Parts)	1
1	A061D821	Tube, Vent	2
2	A060M236	Tube, Vent	1
3	0159-1371-03	Cap, Vent	1
4	A047K509	Vent, Fuel Tank	2
5	A047A967	Bracket, Support	1
6	A029H218	Screw, Hex Flange Head	4
7	0870-2065-03	Nut, Hex Flange	4
8	A047C752	Clamp, U Bolt	6
9	A047B242	Bracket, Support	2
10	A047C748	Clamp, U Bolt	2

Fuel System Kit



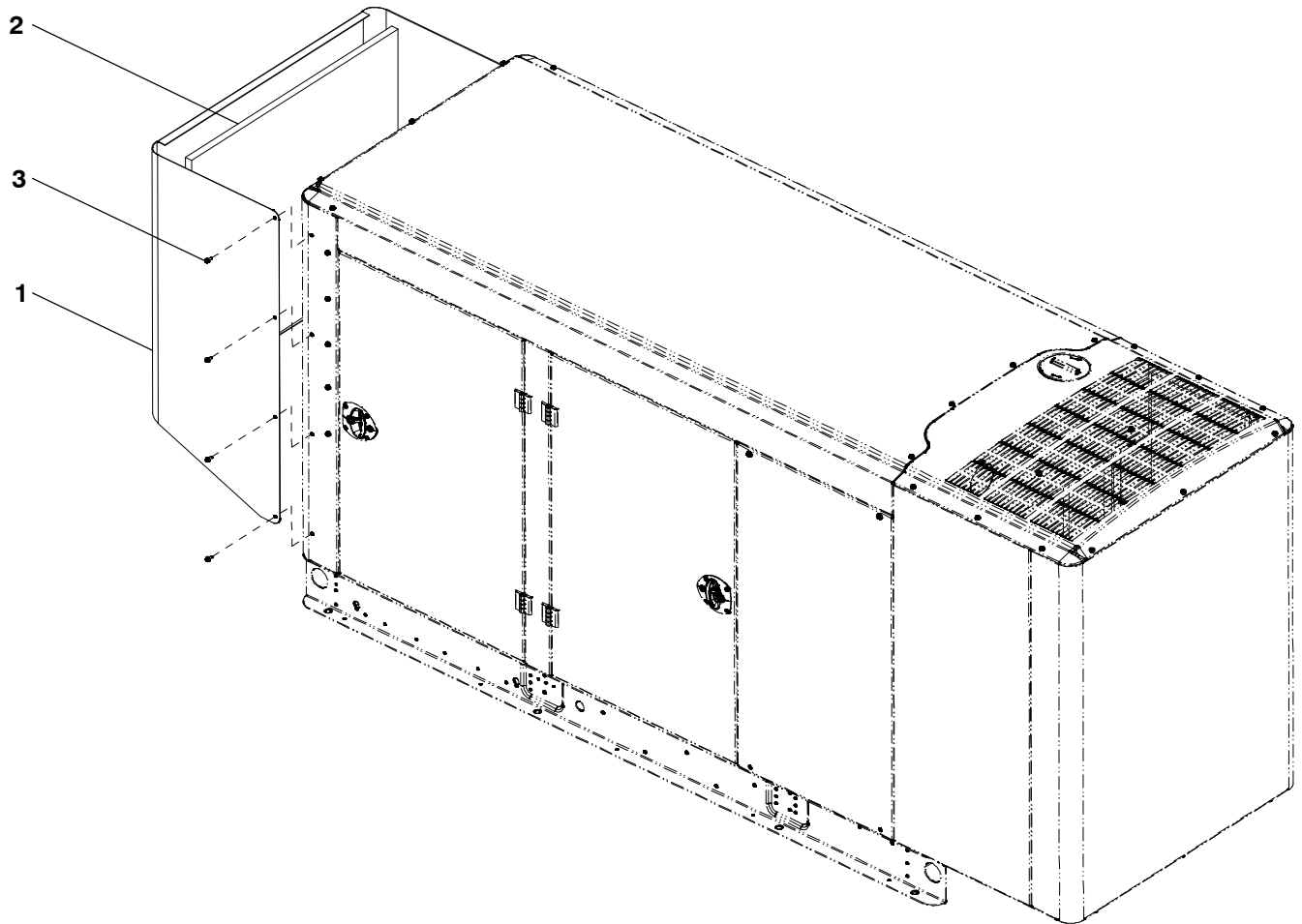
Item	Part No.	Description	Qty
	A061D898	Kit, Fuel System (Includes the Following Parts)	1
1	A061D821	Tube, Vent	2
2	A060M236	Tube, Vent	2
3	0159-1371-03	Cap, Vent	2
4	A047K509	Vent, Fuel Tank	2
5	A047A967	Bracket, Support	1
6	A029H218	Screw, Hex Flange Head	4
7	0870-2065-03	Nut, Hex Flange	4
8	A047C752	Clamp, U Bolt	6
9	A047B242	Bracket, Support	2
10	A047C748	Clamp, U Bolt	4

Fuel System Kit – Fuel Tank Risers (Shipped Loose)



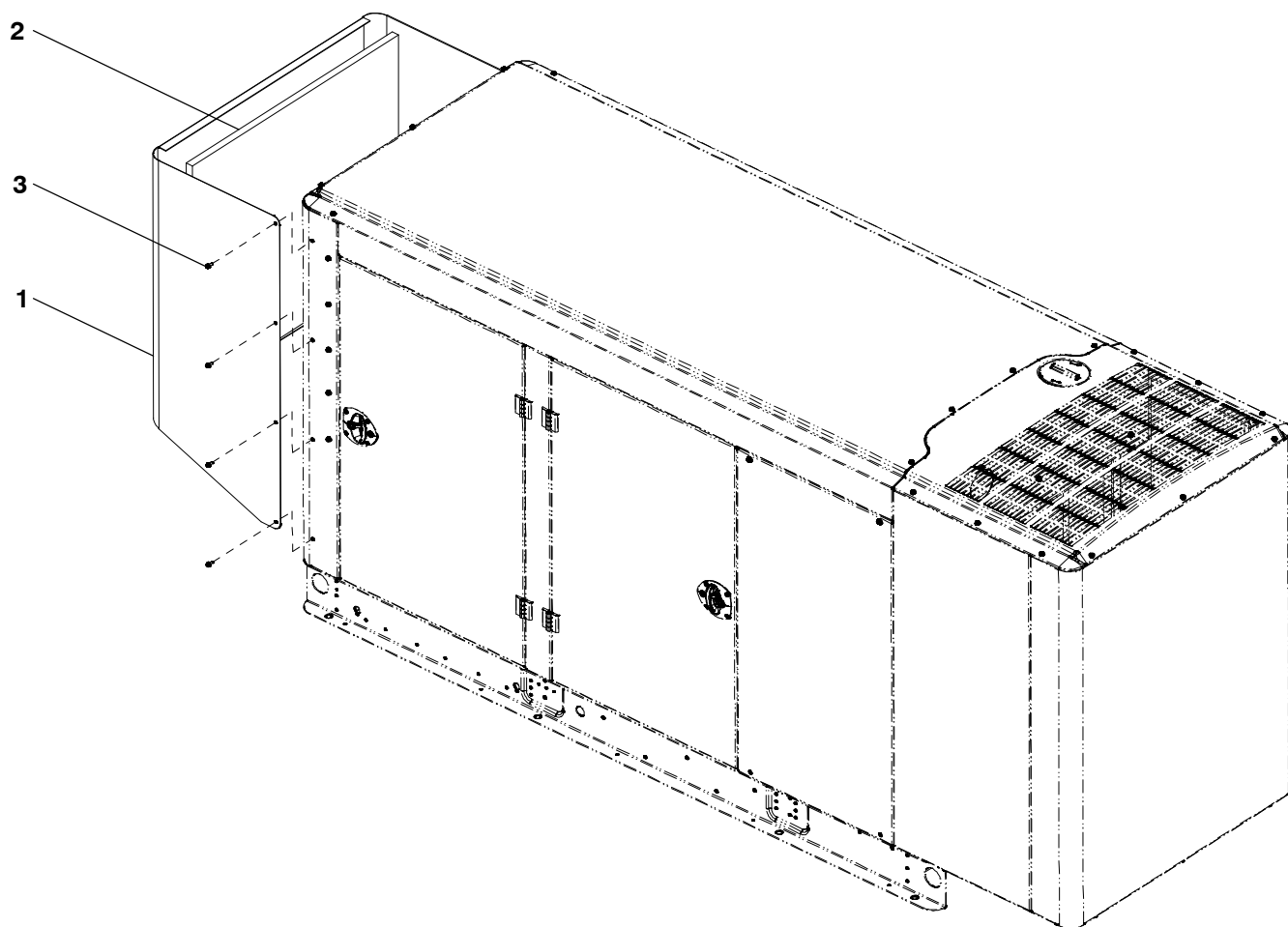
Item	Part No.	Description	Qty
1	A053X271	Base, Barrier	1
2	A050M202	Cover, Plate	1
3	A050M206	Cover, Plate	4
4	A046E208	Spacer, Foot	10
5	0526-2081	Washer, Flat	19
6	0800-2033	Screw, Hex Head	19

Enclosure Kit – Green



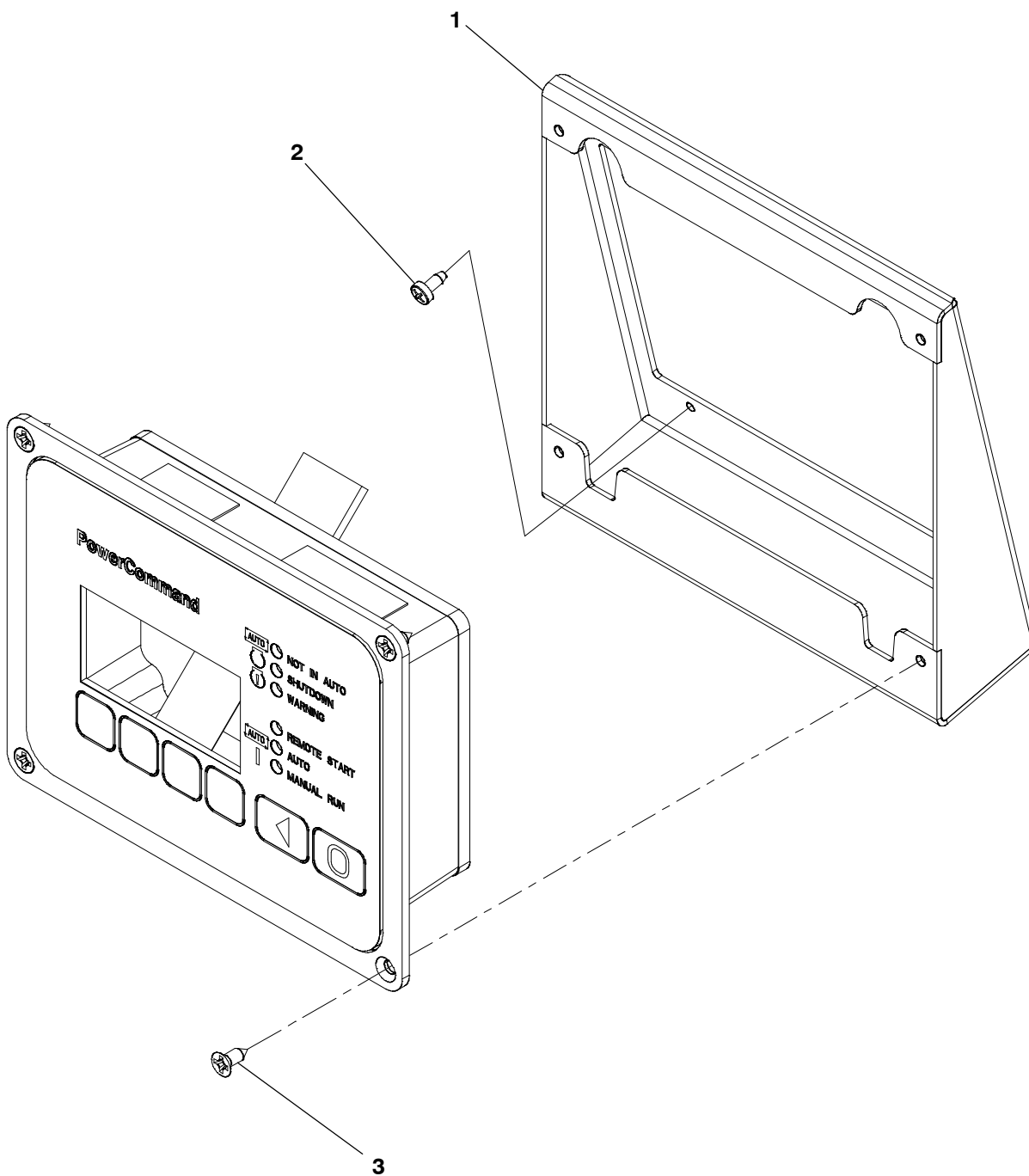
Item	Part No.	Description	Qty
1	A048C269	Duct, Inlet	1
2	A047Z339	Insulation, Panel	1
3	A050P483	Screw, Hex Flange Head	8

Enclosure Kit – Sandstone



Item	Part No.	Description	Qty
1	A052K399	Duct, Inlet	1
2	A047Z339	Insulation, Panel	1
3	A050P483	Screw, Hex Flange Head	8

Control Panel Kit



Item	Part No.	Description	Qty
1	A060H419	Bracket, Control Mounting	1
2	0815-0959-02	Screw, Pan Head	4
3	0814-2155-01	Screw, Flat Head	4

This page is Intentionally blank.

Remote HMI Display Kit (HMI 220)

Item	Part No.	Description	Qty
	A041J582	Kit, Remote HMI 220 (Includes the Following Parts)	1
1	0300-6314-03	Control, Genset	1
2	0323-2091	Connector, Plug	1
3	0323-2456	Connector, Plug	1
4	0323-2466	Contact, Socket	19

Audible Alarm Kit

Item	Part No.	Description	Qty
	A043F059	Kit, 12V Alarm Module (Includes the Following Parts)	1
1	0300-3998-02	Module, Alarm	1
2	A042Y707	Screw, Pan Head	2
3	0332-1794	Tie, Cable	4
4	0226-4696	Lead, Electrical	1

Customer Relay Kit

Item	Part No.	Description	Qty
	A044Z053	Kit, Customer Relay (Includes the Following Parts)	
1	A042Z041	Harness, Relay (Includes Parts Marked *)	1
2	A042Y727	Screw, Pan Head	2
3	A044D694	Tie, Cable	2
4	A043B108	Harness, Generator Electrical	1
5	A043E872	Screw, Pan Head	1
6	0307-2873	*Relay, Control	2
7	0332-3388	*Tie, Cable	8
8	0332-2879-02	*Rail, Terminal	1
9	0332-4320	*Block, Terminal	2
10	0332-3491-01	*Terminal, Pin	9
11	0305-1009	*Suppressor, Voltage	2

E-Stop Kit

Item	Part No.	Description	Qty
	A044Z051	Kit, E-Stop (Includes the Following Parts)	
1	A043E232	Harness, Generator Electrical	1
2	0308-1177	Bezel, Switch	1
3	0319-6766	Guard, Electrical	1

Auxiliary Input/Output Signal Kit

Item	Part No.	Description	Qty
	A044Z055	Kit, Auxiliary Input/Output Signal (Includes the Following Parts)	
1	0327-1536	Card, Input Output	1
2	A044A588	Cover, Protection	1
3	A043A230	Harness, Circuit Card	1
4	A042Y707	Screw, Pan Head	4
5	A044D694	Tie, Cable	3
6	A043B108	Harness, Generator Electrical	1
7	A043E872	Screw, Pan Head	1
8	A042X751	Guard, Electrical	1
9	A042Y727	Screw, Pan Head	3

Remote Annunciator Kit

Item	Part No.	Description	Qty
1		Kit, Annunciator – Remote (Includes Items 2 through 5)	
	A045J199	Panel Mount	1
	A045J201	With Enclosure	1
2	0332-1794	Tie, Cable	3
3	0332-1789	Splice, Window	6
4	0338-4906	Harness, Wiring	1
5		Annunciator	
	0300-5929-01	Panel Mount	1
	0300-5929-02	With Enclosure	1

Remote Bargraph Kit

Item	Part No.	Description	Qty
	A045J203	Kit, Bargraph – Remote (Includes the Following Parts)	
1	0300-6050-03	Display, Control	1
2	0323-2192-01	Connector, Plug	1
3	0332-1794	Tie, Cable	3
4	0332-1789	Splice, Window	6
5	0323-2192-04	Connector, Plug	1

Miscellaneous Accessory Kits

	A043X785	Auxiliary Contacts	
	A043X760	Installation, Shunt	
	A046L319	Enclosure Paint Touch Up Kit – 1/2 oz. Bottle (Green)	
	A043J735	Enclosure Paint Touch Up Kit – 1/2 oz. Bottle (Sandstone)	
	A046S274	Kit, Accessories – Generator Electrical Harness (Includes the Following 2 Parts)	
	A047K762	Harness, Generator Electrical	
	0332-1789	Splice, Window	

This page is Intentionally blank.

Topical Index

A

Adapter, Duct, **34**
Adapter, Exhaust, **88**
Adapter, Fuel Line, **15**
Adapter, Oil Drain, **89**
Alternator – Complete, **37**
Alternator Fasteners – UC22, **35**
Alternator Fasteners – UC27, **36**
Alternator Service Parts, **41**

B

Bar, Neutral, **125 , 127 , 131 , 133 , 137 , 139**
Barrier, Phase, **129 , 135**
Base, Barrier, **184**
Battery, **174**
Bezel, Switch, **91 , 92 , 102 , 103 , 189**
Board, Main Terminal, **41**
Box, Circuit Breaker, **125 , 127 , 129**
Box, Connection, **112**
Box, Control (PC1.1) (No Auxiliary Relay or Signals), **95**

Box, Control (PC1.1) (With Auxiliary Relay and Auxiliary Signal), **101**
Box, Control (PC1.1) (With Auxiliary Relay or Signals), **97**
Box, Control (PC1.1) (With Auxiliary Relay), **99**
Box, Control (PC2.3) (No Auxiliary Relay or Signals), **105**
Box, Control (PC2.3) (With Auxiliary Relay), **109**
Box, Control (PC2.3) (With Auxiliary Signal Control and Auxiliary Relay), **111**
Box, Control (PC2.3) (With Auxiliary Signal Control), **107**
Bracket, Filter, **25**
Breaker, Circuit, **125 , 127 , 129 , 131 , 133 , 135 , 137 , 139**
Breaker, Circuit – Lock Out, **173**
Busbar, **45**
Busbar, Neutral, **143 , 144**

C

Cable, Electrical, **13**
Cap, Fuel Tank, **57**
Cap, Pressure, **31**
Cap, Vent, **59 , 179 , 181**
Card, Control, **95 , 97 , 99 , 101 , 105 , 107 , 109 , 111**
Card, Input Output, **107 , 111 , 190**
Charger, Battery, **175**
Charger, Battery (6 Amp), **150**
Chassis (UC22), **51**
Chassis (UCD27), **49**
Circuit Breakers (125A–250A) Position "A" (Right Side), **127**
Circuit Breakers (125A–250A) Position "B" (Center), **133**
Circuit Breakers (125A–250A) Position "C" (Left Side), **139**
Circuit Breakers (15A–100A) Position "A" (Right Side), **125**
Circuit Breakers (15A–100A) Position "B" (Center), **131**
Circuit Breakers (15A–100A) Position "C" (Left Side), **137**
Circuit Breakers (400A–600A) Position "A" (Right Side), **129**
Circuit Breakers (400A–600A) Position "B" (Center), **135**
Cleaner, Air – Heavy Duty, **21 , 23**
Cleaner, Air – Normal Duty, **25**
Connector, Terminal Block, **151**
Control, Generator Set (PC1.1), **91 , 92**
Control, Genset, **189**
Cooler, Charge Air, **31**
Cooling System, **31**
Cover, Circuit Breaker Box – 1 Circuit Breaker (KV03–2), **115**
Cover, Circuit Breaker Box – 2 Circuit Breakers (KV04–2), **117 , 119**
Cover, Circuit Breaker Box – 3 Circuit Breakers (KX25–2), **121 , 123**
Cover, Plate, **184**
Cover, PMG, **41**
Cover, Protection, **190**

Index (Continued)

Cover, Terminal Enclosure, **112**

Cup, Circuit Breaker Switch, **115 , 117 , 119 , 121 , 123**

D

Display Panel (HMI 211 and E–Stop), **91**

Display Panel (HMI 211, Bargraph and E–Stop), **92**

Display Panel – PC2.3 (HMI 320 and E–Stop), **102**

Display Panel – PC2.3 (HMI 320, Bargraph and E–Stop), **103**

Display, Control, **190**

Drain, Oil, **89**

E

Enclosure (Winterized Units), **153 , 154**

Enclosure – Green (F216), **77 , 78**

Enclosure – Green (F217), **69 , 71**

Enclosure – Green (F231), **73 , 75**

Enclosure – Sandstone (F217), **81 , 83**

Enclosure – Sandstone (F231), **85 , 87**

Engine, **13**

Engine Accessories, **13 , 15 , 16**

F

Fan, Radiator, **16**

Filter, Air, **21 , 23 , 25**

Filter, Air – Replacement, **21 , 23**

Filter, Fuel, **15**

Fuse, Cartridge, **172**

G

Gauge, Electronic Fuel, **65**

Gauge, Mechanical Fuel, **64**

Gauge, Sight, **31**

Guard, Alternator, **32 , 112**

Guard, Electrical, **91 , 92 , 102 , 103 , 189**

Guard, Fan, **32**

H

Harness, Alternating Current, **148**

Harness, Circuit Card, **107 , 111 , 190**

Harness, Control, **95 , 97 , 99 , 101 , 105 , 107 , 109 , 111**

Harness, Generator Electrical, **91 , 92 , 102 , 103 , 189**

Harness, Power (Winterized Units), **170**

Harness, Relay, **109 , 111 , 189**

Heater, **41**

Heater (Winterized Units), **161 , 162**

Heater, Alternator, **43**

Heater, Cartridge, **43**

Heater, Coolant, **27 , 28**

Heater, Coolant (Winterized Units), **168 , 169**

Heater, Engine, **90 , 149**

Holddown, Battery, **49 , 51**

Holder, Fuse, **172**

Hose, Coolant, **27**

Housing, Control (Winterized Units), **165**

I

Indicator, Restriction, **21**

Isolater, Vibration, **49 , 51**

K

Kit, 12V Alarm Module, **189**

Kit, Accessories, **191**

Kit, Audible Alarm, **189**

Kit, Auxiliary Input/Output Signal, **190**

Kit, Battery Charger, **175**

Kit, Battery Heater, **176**

Kit, Complete PMG Upfit, **41**

Kit, Control Panel, **187**

Kit, Current PMG Rotor/Stator Repair, **41**

Kit, Customer Relay, **189**

Kit, Diode FRW/REV and Varistor, **41**

Kit, E–Stop, **189**

Index (Continued)

Kit, Enclosure – Green, **185**
Kit, Enclosure – Sandstone, **186**
Kit, Enclosure Paint Touch Up, **191**
Kit, Fuel System, **179 , 181 , 182 , 183 , 184**
Kit, NDE Bearing, **41**
Kit, Remote Annunciator, **190**
Kit, Remote Bargraph, **190**
Kit, Remote HMI Display (HMI 220), **189**
Kit, Tank Vent, **179 , 181**
Kits, Miscellaneous Accessory, **191**

L

Labels, **9**
Lamp, Enclosure (Winterized Units), **166 , 167**
Lead, **45**
Lead, Battery, **13**
Lead, Electrical, **189**
Leads, **44 , 141 , 142**
Line, Flexible Fuel, **49 , 51**
Link, Terminal, **44 , 45**
Lock, Plate, **173**
Louver (Winterized Units), **157**
Louver – Radiator (Winterized Units), **159**
Lug, Solderless, **125 , 127 , 129 , 131 , 133 , 135 , 137 , 139 , 143 , 144**

M

Module, Alarm, **60 , 189**
Mount, Engine, **13**

N

Neck, Filler, **57 , 58**
Neck, Filler – Fill Down, 6” from Bottom, **63**

P

Paint and Thread Sealant, **10**

Pan, Skid, **52**
Panel, Access, **49 , 51**
Panel, Alarm – High Fuel, **60**
Pin, Parallel, **46**
Pipe, Exhaust, **17 , 19 , 171**
PMG, **46**

R

Radiator, **31**
Relay, Control, **111 , 189**
Rotating Rectifier Assy, **41**
Rotor, Permanent Magnet Generator, **46**

S

Sender, Low Coolant, **33**
Sensor, Level, **65**
Service Consumables, **10**
Shield, Heat, **13**
Shroud, Fan, **32**
Shroud, Radiator, **31**
Silencer (F216), **17**
Silencer (F217, F231), **19**
Silencer (Winterized Units), **171**
Spacer, **46**
Spacer, Fan, **16**
Standoff, Insulator, **129 , 143 , 144**
Stator, Permanent Magnet, **46**
Strap, Battery, **53 , 54**
Strap, Electrical, **49 , 51**
Suppressor, Voltage, **99 , 101 , 109 , 111 , 189**
Switch, Fuel Level, **60**
Switch, High Fuel (90%), **61**
Switch, Low Fuel (40%), **62**
Switch–Fuel Tank, Rupture Basin Installed, **67**

T

Tank, Coolant, **31**

Index (Continued)

Tank, Fuel, **55**

Tank, Fuel , **58**

Tank, Fuel – Installation, **56**

Transformer, Current, **145**

Transformer, Current – Mounting, **147**

Tray, Battery, **53**

Tray, Battery – Large, **54**

V

Valve, **66**

Vent, Fuel Tank, **59 , 179 , 181**

Numerical Index

<u>Part No.</u>	<u>Page</u>	<u>Part No.</u>	<u>Page</u>	<u>Part No.</u>	<u>Page</u>	<u>Part No.</u>	<u>Page</u>
0098-6030, 27 , 168		0332-1789, 190 , 191		0503-2791-05, 27 , 168		0800-0607, 49 , 51	
0098-7646, 150		0332-1794, 31 , 43 , 46 , 71 , 75 , 78 , 81 , 85 , 90 , 147 , 148 , 150 , 161 , 169 , 170 , 176 , 189 , 190		0503-2791-06, 27 , 168		0800-2033, 184	
0130-3721-01, 31				0505-0019, 168		0800-2044, 157	
0149-2808-02, 15		0332-2634, 167		0505-0131, 27 , 168		0800-2111, 21 , 23 , 25 , 27 , 89 , 149 , 168	
0155-2175, 17 , 19 , 88 , 171		0332-2879-02, 99 , 101 , 109 , 111 , 189		0505-0172, 57 , 58		0800-3017-20, 144	
0155-2253, 88		0332-2921, 149		0505-0173, 59		0800-3017-36, 142	
0155-2305, 17 , 19 , 25 , 171		0332-2987, 44 , 45		0505-0394, 61		0800-3017-56, 13	
0159-1371-03, 59 , 179 , 181 , 182 , 183		0332-3008, 142		0508-0330, 69 , 73 , 83 , 87		0800-3017-73, 56	
0226-4696, 189		0332-3024-11, 43		0508-1122, 95 , 97 , 99 , 101		0800-3042, 166	
0232-3462-02, 46		0332-3084, 143 , 144		0508-1197, 31		0800-6294, 159	
0300-3998-02, 189		0332-3388, 99 , 101 , 109 , 111 , 189		0517-0131-03, 157		0800-6399, 95 , 97 , 99 , 101 , 105 , 107 , 109 , 111	
0300-5929-01, 190		0332-3491-01, 99 , 101 , 109 , 111 , 189		0517-0138-06, 95 , 97 , 99 , 101		0800-6441, 16	
0300-5929-02, 190		0332-3597, 129 , 135 , 143 , 144		0517-0286-02, 88		0800-6524-01, 19 , 21 , 23	
0300-6050-02, 92		0332-3647, 125 , 127 , 129 , 131 , 133 , 135 , 137 , 139		0518-0703, 89 , 149		0800-6524-02, 25	
0300-6050-03, 190		0332-4320, 99 , 101 , 109 , 111 , 189		052-45039, 16		0805-0015, 35 , 36	
0300-6314, 91 , 92		0333-0588-03, 27		0524-0668, 10		0814-2155-01, 91 , 92 , 187	
0300-6314-03, 189		0333-0747-02, 27 , 168		0526-0219, 27 , 168		0815-0709-01, 34	
0300-6315-01, 102 , 103		0337-0090, 49 , 51		0526-0238-01, 49 , 51		0815-0761-01, 46	
0300-6366-02, 103		0337-3911, 45		0526-0399-19, 45		0815-0781, 19 , 31 , 53 , 54 , 95 , 97 , 99 , 101 , 105 , 107 , 109 , 111 , 125 , 127 , 129 , 159	
0305-1009, 99 , 101 , 109 , 111 , 189		0338-4906, 190		0526-0399-54, 102 , 103		0815-0792-03, 102 , 103	
0307-2873, 99 , 101 , 109 , 111 , 189		0402-0779-02, 51		0526-0399-60, 13		0815-0829-06, 49 , 51 , 159	
0308-1038, 165		0402-0779-05, 49		0526-0399-61, 31 , 49 , 51		0815-0857-02, 19 , 31 , 32 , 52 , 91 , 92 , 95 , 97 , 99 , 101 , 102 , 103 , 105 , 107 , 109 , 111 , 112 , 115 , 117 , 119 , 121 , 123 , 125 , 127 , 129 , 137 , 139 , 159 , 165 , 170 , 171	
0308-1177, 91 , 92 , 102 , 103 , 189		0406-1234, 173		0526-0399-62, 142		0815-0857-03, 150	
0319-6766, 91 , 92 , 102 , 103 , 189		0416-1104, 13		0526-0399-64, 13		0815-0857-06, 31	
0321-0175, 172		0502-0942, 27 , 168		0526-0399-66, 56		0815-0954-03, 129 , 135	
0321-0372-06, 172		0502-1162, 31		0526-2050, 43		0815-0959-02, 187	
0323-2091, 189		0503-1133, 31		0526-2081, 184		0815-0960-04, 166	
0323-2192-01, 190		0503-1135, 27 , 168		0526-2101, 144		0818-0237-01, 165	
0323-2192-04, 190		0503-1140, 31		0526-2106, 31		0819-1165-02, 99 , 101 , 109 , 111	
0323-2456, 189		0503-1142, 31		0526-2140, 21 , 23 , 25 , 149		0819-1165-09, 95 , 97 , 99 , 101 , 105 , 107 , 109 , 111	
0323-2466, 189		0503-1870-06, 21 , 23 , 25		0725-1102, 15		0821-2061, 21 , 23 , 25	
0327-1536, 97 , 101 , 107 , 111 , 190		0503-1870-08, 25		0775-0049, 46		0821-6001-02, 46 , 125 , 127 , 131 , 133 , 137 , 139	
0331-0532, 60		0503-1870-09, 21 , 25		0800-0003, 125 , 127 , 129 , 131 , 133 , 135 , 137 , 139			
0332-0162, 142		0503-1872-04, 31		0800-0004, 143 , 144			
0332-0941, 56 , 65		0503-1872-05, 31		0800-0005, 129 , 135 , 143 , 144			
0332-0942, 154				0800-0006, 125 , 127 , 129 , 131 , 133 , 135 , 137 , 139 , 143			
0332-1389, 147				0800-0051, 45			

Numerical Index (Continued)

<u>Part No.</u>	<u>Page</u>	<u>Part No.</u>	<u>Page</u>	<u>Part No.</u>	<u>Page</u>	<u>Part No.</u>	<u>Page</u>
0821-6002-03, 27, 168		3963990, 15		A043X760, 191		A045J201, 190	
0821-6002-08, 147		45-0428, 41		A043X785, 191		A045J203, 190	
0821-6003-01, 49, 51, 69, 71, 73, 75, 77, 78, 81, 83, 85, 87, 149, 153, 154		45-0867, 41		A044A588, 190		A045M805, 71, 75, 77	
0822-3075, 43		45-0868, 41		A044B045, 35, 36		A045P632, 174	
0850-0114-55, 16, 142		45-1080, 41		A044D694, 33, 43, 46, 62, 95, 97, 99, 101, 105, 107, 109, 111, 150, 161, 167, 176, 189, 190		A045T375, 60, 61	
0850-2004, 43		450-14450, 41		A044E872, 97		A045T423, 60	
0850-2006, 46, 143, 144		450-15617, 41		A044F254, 9, 112, 165		A045T464, 66	
0850-2008, 144		4894721, 15		A044F269, 125, 127, 129, 131, 133, 135, 137, 139		A045T481, 58	
0850-2010, 46		4995591, 15		A044G477, 49, 51, 53, 54		A045U164, 129, 135	
0851-0027, 125, 127, 129, 131, 133, 135, 137, 139, 143, 144		518-0601, 10		A044H599, 125, 127, 129, 131, 133, 135, 137, 139		A045U169, 129, 135	
0851-0028, 129, 135		5314964, 15		A044L228, 71, 75, 77, 81		A045Z195, 57	
0853-2006, 105, 107, 109, 111, 162		5318803, 15		A044M619, 9		A045Z943, 69, 73, 83, 87, 153, 154	
0853-2008, 69, 71, 73, 75, 77, 78, 81, 83, 85, 87, 153, 154, 157		5364386, 15		A044M633, 9		A046A715, 35, 36	
0856-0006, 95, 97, 99, 101, 105, 107, 109, 111, 112, 115, 117, 119, 121, 123, 125, 127, 129, 131, 133, 135, 137, 139, 165, 170		A028X740, 28		A044V681, 23		A046C014, 52	
0856-0010, 49, 51, 95, 97, 99, 101, 105, 107, 109, 111, 125, 127, 129		A029G217, 13		A044Y564, 9		A046D267, 28, 151	
0856-0013, 13		A029H218, 179, 181, 182, 183		A044Z051, 189		A046D848, 19	
0860-2005, 43		A029M562, 46		A044Z053, 189		A046D850, 19, 171	
0860-2008, 13, 144		A035B577, 142		A044Z055, 190		A046E208, 184	
0862-0001, 143, 144		A041J582, 189		A044Z185, 133, 139		A046G477, 28, 43, 90, 150, 169, 176	
0862-0026-58, 56		A042N319, 46		A044Z186, 127, 133, 139		A046L319, 191	
0862-0044, 49, 51		A042N860, 31, 125, 127, 129, 131, 133, 135, 137, 139, 149		A044Z187, 127, 133, 139		A046P417, 66	
0870-0235, 161		A042X751, 190		A044Z189, 127, 133, 139		A046S274, 191	
0870-0550-09, 45		A042Y707, 189, 190		A044Z204, 127, 133, 139		A046T081, 69, 73, 83, 87, 153	
0870-2055, 21, 23, 25, 129, 135		A042Y727, 189, 190		A044Z205, 127, 133, 139		A046V520, 59	
0870-2065-02, 52, 157		A042Z041, 99, 101, 109, 111, 189		A044Z206, 125, 131, 137		A046V710, 56	
0870-2065-03, 69, 71, 73, 75, 77, 78, 81, 83, 85, 87, 157, 179, 181, 182, 183		A043A230, 97, 101, 107, 111, 190		A044Z207, 125, 131, 137		A047A967, 179, 181, 182, 183	
0895-0381, 69, 73, 77, 83, 87		A043B108, 97, 99, 101, 107, 109, 111, 189, 190		A044Z208, 125, 131, 137		A047B242, 179, 181, 182, 183	
0898-1389, 147		A043D534, 174		A044Z209, 125, 131, 137		A047C587, 31	
		A043E232, 91, 92, 102, 103, 189		A044Z210, 125, 131, 137		A047C748, 179, 181, 182, 183	
		A043E872, 99, 101, 107, 109, 111, 170, 189, 190		A044Z211, 125, 131, 137		A047C752, 179, 181, 182, 183	
		A043F059, 189		A044Z212, 125, 131, 137		A047D352, 144	
		A043J735, 191		A044Z213, 125, 131, 137		A047E480, 115, 117, 119, 121, 123	
		A043J739, 81		A044Z214, 125, 131, 137		A047G956, 95, 97, 99, 101, 105, 107, 109, 111	
		A043M499, 9		A044Z215, 125, 131, 137		A047K009, 89	
		A043W505, 95, 97, 99, 101		A044Z216, 125, 131, 137		A047K509, 179, 181, 182, 183	
				A045J199, 190			

Numerical Index (Continued)

<u>Part No.</u>	<u>Page</u>	<u>Part No.</u>	<u>Page</u>	<u>Part No.</u>	<u>Page</u>	<u>Part No.</u>	<u>Page</u>
A047K704, 10, 21		A048G949, 31		A049M644, 39		A050L611, 52	
A047K707, 21		A048G965, 95, 97, 99, 101, 105, 107, 109, 111, 112, 165		A049M648, 39		A050M046, 27, 168	
A047K762, 191		A048H191, 95, 97, 99, 101, 105, 107, 109, 111		A049M652, 37		A050M049, 27	
A047M180, 10, 25		A048J249, 31		A049M655, 37, 39		A050M202, 52, 184	
A047M818, 23		A048K751, 69, 83, 153		A049M657, 39		A050M206, 52, 184	
A047R282, 16		A048M385, 71, 75, 81, 85		A049M660, 37		A050N782, 31	
A047U542, 17		A048M458, 81, 85		A049M662, 39		A050N784, 143, 144	
A047U747, 125, 127, 131, 133, 137, 139		A048M651, 69, 71, 81, 83, 153		A049M664, 37, 39		A050P481, 71, 75, 78, 81, 85	
A047V389, 145		A048M825, 69, 73, 83, 87, 157		A049M668, 37, 38		A050P483, 49, 51, 69, 71, 73, 75, 77, 81, 83, 85, 87, 153, 157, 162, 185, 186	
A047V393, 145		A048M830, 69, 73, 83, 87		A049M671, 38, 39		A050P514, 31	
A047V394, 145		A048M837, 69, 73, 83, 87		A049M673, 37, 38		A050P694, 127	
A047V395, 145		A048M843, 69, 73, 83, 87		A049M680, 37, 38, 39		A050P695, 127, 133, 139	
A047V396, 145		A048M847, 69, 73, 83, 87		A049M682, 37, 38		A050R300, 129, 135	
A047V397, 145		A048N088, 31		A049M684, 37, 38		A050R766, 69, 73, 83, 87	
A047W290, 95, 97, 99, 101, 105, 107, 109, 111		A048P759, 112		A049M686, 38, 39		A050R829, 141	
A047W504, 19, 171		A048P804, 54		A049M689, 39		A050R831, 141	
A047Z323, 71, 75, 81, 85		A048S513, 13		A049M696, 37, 38, 39		A050R832, 141	
A047Z325, 71, 75, 81, 85		A048T648, 56		A049M716, 37, 38, 39		A050R836, 141	
A047Z339, 69, 83, 153, 185, 186		A048T764, 102, 103		A049M720, 37, 38, 39		A050R837, 141	
A048C269, 185		A048U555, 49, 51		A049V689, 43		A050R838, 141	
A048C271, 69, 73, 77, 83, 87		A048V152, 31		A049Z457, 19		A050R839, 141	
A048C835, 148		A048V153, 31, 69, 73, 77, 83, 87		A049Z459, 19		A050R840, 141	
A048E352, 115, 117, 119, 121, 123		A048V154, 31		A050A053, 34		A050R841, 141	
A048F734, 31		A048V222, 142		A050A055, 34		A050R842, 44, 45, 141	
A048F738, 31		A048W223, 36		A050A057, 34		A050R843, 141	
A048F744, 31		A048Z405, 53		A050B660, 19, 171		A050R844, 141	
A048G602, 175		A049C489, 102, 103		A050C252, 179		A050R845, 141	
A048G835, 31		A049E982, 41, 46		A050D494, 125, 127, 129		A050R846, 141	
A048G912, 9		A049H452, 69, 73, 83, 87, 153		A050E021, 115, 117, 119, 121, 123		A050R847, 141	
A048G915, 9		A049H454, 69, 71, 73, 75, 77, 78, 81, 83, 87, 153, 157		A050E026, 115, 117, 119		A050R848, 141	
A048G917, 9		A049H572, 69, 73, 83, 87		A050F602, 129, 135		A050R849, 141	
A048G919, 9		A049H744, 105, 107, 109, 111, 167, 170		A050G752, 125, 127, 129, 131, 133, 135, 137, 139		A050R850, 141	
A048G921, 9		A049M637, 39		A050G754, 129		A050R851, 141	
A048G923, 9		A049M640, 39		A050H196, 9		A050R854, 141	
A048G925, 9				A050H226, 9		A050R856, 142	
A048G927, 9				A050H838, 34		A050R857, 142	
A048G929, 9				A050J258, 95, 97, 99, 101		A050T121, 21	
				A050J260, 95, 97, 99, 101, 105, 107, 109, 111		A050T808, 13	
						A050U499, 92	

Numerical Index (Continued)

<u>Part No.</u>	<u>Page</u>	<u>Part No.</u>	<u>Page</u>	<u>Part No.</u>	<u>Page</u>	<u>Part No.</u>	<u>Page</u>
A050U501, 91		A052M818, 77		A053Y033, 32		A057E821, 43	
A050W991, 16		A052M820, 69 , 73 , 153		A053Y036, 32		A058F021, 31	
A050Y289, 115 , 117 , 119 , 121 , 123		A052M822, 69 , 73 , 153		A053Y706, 39		A058F810, 9	
A050Y446, 89		A052N201, 147		A053Y714, 37 , 39		A059F868, 13	
A050Y622, 125 , 127 , 129 , 137 , 139		A052N205, 147		A054C849, 181		A059W839, 49 , 51	
A050Y809, 95 , 97 , 99 , 101 , 105 , 107 , 109 , 111 , 125 , 127 , 129		A052N209, 147		A054D634, 67		A059Z995, 49 , 51	
A051A290, 112 , 165		A052T045, 129 , 135		A054D636, 67		A060D569, 71 , 75 , 81 , 85	
A051A292, 112 , 165		A052U030, 41 , 46		A054D637, 67		A060H419, 187	
A051B653, 176		A052U299, 9		A054D638, 67		A060M236, 182 , 183	
A051B859, 31		A052W962, 31		A054D639, 67		A060P383, 159	
A051C650, 112 , 165		A052W966, 31		A054D642, 67		A060P388, 159	
A051C812, 112 , 165		A052W968, 31		A054D953, 105 , 107 , 109 , 111		A060P582, 171	
A051F338, 90		A052W975, 31		A054E522, 49 , 51		A060T422, 157	
A051G977, 127 , 133 , 135 , 139		A052W978, 19 , 171		A054E524, 15		A060U494, 157	
A052A179, 41		A052Z035, 31		A054E921, 63		A060U863, 157	
A052A237, 17		A052Z191, 49 , 51		A054E924, 63		A060U968, 165	
A052C711, 31		A052Z449, 13		A054E925, 63		A060V266, 69 , 73 , 157	
A052H541, 125 , 127 , 129 , 137 , 139		A053H409, 55		A054G163, 64		A060V582, 157	
A052K217, 71 , 75 , 78 , 81 , 85		A053H411, 55		A054G164, 64		A060V997, 159	
A052K260, 83 , 87		A053H412, 55		A054G165, 64		A060X049, 170	
A052K276, 81 , 85		A053H623, 95 , 97 , 99 , 101 , 105 , 107 , 109 , 111		A054H761, 66		A060X063, 170	
A052K343, 77		A053J199, 21 , 25		A054H762, 66		A060X610, 38	
A052K387, 71		A053J202, 25		A054H764, 66		A060X612, 38	
A052K399, 186		A053J206, 25		A054J324, 60 , 61		A060X755, 38	
A052K447, 83 , 87		A053J304, 102		A054J325, 60 , 61		A060X756, 38	
A052K450, 81 , 85		A053J306, 103		A054J405, 62		A060X757, 38	
A052K463, 83 , 87		A053J782, 23		A054J406, 62		A060Y995, 157	
A052K467, 83 , 87		A053L909, 55		A054J407, 62		A060Z167, 166	
A052K469, 69 , 73 , 83 , 87 , 153		A053L911, 55		A054K430, 65		A061C565, 157	
A052K611, 13		A053L912, 55		A054K431, 65		A061C879, 83 , 87	
A052L440, 83 , 87		A053P721, 17		A054K432, 65		A061D075, 159	
A052M787, 71 , 75 , 78		A053R492, 95 , 97 , 99 , 101 , 105 , 107 , 109 , 111		A054T548, 31		A061D274, 159	
A052M797, 69 , 73 , 77		A053T067, 105 , 107 , 109 , 111		A055C855, 31		A061D277, 159	
A052M805, 71		A053T310, 149		A055C861, 31		A061D821, 182 , 183	
A052M814, 69 , 73		A053X100, 21 , 23 , 25		A055C981, 21 , 25		A061D888, 182	
A052M816, 71 , 75		A053X271, 184		A055G562, 33		A061D898, 183	
		A053Y021, 31		A055P610, 115 , 117 , 119 , 121 , 123		A061D918, 157	
		A053Y025, 32		A056L369, 150		A061D920, 157	
		A053Y029, 32		A056X638, 9		A061E732, 161	
				A056Z310, 9			

Numerical Index (Continued)

<u>Part No.</u>	<u>Page</u>	<u>Part No.</u>	<u>Page</u>	<u>Part No.</u>	<u>Page</u>	<u>Part No.</u>	<u>Page</u>
A061E916, 166		A061K240, 78		A062H516, 157		A062X982, 161	
A061F249, 165		A061K246, 78		A062H520, 157		A062Y572, 165	
A061F251, 165		A061K250, 78		A062H522, 157		A063B833, 161	
A061F525, 165		A061K631, 51		A062H524, 157		A063D834, 161	
A061G446, 153		A061K638, 49		A062J944, 153		A063F589, 161	
A061G448, 153		A061M241, 9		A062K949, 153 , 157		RSK-2001, 41	
A061G939, 78		A061N699, 77		A062L351, 157			
A061G947, 77		A062H493, 157		A062L589, 165			

This page is Intentionally blank.

power.cummins.com

Copyright © 2019 Cummins Inc. All rights reserved.

Cummins, the "C" logo, PowerCommand, AmpSentry, and InPower are trademarks of Cummins Inc.

Other company, product, or service names may be trademarks or service marks of others.

Specifications are subject to change without notice.

